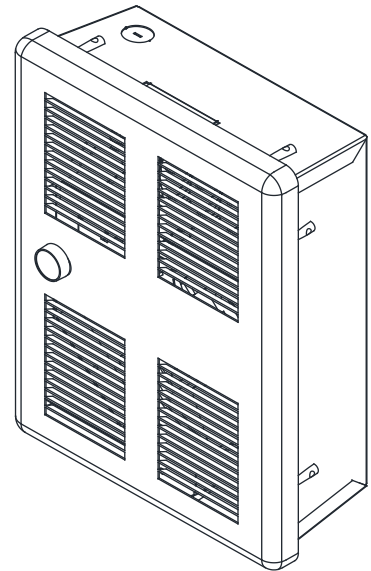


- Heavy 18 gauge steel construction
- Powder coated paint finish
- Finned tubular steel element
- All units equipped with manual reset thermal limit
- Propeller style fan blade produces 70 CFM
- Dual wattage and voltage units available for 208/240 volts
- Surface Mounting Frames available for non-recessed and semi-recessed applications
- Optional field installed In-Built thermostat (see catalog for additional options)



Standard Models

MFG CATALOG NUMBER	MFG MODEL NUMBER	VOLTS	WATTS	MAX BTUs	AMPS
BUILT-IN DOUBLE POLE (POSITIVE OFF) THERMOSTAT 40° - 100° F RANGE					
03834602	F3220T2RPW	208	2000	6826	9.6
03834702	H3275T2RPW	240	750	2560	3.1
03834802	HF3210T2RPW	240/208	1000 / 750	3413 / 2560	4.2 / 3.6
03834902	HF3215T2RPW		1500 / 1125	5120 / 3840	6.3 / 5.4
03835002	HF3220T2RPW		2000 / 1500	6826 / 5120	8.3 / 7.2
03835102	HF3222T2RPW		2250 / 1688	7680 / 5762	9.4 / 8.1
Standard Models - BUILT-IN SINGLE POLE (POSITIVE OFF) THERMOSTAT 40° - 100° F RANGE					
03835202	E3275TRPW	120	750	2560	6.25
03835302	E3210TRPW		1000	3413	8.33
03835402	E3215TRPW		1500	5120	12.5
NO BUILT-IN THERMOSTAT					
03835502	E3275RPW	120	750	2560	6.25
03835602	E3210RPW		1000	3413	8.33
03835702	E3215RPW		1500	5120	12.5
03835802	F3220RPW	208	2000	6826	9.6
03835902	H3275RPW	240	750	2560	3.1
03836002	HF3210RPW	240/208	1000 / 750	3413 / 2560	4.2 / 3.6
03836102	HF3215RPW		1500 / 1125	5120 / 3840	6.3 / 5.4
03836202	HF3220RPW		2000 / 1500	6826 / 5120	8.3 / 7.2
03836302	HF3222RPW		2250 / 1688	7680 / 5762	9.4 / 8.1

Accessories

FIELD INSTALLED COMPONENTS		
MFG CATALOG NUMBER	MFG MODEL NUMBER	DESCRIPTION
03836402	32T1	Single Pole thermostat with positive off for 120V units 40° - 100° F
03836502	32T2	Double Pole thermostat with positive off for 240/208V units 40° - 100° F

SURFACE MOUNTED EXTENDERS & FRAMES		
WHITE		DESCRIPTION
MFG CATALOG NUMBER	MFG MODEL NUMBER	
09969702	303EX8RW	1" EXTENDER
09969602	303EX16RW	2" EXTENDER
09969502	303EX32RW	4" SURFACE MOUNT FRAME