

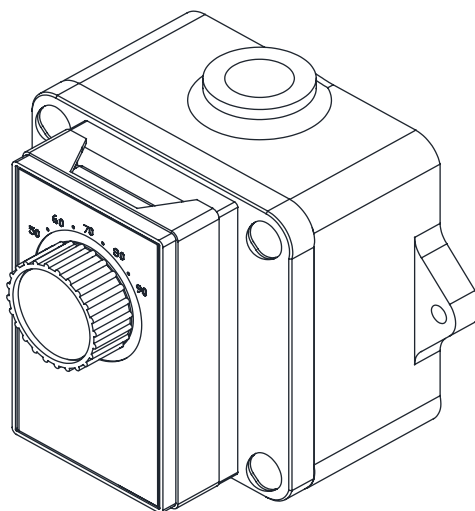


MADE IN
THE U.S.A.

EPET SERIES

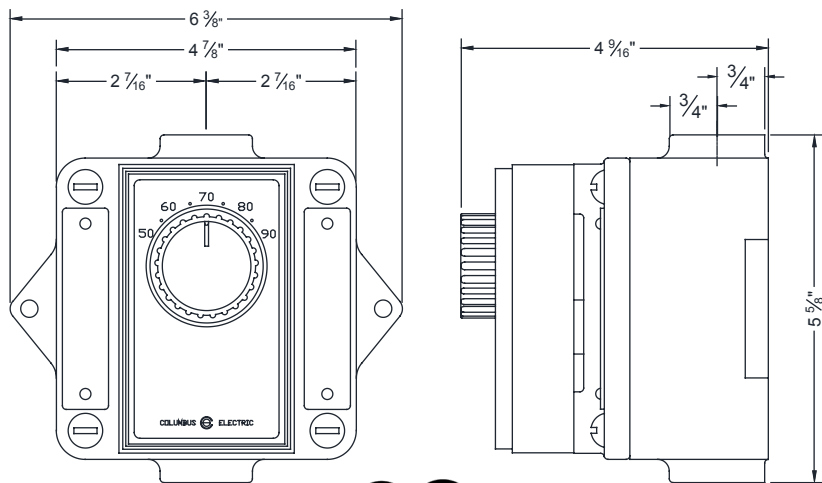
Hazardous Location Thermostats

CUSTOMER		DATE:	
PROJECT			
LOCATION			
ARCHITECT			
ENGINEER			
CONTRACTOR			
SUBMITTED			
APPROVED BY			
APPROVED BY			



Features:

- SPDT Models
- DPDT Models
- Snap Action Switches
- Casting Tapped Top & Bottom for 3/4" Conduit
- Bi-Metal Temperature Sensor
- 1/2" Thick Aluminum Explosion/ Dust Proof Case
- Includes (1) 3/4" to 1/2" Conduit Adapter
- Includes (1) Conduit Plug
- Screw Terminal Connections



Operational Specifications:

Setpoint Temperature Range
50-90° F / 10-32°C

Rated Differential
2-4°F

Voltage
120-277VAC or 480VAC

AMP Rating
22 amps, Resistive Max

Approvals
Class I Group C&D
Class II Group E, F & G
NEMA Class Seven Div I

MODEL	PCN #	DESCRIPTION	VOLTAGE	AMPS	POSITIVE OFF	ANTICIPATOR
EPETD8D	05380702	DPDT Hazardous Location	120-277VAC	22 Amps Max	No	No
EPETD8S	05381002	SPDT Hazardous Location	120-277VAC	22 Amps Max	No	No
EPETP8D	05280702	DPDT Hazardous Location	480VAC	22 Amps Max	No	No
EPETP8S	05280602	SPDT Hazardous Location	480VAC	22 Amps Max	No	No