

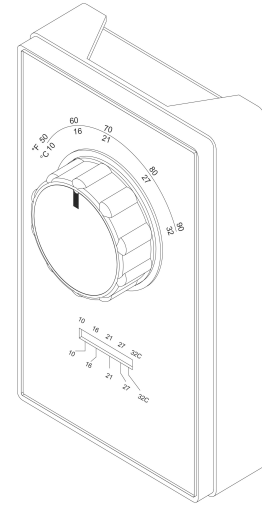


MADE IN THE U.S.A.

ET9 SERIES

Line Voltage Thermostats

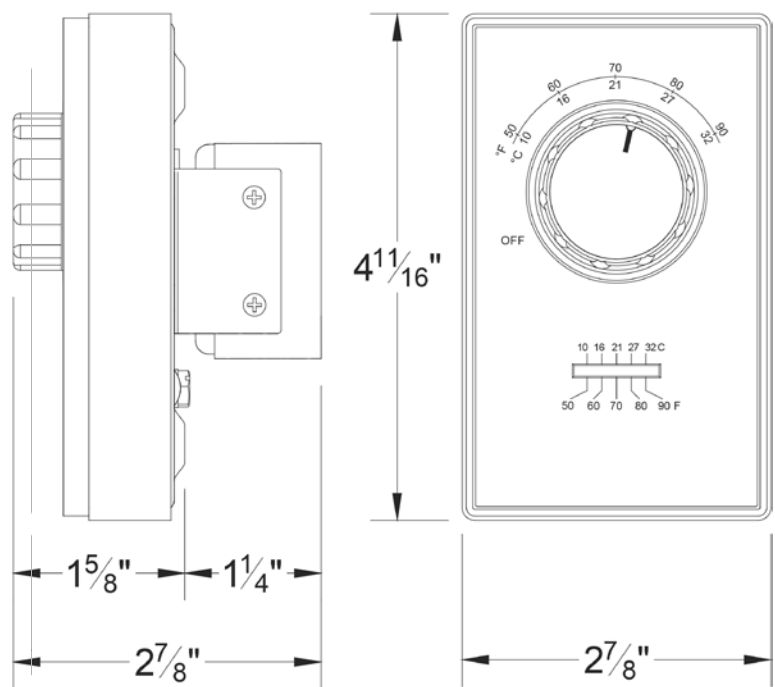
SALES ORDER NO.		QUOTE:	
CUSTOMER		DATE:	
PROJECT			
SALES REP			
ENGINEER			
CONTRACTOR			
SUBMITTED BY			
SUBMITTED BY			
APPROVED BY			
APPROVED BY			



SUBMITTAL DATA SHEET

QTY	MODEL	TAG	RANGE	CONNECTIONS	POS. OFF	ANTICIPATOR

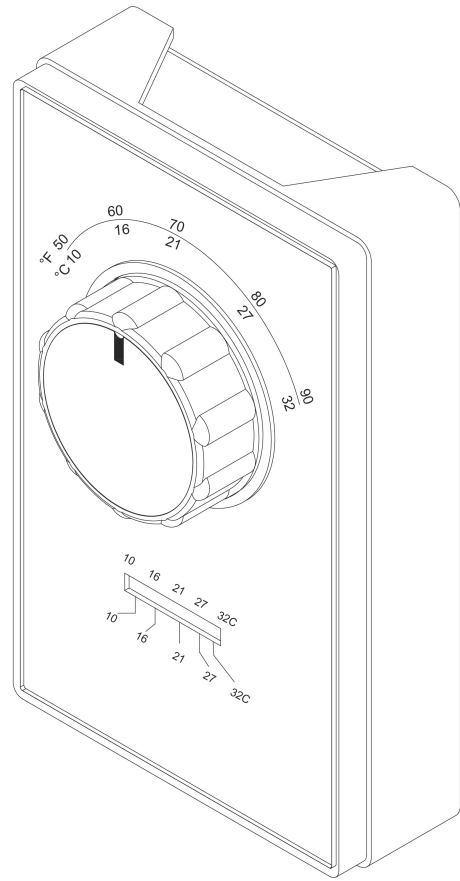
NOTES/
SPECIAL



- Single pole and double pole
- Heat only, cool only, & heat or cool
- DP models include positive off
- Celsius and Fahrenheit temperature scale
- Thermometer standard
Glass, Alcohol filled
- Heating: 22A @ 120-277VAC resistive
- Cooling: 3/4HP @ 125VAC / 1.5HP @ 250/277 VAC
- Range: 50-90°F (unless otherwise noted)
- Rough in dimensions: 4.75"H x 2.9"W x 1.5"D
Depth is from wall to top of knob.
- Imported to TPI Specifications

Product Description

The ET Series Two-Position Room Thermostat are wall mounted line voltage thermostats suitable for direct connection with any resistance heating elements and unit heaters. This thermostat has a snap action switch operated by a bimetal actuator and is available in single pole, double pole with positive off, two stage heat. Cooling only and heat or cool models. Thermometer comes as standard on all models. Standard temperature range is 50-90°F (35-75°F available on certain models).



Models

MFG MODEL NUMBER	MFG CATALOG NUMBER	DESCRIPTION	RANGE	CONNECTIONS	POS. OFF	ANTICIPATOR
AET9DWTS	05238302	DPST Heat Only	50-90°F	Wire Leads	Yes	Yes
AET9SWTS	05238402	SPST Heat Only	50-90°F	Wire Leads	No	Yes
ET9DTS	05238502	DPST Heat Only	50-90°F	Terminals	Yes	No
ET9D4TS	05238602	DPST Heat Only	35-75°F	Terminals	Yes	No
ET9DWTS	05238702	DPST Heat Only	50-90°F	Wire Leads	Yes	No
ET9MTS	05238502	2 Stage Heat Only	50-90°F	Terminals	No	No
ET9STS	05238902	SPST Heat Only	50-90°F	Terminals	No	No
ET9S4TS	05239002	SPST Heat Only	35-75°F	Terminals	No	No
ET9SRSTS	05239102	SPST Cool Only	50-90°F	Terminals	No	No
ET9SWTS	05239202	SPST Heat Only	50-90°F	Wire Leads	No	No
ETD9MTS*	05239302	2 Stage Heat, 1 Stage Cool	50-90°F	Terminals	No	No
ETD9STS	05239402	SPDT Heat or Cool	50-90°F	Terminals	No	No

* The 2 stage / 1 stage cool models may also be used as 1 stage heat / 1 stage cool deadband thermostat.