

HEAVY DUTY YELLOW AIR CIRCULATOR

FACTORY ASSEMBLED & TESTED FAN HEADS AND MOUNTS



**HDM-W
WALL MOUNT**



**HDM-I
I-BEAM MOUNT**



**HDM-C
CEILING MOUNT**

SAFETY YELLOW POWDER COATED GUARDS AND MOUNTS

SIZE	24" & 30"
MOTOR	2-speed, 1/2 HP, 1 Ph., 120V ball bearing, totally enclosed permanently lubricated permanent split capacitor.
SWITCH	Pull Chain
CORD	SJT type 3 conductor, 12' long
GUARDS	Powder coated steel
BLADE	Steel hub/spider aluminum paddles



Meets OSHA Standards • 5 Year Limited Warranty

**HDH-30 FAN HEAD
WITH HDM-P
PEDESTAL MOUNT**

SIZE	FAN HEAD	CFM		AMPS
		HIGH	LOW	HIGH
24"	HDH 24	8600	6500	3.5
30"	HDH 30	9850	7500	4.0

Pedestal pole adjusts the center of fan from 52" to 82" and bolts to 27" diameter steel dome base with 5 carriage bolts.

STYLE NUMBER	SIZE	FAN TYPE	FAN HEAD		MOUNT		SHIPPING WT. (LBS.)	HEAD LIST	MOUNT LIST	TOTAL LIST
			UPC 686334	MODEL	UPC 686334	MODEL				
----		Fan Head		HDH 24	----	----	44	517	----	517
HD 24-P	24"	Pedestal Fan		HDH 24	796095	HDM-P	78	517	156	673
HD 24-W		Wall Mount Fan	796071	HDH 24	796101	HDM-W	47	517	61	578
HD 24-I		I-Beam Mount Fan		HDH 24	796118	HDM-I	53	517	117	634
HD 24-C		Ceiling Mount Fan		HDH 24	796125	HDM-C	47	517	67	584
----			Fan Head		HDH 30	----	----	48	528	----
HD 30-P	30"	Pedestal Fan		HDH 30	796095	HDM-P	82	528	156	684
HD 30-W		Wall Mount Fan	796088	HDH 30	796101	HDM-W	51	528	61	589
HD 30-I		I-Beam Mount Fan		HDH 30	796118	HDM-I	57	528	117	645
HD 30-C		Ceiling Mount Fan		HDH 30	796125	HDM-C	51	528	67	595
			Optional Wheel Kit			868136	ACM-WK	4	----	----



ASSEMBLED CIRCULATOR HEADS & MOUNTS



EIGHT FACTORY ASSEMBLED & TESTED FAN HEADS THAT CAN BE USED WITH ANY OF THE SIX TPI INDUSTRIAL MOUNTS.

MOTOR 2-speed, 120V, 1 Ph., ball bearing, totally enclosed, permanently lubricated permanent split capacitor.

SWITCH Pull Chain

CORD SJT type 3 conductor, 12' long

GUARDS Coated steel

BLADE Steel hub/spider & aluminum paddles

Meets OSHA Standards



- Oscillating model oscillates in a 90° arc or can be locked in a fixed position. Metal gears in the oscillating mechanism allow the fan to operate at a maximum 30° downward tilt.

		HEAVY DUTY			HIGH PERFORMANCE			STANDARD INDUSTRIAL			OSCILLATING		
FAN HEAD	HP	1/2			1/3			1/4			1/4		
	TYPE	STATIONARY			STATIONARY			STATIONARY			OSCILLATING		
CFM WEIGHT AMPS	24"	8600 / 7100	44 lbs.	3.5	7000 / 5200	40 lbs.	3.0	6800 / 5000	40 lbs.	2.5	6800 / 5000 / 4100	44 lbs.	2.5
	30"	9850 / 8100	48 lbs.	4.0	8200 / 6200	44 lbs.	3.4	7900 / 6000	44 lbs.	2.7	7900 / 6000 / 4750	48 lbs.	2.5
WARRANTY		5 YEARS			3 YEARS			1 YEAR			1 YEAR		
	SIZE	UPC 686334	MODEL	LIST	UPC 686334	MODEL	LIST	UPC 686334	MODEL	LIST	UPC 686334	MODEL	LIST
	24"	853927	HDH-24G	495	798983	IHP 24-H	378	796163	ACH 24	295	796361	ACH 24-O	456
	30"	852869	HDH-30G	512	798990	IHP 30-H	395	796170	ACH 30	306	796378	ACH 30-O	473



PEDESTAL



WALL MOUNT



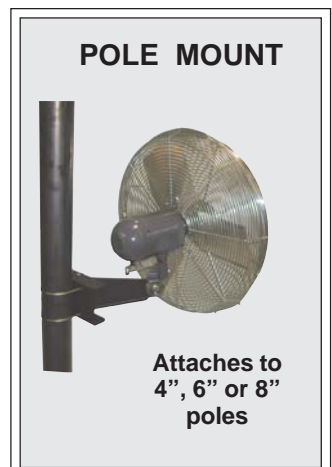
CEILING MOUNT



I-BEAM MOUNT



SUSPENSION MOUNT

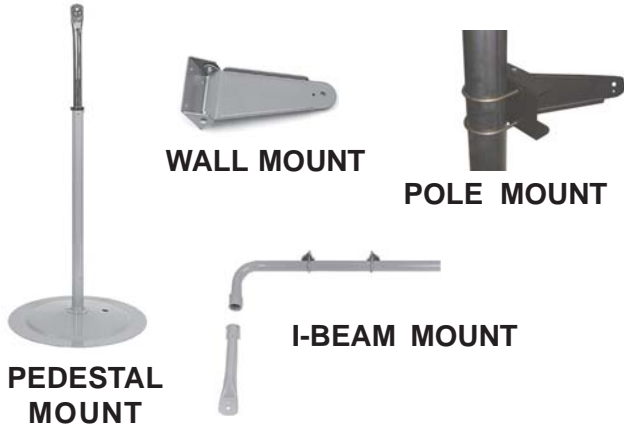


POLE MOUNT

Attaches to 4", 6" or 8" poles



ASSEMBLED CIRCULATOR HEADS & MOUNTS



WALL MOUNT

POLE MOUNT

PEDESTAL MOUNT

I-BEAM MOUNT



OPTIONAL PEDESTAL WHEEL KIT with 10" RUBBER WHEELS



CEILING MOUNT

SUSPENSION MOUNT

CIRCULATOR MOUNT	MODEL NUMBER	UPC CODE 686334	SHIPPING WEIGHT	LIST PRICE
Pedestal	ACM-P	796187	34 lbs.	150
Wall Mount	ACM-W	796194	3 lbs.	56
I-Beam Mount	ACM-I	796200	9 lbs.	111
Ceiling Mount	ACM-C	796217	3 lbs.	61
Suspension Mount	ACM-S	796224	2 lbs.	50
Pole Mount	ACM-PM	868181	5 lbs.	78
Optional Wheel Kit	ACM-WK	868136	4 lbs.	72

- Pedestal pole adjusts the center of fan from 52" to 82" and bolts to 27" diameter steel dome base with 5 carriage bolts.
- I-beam mount & ceiling mount require 1 1/2" or longer pipe nipple for assembly. (not supplied)
- Pole mount attaches to 4", 6" or 8" with U-bolts (not supplied)
- Oscillating motors can only be used with any mount when motor can be mounted in the upright position.

STYLE NUMBER SUMMARY

1/3 HP INDUSTRIAL HIGH PERFORMANCE

STYLE NUMBER	SIZE	FAN TYPE	MODEL NUMBER		SHIPPING WT. (LBS.)	HEAD LIST	MOUNT LIST	TOTAL LIST
			FAN HEAD	MOUNT				
IHP 24-P	24"	Pedestal Fan	IHP 24-H	ACM-P	75	378	150	528
IHP 24-W		Wall Mount Fan		ACM-W	45		56	434
IHP 24-I		I-Beam Mount Fan		ACM-I	50		111	489
IHP 24-C		Ceiling Mount Fan		ACM-C	45		61	439
IHP 24-S		Suspension Mount		ACM-S	43		50	428
IHP 24-PM		Pole Mount		ACM-PM	46		78	456
IHP 30-P	30"	Pedestal Fan	IHP 30-H	ACM-P	78	395	150	545
IHP 30-W		Wall Mount Fan		ACM-W	48		56	451
IHP 30-I		I-Beam Mount Fan		ACM-I	53		111	506
IHP 30-C		Ceiling Mount Fan		ACM-C	48		61	456
IHP 30-S		Suspension Mount		ACM-S	46		50	445
IHP 30-PM		Pole Mount		ACM-PM	49		78	473

1/4 HP STANDARD INDUSTRIAL

AC 24-P	24"	Pedestal Fan	ACH 24	ACM-P	75	295	150	445
AC 24-W		Wall Mount Fan		ACM-W	45		56	351
AC 24-I		I-Beam Mount Fan		ACM-I	50		111	406
AC 24-C		Ceiling Mount Fan		ACM-C	45		61	356
AC 24-S		Suspension Mount		ACM-S	43		50	345
AC 24-PM		Pole Mount		ACM-PM	46		78	373
AC 30-P	30"	Pedestal Fan	ACH 30	ACM-P	78	306	150	456
AC 30-W		Wall Mount Fan		ACM-W	48		56	362
AC 30-I		I-Beam Mount Fan		ACM-I	53		111	417
AC 30-C		Ceiling Mount Fan		ACM-C	48		61	367
AC 30-S		Suspension Mount		ACM-S	46		50	356
AC 30-PM		Pole Mount		ACM-PM	49		78	384

1/4 HP OSCILLATING INDUSTRIAL

AC 24-PO	24"	Pedestal Fan	ACH 24-O	ACM-P	79	456	150	606
AC 24-WO		Wall Mount Fan		ACM-W	49		56	512
AC 24-PMO		Pole Mount		ACM-PM	52		78	534
AC 30-PO	30"	Pedestal Fan	ACH 30-O	ACM-P	82	473	150	623
AC 30-WO		Wall Mount Fan		ACM-W	52		56	529
AC 30-PMO		Pole Mount		ACM-PM	55		78	551



UNASSEMBLED CIRCULATORS

**MOTOR • BLADE • GUARDS • MOUNT
PACKED IN SINGLE UPS-able CARTON**



MOTOR 2-speed, 120V, 1 Ph., ball bearing, totally enclosed, permanently lubricated permanent split capacitor.

SWITCH Pull Chain

CORD SJT type 3 conductor, 12' long

GUARDS Coated steel

BLADE Steel hub/spider & aluminum paddles

- Oscillating model oscillates in a 90° arc or can be locked in a fixed position. Metal gears in the oscillating mechanism allow the fan to operate at a maximum 30° downward tilt.



		HIGH PERFORMANCE				STANDARD INDUSTRIAL				OSCILLATING			
MOTOR	HP	1/3				1/4				1/4			
	SPEEDS	2				2				2			
CFM	24"	7000 / 5200	3.2			6800 / 5000	2.5			6800 / 5000	3.0		
AMPS	30"	8200 / 6200	3.4			7900 / 6000	2.7			7900 / 6000	3.4		
COLOR		GRAY				GRAY				GRAY			
POLE ADJUSTMENT		52" to 82"				43" to 60"				52" to 82"			
WARRANTY		3 YEARS				1 YEAR				1 YEAR			
SIZE	TYPE of MOUNT	UPC 686334	MODEL	WT. (lbs.)	LIST	UPC 686334	MODEL	WT. (lbs.)	LIST	UPC 686334	MODEL	WT. (lbs.)	LIST
24"	Pedestal Mount	799003	UHP 24-P	75	512	796231	ACU 24-P	75	381	796408	ACU 24-PO	79	578
	Wall Mount	799027	UHP 24-W	45	417	796248	ACU 24-W	45	317	796415	ACU 24-WO	49	484
	I-Beam Mount	799034	UHP 24-I	50	473	796255	ACU 24-I	50	373		----		---
	Ceiling Mount	799041	UHP 24-C	45	423	796262	ACU 24-C	45	323		----		---
	Suspension Mount	799058	UHP 24-S	43	412	796279	ACU 24-S	43	311		----		---
30"	Pedestal Mount	799010	UHP 30-P	78	528	796286	ACU 30-P	78	391	796422	ACU 30-PO	82	590
	Wall Mount	799065	UHP 30-W	48	434	796293	ACU 30-W	48	328	796439	ACU 30-WO	52	495
	I-Beam Mount	799072	UHP 30-I	53	489	796309	ACU 30-I	53	384		----		---
	Ceiling Mount	799089	UHP 30-C	48	439	796316	ACU 30-C	48	334		----		---
	Suspension Mount	799096	UHP 30-S	46	428	796323	ACU 30-S	46	323		----		---



20" CIRCULATORS



PEDESTAL



WALL MOUNT



Meets OSHA Standards
1 Year limited warranty

MOTOR	2-speed, 1/6 HP, 120V, 1 Ph., ball bearing, totally enclosed, permanently lubricated permanent split capacitor.
SWITCH	Pull Chain
CORD	SJT type 3 conductor, 12' long
GUARDS	Coated steel
BLADE	Steel hub/spider & aluminum paddles

UPC 686334	MODEL	STYLE	TYPE of MOUNT	CFM	AMPS	WT. (lbs.)	LIST
868143	ACU 20-P	Unassembled all components and mount in one box	Pedestal Mount	5600 / 4100	2.4	72	350
868150	ACU 20-W		Wall Mount			42	263
868471	ACH 20	Assembled Fan Head	None - use w ith any TPI "ACM" or "CACM" Mount			39	252

COMMERCIAL CIRCULATORS



MOTOR 1/4 hp, 2-speed, 120V, 1 Ph., ball bearing, open ventilated, permanently lubricated permanent split capacitor.

SWITCH Pull Chain

CORD SJT type 3 conductor, 9' long

GUARDS Coated steel with retaining clips

BLADE Steel hub/spider & aluminum paddles

POLE Adjusts center of fan from 43" to 60"

1 Year Warranty / Meets OSHA Standards



WALL MOUNT

MOTOR • BLADE GUARDS • MOUNT PACKED IN SINGLE UPS-able CARTON



PEDESTAL

SIZE	TYPE of MOUNT	UPC 686334	MODEL	CFM			AMPS HIGH	WT. (lbs.)	LIST
				HIGH	MED	LOW			
24"	Pedestal Mount	870627	CACU 24-P	5400	4900	4300	2.3	63	314
	Wall Mount	870641	CACU 24-W					43	268
30"	Pedestal Mount	869744	CACU 30-P	6000	5500	4800	2.4	66	325
	Wall Mount	870634	CACU 30-W					46	278

CIRCULATOR COMPONENTS

MOTORS			
TYPE	UPC 686334	MODEL NUMBER	LIST PRICE
HEAVY DUTY	796132	HD-MOT	317
HIGH PERFORMANCE	799515	IHP-MOT	222
INDUSTRIAL	796330	AC-MOT	128
OSCILLATING	796446	AC-MOT-O	300

GUARD & BLADES			
TYPE	UPC 686334	MODEL NUMBER	LIST PRICE
YELLOW GUARD & BLADE FOR 1/2 HP MOTOR			
24"	796149	HD-24GB	178
30"	796156	HD-30GB	195
SILVER GUARD & BLADE FOR 1/2 HP (HD) MOTOR			
24"	796453	HD-24GB-C	156
30"	796460	HD-30GB-C	172
SILVER GUARD & BLADE FOR 1/3HP & 1/4HP MOTORS			
24"	796347	AC-24GB	133
30"	796354	AC-30GB	150

MOUNTS			
TYPE	UPC 686334	MODEL NUMBER	LIST PRICE
YELLOW MOUNTS			
PEDESTAL POLE & BASE	796095	HDM-P	156
WALL MOUNT	796101	HDM-W	61
I-BEAM MOUNT	796118	HDM-I	117
CEILING MOUNT	796125	HDM-C	67
GRAY MOUNTS			
PEDESTAL POLE & BASE	796187	ACM-P	150
WALL MOUNT	796194	ACM-W	56
I-BEAM MOUNT	796200	ACM-I	111
CEILING MOUNT	796217	ACM-C	61
SUSPENSION MOUNT	796224	ACM-S	50
POLE MOUNT	868181	ACMPM	78
WHEEL KIT	868136	ACM-WK	72
COMMERCIAL MOUNTS			
PEDESTAL POLE & BASE	869751	CACM-P	126
FDA WHITE MOUNTS (FOR USE WITH WASH-DOWN FAN HEADS IN FOOD SERVICE APPLICATIONS)			
PEDESTAL POLE & BASE	868259	WACM-P	159
WALL MOUNT	868266	WACM-W	62



SPECIALTY CIRCULATOR HEADS

USE WITH ANY TPI INDUSTRIAL CIRCULATOR MOUNT

Meets OSHA Standards / 1 Year Limited Warranty



MOTOR permanently lubricated, totally enclosed,
ball bearing UL-listed
BLADE Aluminum
GUARDS Coated steel
CORD None - junction box provided for hard wiring

Hazardous Location
Class I Group D
Class II Group F & G
Unassembled Head

240v / 480v 3-Phase
Unassembled Head

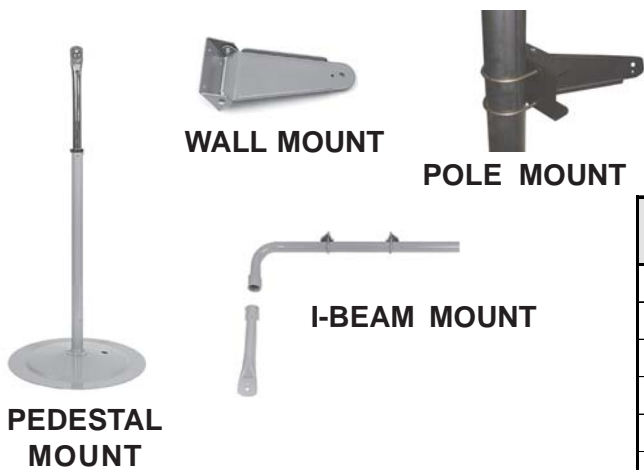
277 Volt
Assembled Head

Wash down rated
120v / 240v 1-Phase
Assembled Head

MODEL	UPC 686334	SIZE	MOTOR			CFM		AMPS (HIGH)					WT. LBS.	LIST PRICE
			HP	RPM	VOLTS	HIGH	LOW	120v 1 ph	240v 1 ph	277v 1 ph	240v 3 ph	480v 3 ph		
ACH 24-EX1	855198	24"	1/4	1725	120 or 240 1-phase	8000		5.0	2.6				66	918
ACH 30-EX1	855204	30"			9200	69	996							
ACH 24-EX3	855211	24"			240 or 480 3-phase	8000		1.4	0.7	66	979			
ACH 30-EX3	855228	30"			9200	69	1073							
ACH-24-TE3	855235	24"	1/4	1725	240 or 480 3-phase	8000					1.4	0.7	45	578
ACH-30-TE3	855242	30"			9200	48	634							
IHP 24-H-277	854139	24"	1/3	1125	277 1-phase	7000	5200			1.0			40	445
IHP 30-H-277	854221	30"				8200	6200						44	473
IHP 20-H-WD	872195	20"	1/3	1725	120 or 240 1-phase	7150		4.5	2.2				46	846
IHP 24-H-WD	854184	24"				8200							48	876
IHP 30-H-WD	854191	30"				9350							52	906

NOTE: Wash down rated fan heads have heavy zinc coated guards - Use FDA white coated mounts shown on page 5 for food service applications

CIRCULATOR MOUNTS



PEDESTAL
MOUNT



OPTIONAL
PEDESTAL
WHEEL KIT
with 10"
RUBBER WHEELS

CIRCULATOR MOUNT	MODEL NUMBER	UPC CODE 686334	SHIPPING WEIGHT	LIST PRICE
Pedestal	ACM-P	796187	34 lbs.	150
Wall Mount	ACM-W	796194	3 lbs.	56
I-Beam Mount	ACM-I	796200	9 lbs.	111
Ceiling Mount	ACM-C	796217	3 lbs.	61
Suspension Mount	ACM-S	796224	2 lbs.	50
Pole Mount	ACM-PM	868181	5 lbs	78
Optional Wheel Kit	ACM-WK	868136	4 lbs.	72

- Adjustable pedestal column bolts to 27" steel dome base with five carriage bolts.
- I-beam mount & ceiling mount require 1 1/2" or longer pipe nipple for assembly. (not supplied)
- Pole mount attaches to 4", 6" or 8" with U-bolts (not supplied)

