

3450/AFH SERIES

Recessed Mounting
3450/AFH Series

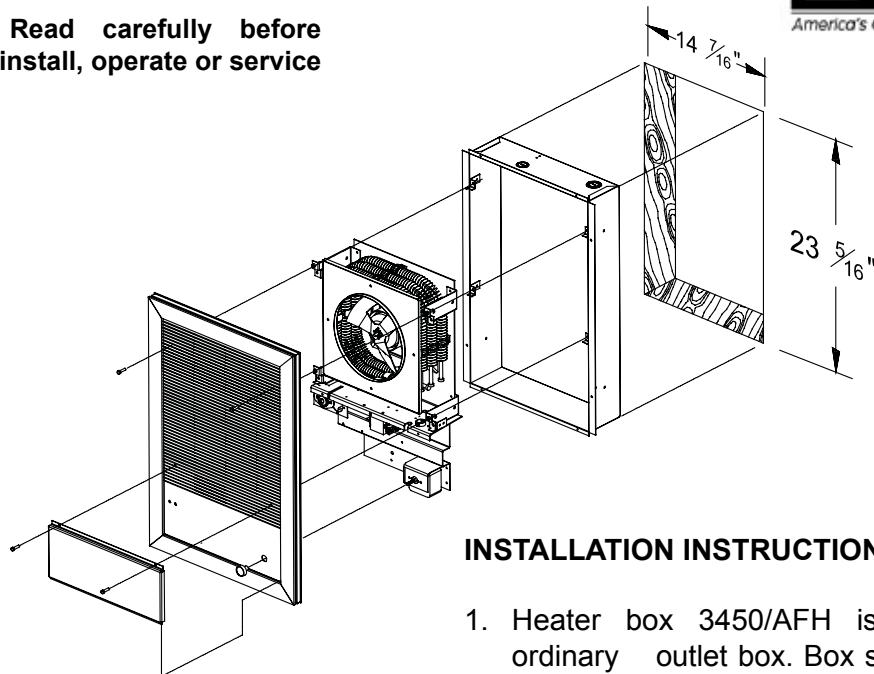
INSTALLATION INSTRUCTIONS



TPI Corporation
P.O. Box 4973
Johnson City, TN
37602-4973

America's Comfort Conditioning Company

ATTENTION: Read carefully before attempting to install, operate or service the heater.



CAUTION - High temperature, risk of fire, keep electrical cords, drapery, furnishings and other combustibles at least 3 feet (0.9m) from the front of the heater and away from the side and rear. Disconnect all power supplies before servicing.

ATTENTION - Haute température risque, d'incendie, gardez les cordons électriques, rideaux, ameublement et autres matériaux combustibles au moins 3 pieds (0,9 m) de l'avant et des côtés et l'arrière de l'appareil de chauffage à hautes températures. Avant d'intervenir, couper toutes les alimentations.

GENERAL SAFETY INFORMATION / CAUTION:

- Mount in vertical position only.
- Do not install any closer than 12" to any vertical surface or 12" to floor.
- Do not mount beneath towel racks or behind doors.
- Heater must have no obstructions in front of it.
- Make certain power supply is same as nameplate voltage on heater.
- All wiring must conform to the National Electric Code and existing local code requirements.

INSTALLATION INSTRUCTIONS:

1. Heater box 3450/AFH is installed just like ordinary outlet box. Box should be mounted in the wall - top side up, so that the front edges are 3/16" away from the finished wall surface.
2. The knockouts on bottom and back of box can be used for conduit, metallic or nonmetallic armored cable. Terminate feed lines at knockout.
3. Mount heater mechanism to interior of box by inserting straight into box engaging (4) lower tabs on interior mounting brackets with (4) tabs on wall box. Secure with (5) screws supplied. (4) in mounting bracket tabs. (1) in lower voltage supply area.
4. Mount protective control cover to chassis with (4) screws provided.
5. Mount front to chassis at top with (2) trapped allen screws and at bottom to protective control panel with (2) loose allen head screws provided.
6. Mount tamper proof panel to front with (1) pan head allen screw provided.

Thermal Cutout operation shown on page 3.

IMPORTANT: OWNER SHOULD RETAIN THESE INSTRUCTIONS FOR FUTURE REFERENCE

IMPORTANT INSTRUCTIONS

When using electrical appliances, basic precautions should always be followed to reduce the risk of fire, electrical shock, and injury to persons, including the following:

1. Read all instructions before using this heater.
2. **CAUTION:** High temperatures. Keep cords and all other combustible material, such as furniture, papers, clothes and curtains away from the heater. For safe and efficient operation, keep an open space around heater of three feet in front and 12 inches at ends and rear.
3. Extreme caution is necessary when any heater is used by or near children or invalids and whenever the heater is left operating and unattended.
4. Do not operate any heater after it malfunctions, has been dropped or damaged in any manner. Return heater to authorized service facility for examination, electrical or mechanical adjustment, or repair.
5. Do not use outdoors.
6. To disconnect heater, turn controls to off, and turn off power to heater circuit at main disconnect panel (or operate internal disconnect switch if provided).
7. Do not insert or allow foreign objects to enter any ventilation or exhaust opening as this may cause an electric shock or fire, or damage the heater.
8. To prevent a possible fire, do not block air intakes or exhaust in any manner.
9. A heater has hot and arcing or sparking parts inside. **WARNING: Do not use it in area where gasoline, paint or flammable liquids are used or stored.**
10. Use this heater only as described in this manual. Any other use not recommended by the manufacturer may cause fire, electric shock, or injury to persons. This heater may include an audible or visual alarm to warn that parts of the heater are getting excessively hot. If the alarm sounds (or illuminates), immediately turn the heater off and inspect for any objects on or adjacent to the heater that may have blocked the airflow or otherwise caused high temperatures to have occurred. **DO NOT OPERATE THE HEATER WITH THE ALARM SOUNDING (OR ILLUMINATING).**

11. SAVE THESE INSTRUCTIONS

OPERATION

1. Turn on the power supply to heater.
2. Rotate thermostat knob fully clockwise.
3. Allow the room to reach desired temperature, then rotate thermostat knob counter clockwise until the heater de-energizes.

MAINTENANCE AND CLEANING

The heater should be cleaned at least annually to prevent excess build-up of dirt and lint accumulated under normal operating conditions. In an unusually dirty environment the cleaning should be done more often. To clean the heater first DISCONNECT THE HEATER FROM THE MAIN POWER SOURCE. Then remove the grille. Using a vacuum cleaner with soft brush attachment clean the fan blade and element of any accumulated dirt or lint. Be careful not to bend the petals of the blade. When the cleaning is finished, re-install the grille and restore power. **DO NOT OPERATE THE HEATER WITHOUT GRILLE.**

3450/AFH SERIES

Surface Mounting
Semi-Recessed Mounting
3450/AFH Series

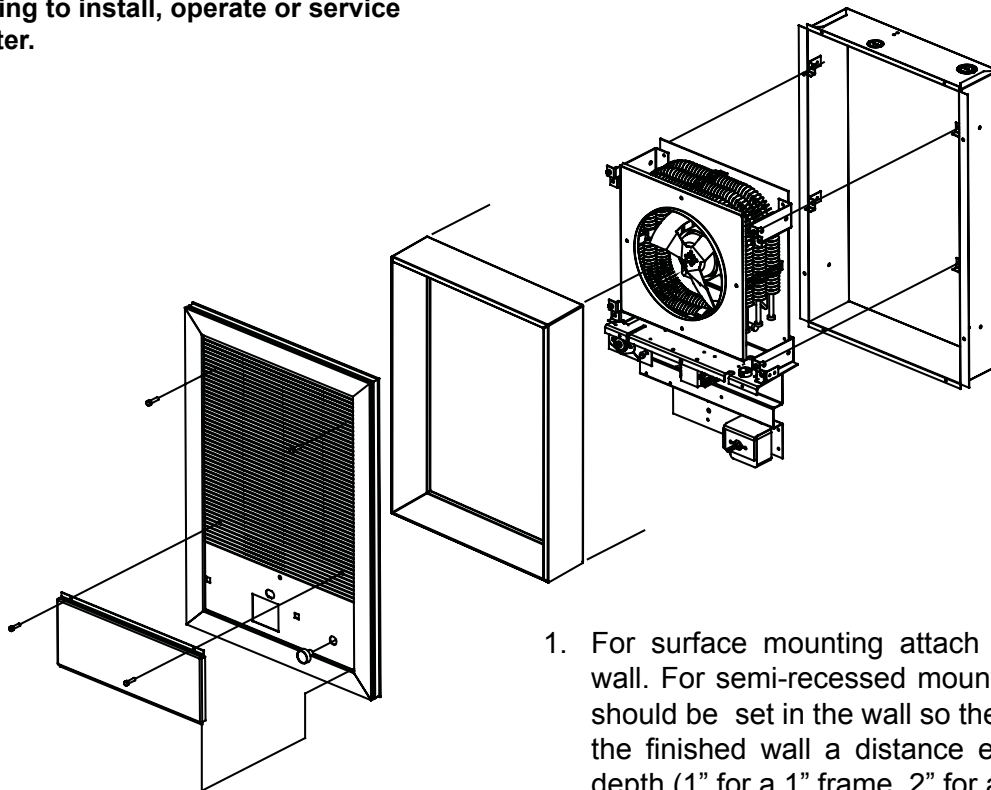
INSTALLATION INSTRUCTIONS



TPI Corporation
P.O. Box 4973
Johnson City, TN
37602-4973

America's Comfort Conditioning Company

ATTENTION: Read carefully before attempting to install, operate or service the heater.



GENERAL SAFETY INFORMATION / CAUTION:

Mount in vertical position only.

- Do not install any closer than 12" to any vertical surface or 12" to floor.
- Do not mount beneath towel racks or behind doors.
- Heater must have no obstructions in front of it.
- Make certain power supply is same as nameplate voltage on heater.
- All wiring must conform to the National Electric Code and existing local code requirements.

INSTALLATION INSTRUCTIONS:

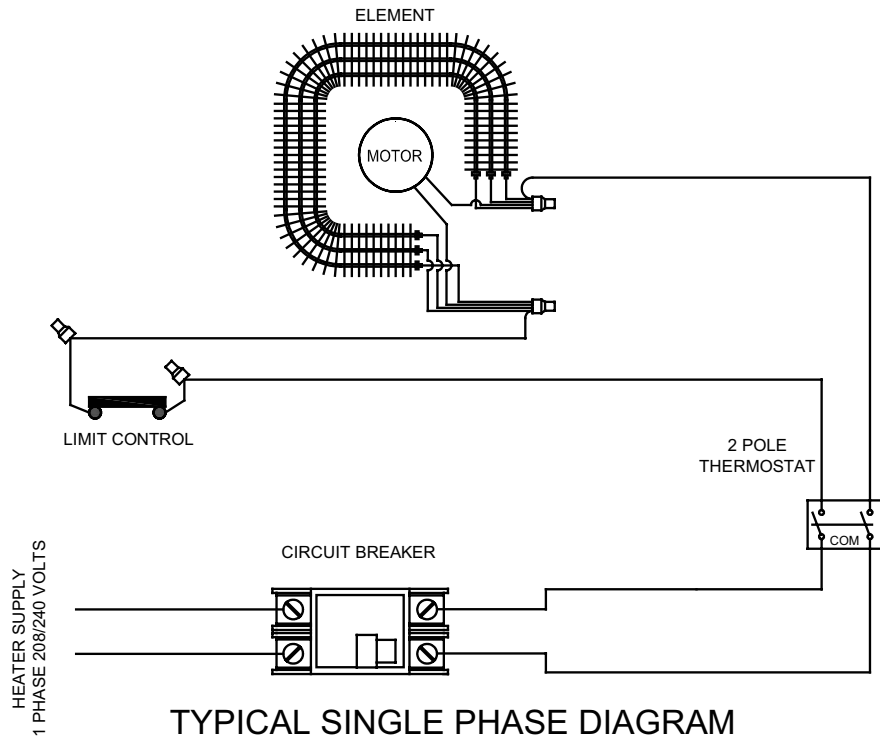
- For Surface Mounting use extender 3450/AFH EX34.
- For Semi-Recessed Mounting use extender 3450/AFH EX16 for 2", 3450/AFH EX8, for 1".
- Box 3450/AFH must be used in conjunction with accessory extender.

1. For surface mounting attach 3450/AFC box to wall. For semi-recessed mounting 3450AFC box should be set in the wall so the flange is out from the finished wall a distance equal to the frame depth (1" for a 1" frame, 2" for a 2" frame).
2. Remove knockout(s) in 3450/AFC as required.
3. Proceed as with recessed installation described on page one - steps 2 & 3.
4. Extender frame is attached to heater front (slip fit) and this assembly is then attached to the heater following step 4 on page one. Frame is captured between heater front and finished wall.

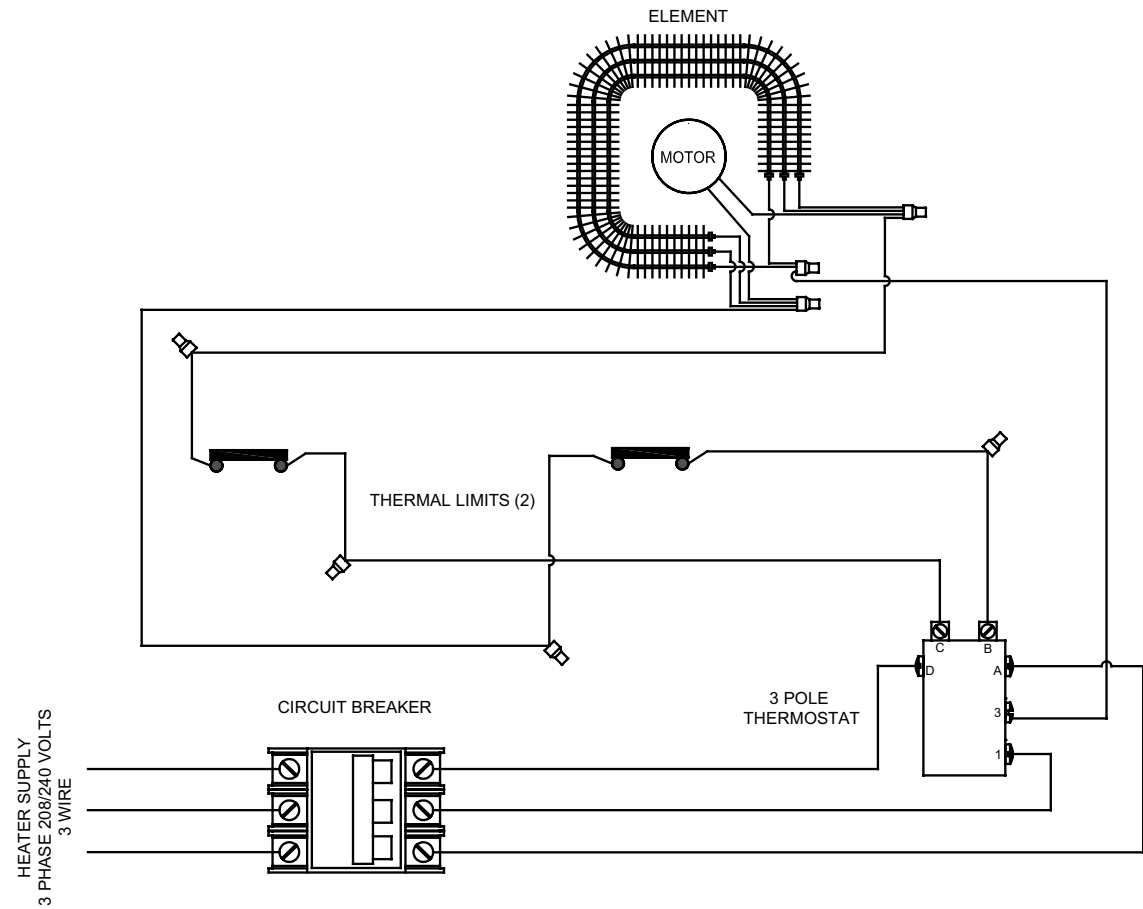
(CAPILLARY) LIMIT CONTROL

To reset thermal cutout disconnect all power, when heater has cooled locate the two 1/4" dia. holes in the control panel behind the louvers on the front grille. Using a small screwdriver or pencil press the reset button (with minimal amount of force) through the 1/4" dia. opening, then restore power to the unit. If fault continues disconnect power and check for cause.

IMPORTANT: OWNER SHOULD RETAIN THESE INSTRUCTIONS FOR FUTURE REFERENCE



TYPICAL SINGLE PHASE DIAGRAM



TYPICAL THREE PHASE DIAGRAM