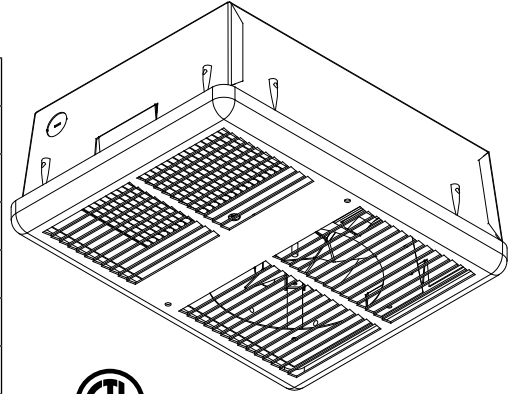




MADE IN
THE U.S.A.

3000 SERIES
FAN FORCED CEILING HEATER

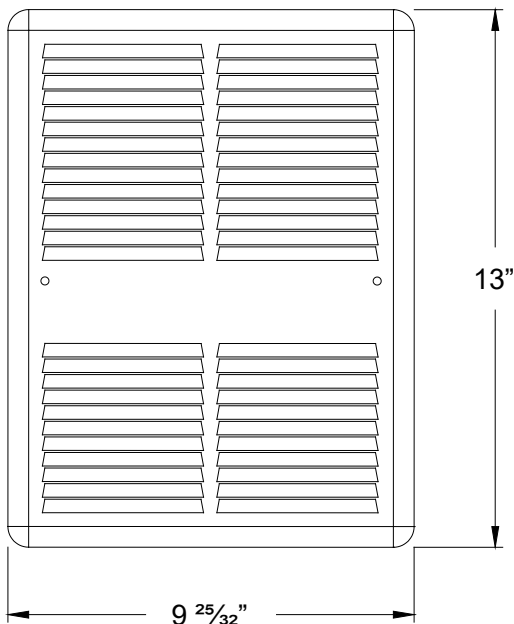


CUSTOMER		DATE:	
PROJECT			
LOCATION			
ARCHITECT			
ENGINEER			
CONTRACTOR			
SUBMITTED BY			
APPROVED BY			
APPROVED BY			

SUBMITTAL DATA SHEET

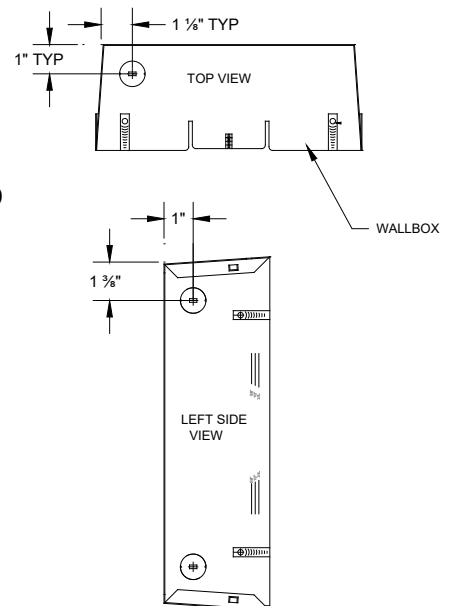
QTY	MODEL	TAG	WATTAGE	VOLTS	PHASE	AMPS	DISCONNECT	THERMOSTAT	ACCESSORIES

NOTES/SPECIAL
INSTRUCTIONS:

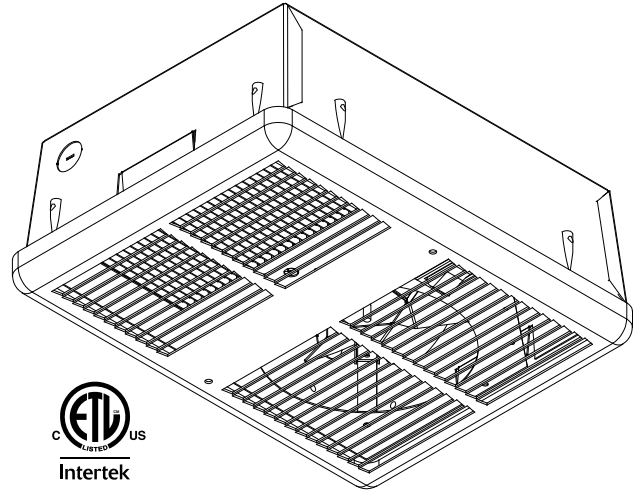


Rough In Dimensions
9 1/4"W x 12 1/8"H x 3 5/8"D

Weight:
6lbs



- Wattage selectable at time of installation - models shipped wired to highest wattage
- Fan purge circuit (has 2 wire control circuit for use with remote wall thermostat)
- Models may not be used with remote double pole thermostat
- Drywall depth embossments on back can
- Powder coated 18 gauge steel front
- Manual reset thermal limit
- Steel block fin element
- Propeller style fan blade - 1060 RPM / 100 CFM
- Weight: 6lbs
- Optional field installed control voltage relays available
- Rough in dimensions - 9 1/4" Wide - 12 1/8" High - 3 5/8" Deep
- Grill dimensions: 9 25/32" Wide - 13" High
- Made in U.S.A.



Standard Models

WHITE MFG MODEL NUMBER	SELECTABLE INSTALLATION WATTAGE	MAX BTUs	VOLTS	MAX AMPS
E3035DWBW	750 or 1500	5120	120	13
E3038DWBW	900 or 1800	6143	120	15
H3032DWBW	750 or 1000 - 1500 or 2000	6826	208 / 240	8
G3032DWBW	2000	6826	277	7

Accessories

MFG MODEL NUMBER	DESCRIPTION
30R	24 VOLT RELAY
30R2	120 VOLT RELAY
30R8	208/240 VOLT RELAY
30R7	277 VOLT RELAY
303EX8RW	1" EXTENDER
303EX16RW	2" EXTENDER
303EX32RW	4" SURFACE MOUNT FRAME
TB3000	T-BAR FRAME