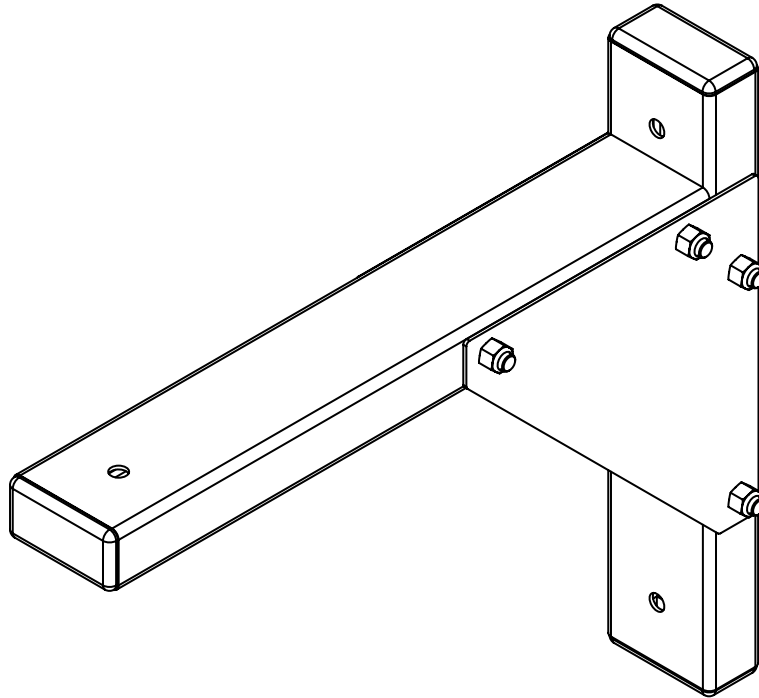




Industrial Air Circulator Instructions

For All HV-2 and HV-3 Accessory Brackets

READ AND SAVE THESE IMPORTANT INSTRUCTIONS



The TPI HV-2 wall mount assembly is intended for use with TPI 18 and 24 inch High Velocity Fans: HV 18 and HV 24.

The TPI HV-3 wall mount assembly is intended for use with TPI 18, 24, and 30 inch High Velocity Fans: HV 18, HV 24, and HV 30.

It is important that the following safety precautions be followed when using this product:

- DO NOT use HV-2 with models beginning with HV 30.
- **WARNING:** To reduce the risk of fire, electrical shock, or injury to persons, observe the following: Use this unit only in the manner intended by the manufacturer. If you have questions, contact the manufacturer.
- Installation work and electrical wiring must be done by qualified person(s) in accordance with all applicable codes and standards, including fire-rated construction.
- When cutting into wall or ceiling, do not damage electrical wiring and other hidden utilities.
- **Avertissement:** Pour reduire les risques d'incendie ou de choc electrique, ou de blessures, respectez les consignes suivantes:
- Utiliser cette unite uniquement de la maniere prevue par le fabricant. Si vous avez des questions, contactez le fabricant.
- lorsque la moyenne de la deconnexion n'est pas bloquee, fixez solidement un avertissement bien en evidence, comme une etiquette sur le panneau de service. Les travaux d'installation et decablage electrique doivent etre effectues par des personnes qualifiees conformement a tous les codes et normes applicables, y compris la construction par incendie.
- Lorsque vous coupez dans le mur ou le plafond, n'endommagez pas le cablage electrique et d'autres utilitaires caches.

INSTALLATION INSTRUCTIONS

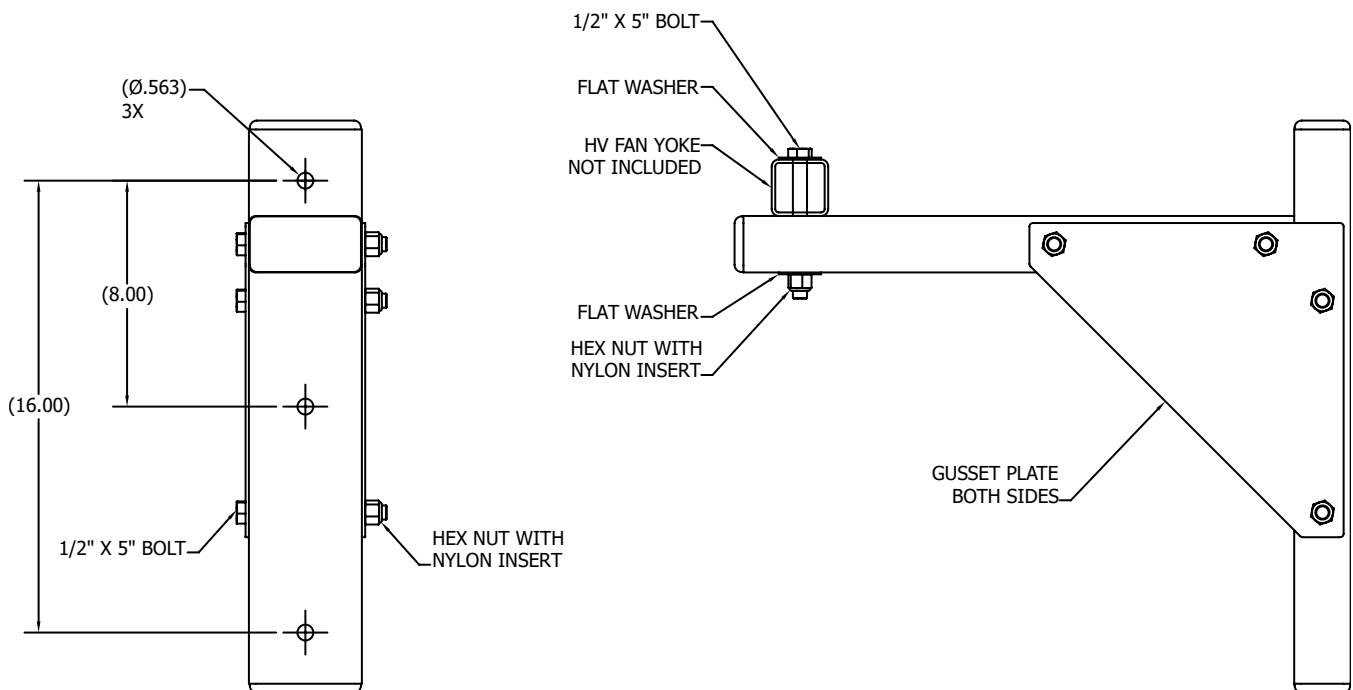
For installation on wood structures, use 1/2" lag screws of appropriate length for the application.

For installation on steel structures, use a 1/2" bolts of the appropriate length for the application, in combination with a flat washer, a lock washer and a 1/2" nut.

For installation on masonry structures, use a 1/2" lag screw, in combination with a lag shield, of appropriate length for the application.

Use wall mount tubing bracket as a template for locating the holes to be drilled on mounting surface. Use an appropriately sized drill bit and drill holes through mounting surface.

Attach wall mount tubing bracket to mounting surface using hardware not provided. It is recommended that a minimum of grade 5 fasteners be used.



Assemble wall mount support arm and gusset plates as shown above with 1/2" bolts, steel washers, nylon washers, and nylon insert lock nuts. Securely tighten all fasteners. Note that assembly may be mounted as shown with the fan above the bracket or inverted with the fan hanging below the bracket.

Attach TPI HV Fan to wall mount assembly as shown above. Securely tighten all fasteners.

For additional information on TPI Products or replacement parts, call TPI Customer Service Department at 1-800-251-0382 or write the address below.

PO. Box 4973 • Johnson City, Tennessee 37602-4973 • 423-477-4131 • FAX 423-477-0683