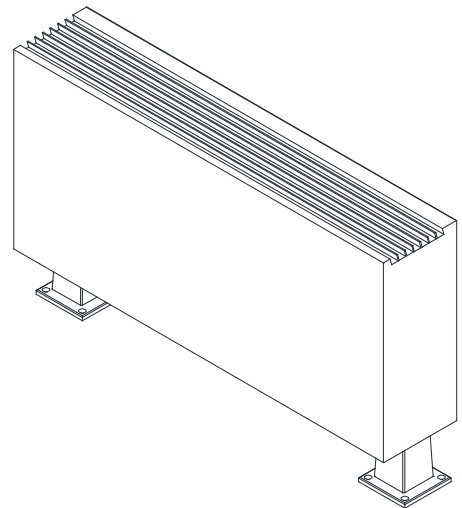




MADE IN THE U.S.A.

ASHDB SERIES DRAFT BARRIER HEATER



CUSTOMER		DATE:	
PROJECT			
LOCATION			
ARCHITECT			
ENGINEER			
CONTRACTOR			
SUBMITTED BY			
APPROVED BY			
APPROVED BY			

SUBMITTAL DATA SHEET										
QTY	MODEL	TAG	VOLTS	HEATER LENGTH (IN)	AIR INTAKE	WATTS PER FT.	CONTROL OPTIONS	FACTORY INSTALLED OPTIONS	FIELD INSTALLED OPTIONS	CUSTOM LENGTH
NOTES/SPECIAL INSTRUCTIONS:										

STANDARD MODELS	MFG MODEL NUMBER / LENGTH	WATTS / FT.
	ASHDB-2 2'	to 250; 251-500
	ASHDB-3 3'	
	ASHDB-4 4'	
	ASHDB-5 5'	
	ASHDB-6 6'	
	ASHDB-7 7'	
	ASHDB-8 8'	
	ASHDB-9 9'	
	ASHDB-10 10'	
	Extended Enclosure	

BLANK SECTIONS	MFG MODEL NUMBER / LENGTH
	ASHDB-8/20-100BS 1'
	ASHDB-8/20-200BS 2'
	ASHDB-8/20-300BS 3'
	ASHDB-8/20-400BS 4'
	ASHDB-8/20-500BS 5'
	ASHDB-8/20-600BS 6'
	ASHDB-8/20-700BS 7'
	ASHDB-8/20-800BS 8'
	ASHDB-8/20-900BS 9'
	ASHDB-8/20-1000BS 10'

ACCESSORIES	ASHDB IC / Inside Corner Section 90 - 180 Degrees
	ASHDB OC / Outside Corner Section 180 - 270 Degrees - 6" longest side
	ASHDB ECR / Right End Cap ASHDB ECL / Left End Cap
	ASHDB SP / 1 1/2" Splice Plate
	ASHDB WT / 2" - 6" Wall Trim
	3/4" Conduit Raceway (standard is 1/2")
	Mesh / 1/4" Wire Mesh under Grill
	Pedestals - Specify 2" or 3" See Chart for required amount per Heater

NOTE: ASHDB Series will permit a Thermostat mounted on one side and a Disconnect on the other side, more or other controls require a 6" or 12" control section. Typically, Thermostats are mounted on left side of heater. Control Section will add to length of heater.

Draft Barrier Heaters - General Product Information

All Draft Barrier Heaters, unless otherwise noted, are build to order items. Consult factory for lead times. Additional charges may be incurred if changes are made after production has begun - consult factory.

ELECTRIC DRAFT BARRIER FEATURES

- "UNI-LOCK" construction allows snap-fit, 2 piece installation
- Heavy Gauge Aluminum Extruded enclosures, 6063 heat treated to T-5 hardness
- DBT/DBF & RDBT-PD-12 gauge front & back
- ASHDB Series is 16 gauge Steel Front with 18 Steel gauge back
- ¼" pencil proof discharge louvers
- Thermal protection by full length linear limits
- Multiple heaters, factory wired on same back plate, available in up to 10' lengths
- Totally enclosed junction boxes
- Custom colors and finishes available (See Chart)
- Enclosures available for hydronic heating coils (consult factory for more information)

HOW TO DESIGNATE A MODEL

DIGIT	EXAMPLE	MFG MODEL NUMBER DESIGNATION "ASI" DRAFT BARRIER
DIGIT 1=	DBT	Series Model Number (DBT/DBF, etc.)
DIGIT 2=	PD	Use if Pedestals are Required* 2' to 5' Heaters require 2 pedestals 6' to 8' Heaters require 3 pedestals 9' & 10' Heaters require 4 pedestals
DIGIT 3=	4	Heated Length of Heater (for extended enclosure, specify amount of required enclosure on order write up, IE: 4' Heated length with 2'6" of extended enclosure
DIGIT 4=	250	Wattage per Linera foot (may not exceed allowable wattages on specific models, refer to catalog page to verify maximum WPF)
DIGIT 5=	ITS (etc)	Control Options: Refer to List Price chart for available options (Verify on each model which options may be factory installed)

NOTE:

- Extended enclosures and Blank Sections are NOT punched. When a Control Section is specified, ALWAYS allow for an extended enclosure to compensate for the 6" or 12" length of the Section required.
- Note on order when finished backs are required and add list adder to model list.
- **Total heater amperage must not exceed the 25-Amp rating of the high temperature limit at any voltage or wattage. This applies to all Sill Line Model Series.**

COMPLETED EXAMPLE: DBT-PD-4250-ITS

Voltage & Wattage Specification

VOLTAGE	STANDARD WATTAGES PER FOOT	HEATER LENGTHS
120-277	100, 125, 150, 165, 187, 200, 250*, 300, 333*, 375*	2' through 10'

*Units with Extended Enclosures may require more Pedestals than standard length, must verify length of heater after extended enclosures for total amount of pedestals. NOTE: All bottom inlet units must be mounted a minimum of 3 inches above finished floor.

All dual element ASHDB models have single phase elements.

CONTROL OPTIONS

SUFFIX DESIGNATION	DESCRIPTION
CS 6	6" control section / will contain up to 2 control options
CS 12	12" control section / will contain up to 3 control options
ITS	Single Pole, 25 Amp integral thermostat, 120,208,240 & 277 Volts
ITD	Double Pole, 25 Amp integral thermostat, 120,208,240 & 277 Volts
IDS	Double Pole Disconnect, 20 Amp, 120, 208, 240 & 277 Volts
IDS 30	30 Amp disconnect (9300 Series)
IDS 40	40 Amp disconnect (9300 Series)
LVTR	Low voltage controls (trans & relay) (9300 Series)
PR 120-277/24	Power Relay, 18 Amp tested, Must specify coil voltage Single Pole
PR 120-277/120	
PR 120-277/240	
ATR*	Single Pole, rated 25 Amps, 120 to 240 Volts, Contacts rated up to 277 Volts (must specify) Coils are 24 Volt; 24 Volt transformer

CUSTOM PAINT COLORS

Durable Powder Coat Paint Finish
Bankers Bronze - standard color
Eggshell White
Black
Gray
Beige
Bronze Anodized*
*simulated powder coat finish
Special Colors (5 lb. Increment)
ANODIZING*
* 204R1 Clear; 313R1 Bronze and Black

*Not suitable for International use

Note: Please refer to each model to verify how many controls may be integrally mounted, Control sections will add length to the heater. Must use control section with PR 240/24, PR 208/24, 208/208 and ATR

Note: If using line voltage thermostat on single phase heaters you cannot exceed 25 Amps due to Amp rating of thermostat. 347, 480, and 600V models can use up to 30 Amps with in-built thermostat.