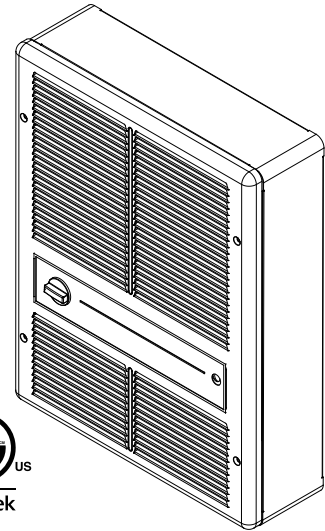




MADE IN THE U.S.A.

3310 SERIES FAN FORCED WALL HEATER

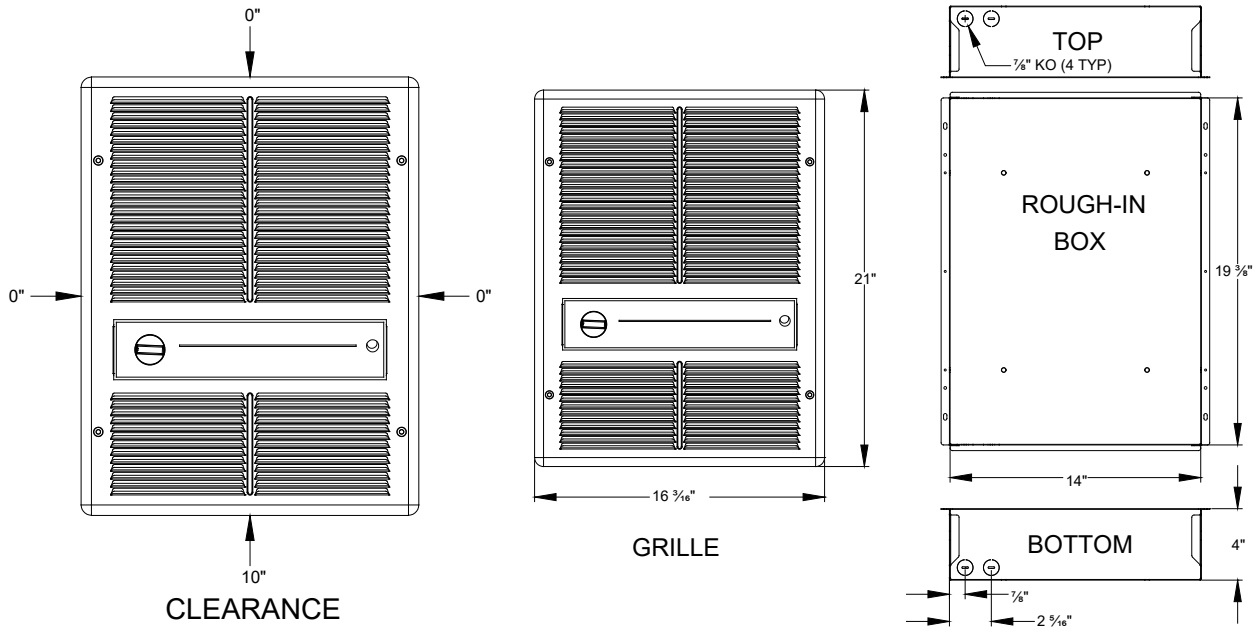
CUSTOMER		DATE:	
PROJECT			
LOCATION			
ARCHITECT			
ENGINEER			
CONTRACTOR			
SUBMITTED BY			
APPROVED BY			
APPROVED BY			



SUBMITTAL DATA SHEET

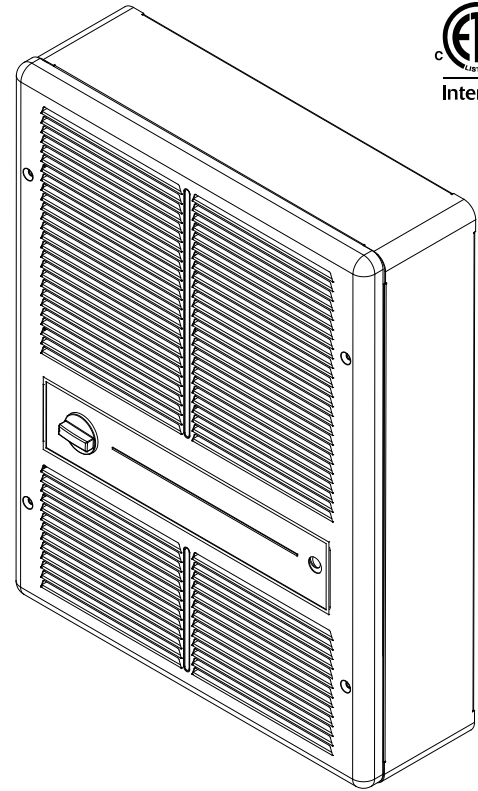
QTY	MODEL	TAG	WATTAGE	VOLTS	PHASE	AMPS	DISCONNECT	THERMOSTAT	FAN SWITCH

NOTES/SPECIAL INSTRUCTIONS:





- Powder coated 18 gauge steel front
- Automatic reset thermal limit
- Vane axial fan blade: 600 RPM / 175 CFM
- Steel block fin element
- Units with dual wattage, factory wired to highest wattage
- Wattage selectable at time of installation on some models
- Rough in dimensions: 14 1/8" Wide, 19 1/2" High, 4" Deep
- Grille dimensions: 16 3/16" Wide, 21" High
- Weight: 22lbs
- Made in U.S.A.



Product Specifications

Typical Specifications: Furnish and install electric forced air heaters where specified. The heaters shall be constructed of a heavy gauge steel housing. The rough-in dimensions are 14 1/8" Wide x 19 1/2" high x 4" deep. The finish shall be powder coated paint in ivory or white color. The units shall be available in ratings from 750 through 4800 Watts. The heaters shall have a low speed 600 RPM motor which drives a vane axial blower to deliver a quiet 175 CFM of down flow air. The heating element shall be of the sealed block fin type with large, parallel steel fins for quick heat transfer. Unit shall have a standard thermal overload cutoff for added safety, a fan switch for fan only operation, and is available with a single pole, or double pole built-in thermostat, or no thermostat. The in-built thermostat shall be calibrated to provide a range of 0 degrees F. to 110 degrees F. All heaters shall be listed by ETL. The heating element shall be supplied with a manufacturer's 1 year limited warranty.

Standard Models - With Summer Fan Switch

MODELS WITH IN-BUILT DOUBLE POLE THERMOSTAT (0° - 110°F TEMPERATURE RANGE)					
MFG MODEL NUMBER	MFG MODEL NUMBER	WATTS	MAX BTUs	VOLTS	AMPS
E3312T2SRP	E3312T2SRPW	1000	3413	120	8.3
E3313T2SRP	E3313T2SRPW	1500	5120		12.5
		750	2560	6.25	
F3316T2SRP	F3316T2SRPW	4000	13648	208	19.2
F3317T2SRP	F3317T2SRPW	4800	16380		23
HF3315T2SRP	HF3315T2SRPW	3000 / 2250	10240	240 / 208	12.5 / 10.8
		1500 / 1125	5120		6.2 / 5.4
HF3316T2SRP	HF3316T2SRPW	4000 / 3000	13648		16.8 / 14.4
		2000 / 1500	6826		8.3 / 7.2
H3317T2SRP	H3317T2SRPW	4800	16380	240	20.0
MODELS WITH IN-BUILT SINGLE POLE THERMOSTAT (0° - 110°F TEMPERATURE RANGE)					
E3312TSRP	E3312TSRPW	1000	3413	120	8.3
E3313TSRP	E3313TSRPW	1500	5120		12.5
		750	2560	6.25	
F3316TSRP	F3316TSRPW	4000	13648	208	19.2
F3317TSRP	F3317TSRPW	4800	16380		23
HF3315TSRP	HF3315TSRPW	3000 / 2250	10240	240 / 208	12.5 / 10.8
		1500 / 1125	5120		6.2 / 5.4
HF3316TSRP	HF3316TSRPW	4000 / 3000	13648		16.8 / 14.4
		2000 / 1500	6826		8.3 / 7.2
H3317TSRP	H3317TSRPW	4800	16380	240	20.0

Note: Fan switch not available on 277V models. 277V models are available without a fan switch on following page.

Standard Models - Without Summer Fan Switch

MODELS WITH IN-BUILT DOUBLE POLE THERMOSTAT (0°-110° TEMPERATURE RANGE)						
IVORY	WHITE	WATTS	MAX BTUs	PHASE	VOLTS	AMPS
MFG MODEL NUMBER	MFG MODEL NUMBER					
E3312T2RP	E3312T2RPW	1000	3413	Single	120	8.3
E3313T2RP	E3313T2RPW	1500	5120			12.5
		750	2560			6.25
F3316T2RP	F3316T2RPW	4000	13648		208	19.2
F3317T2RP	F3317T2RPW	4800	16380			23
HF3315T2RP	HF3315T2RPW	3000 / 2250	10240		240 / 208	12.5 / 10.8
		1500 / 1125	5120			6.2 / 5.4
HF3316T2RP	HF3316T2RPW	4000 / 3000	13648			16.8 / 14.4
		2000 / 1500	6826			8.3 / 7.2
H3317T2RP	H3317T2RPW	4800	16380		240	20.0
G3314T2RP	G3314T2RPW	2000	6826		277	7.2
G3315T2RP	G3315T2RPW	3000	10240			10.8
G3316T2RP	G3316T2RPW	4000	13648			14.4
G3317T2RP	G3317T2RPW	4800	16380			17.3

MODELS WITH IN-BUILT SINGLE POLE THERMOSTAT (0°-110° TEMPERATURE RANGE)						
E3312TRP	E3312TRPW	1000	3413	Single	120	8.3
E3313TRP	E3313TRPW	1500	5120			12.5
		750	2560			6.25
F3316TRP	F3316TRPW	4000	13648		208	19.2
F3317TRP	F3317TRPW	4800	16380			23
HF3315TRP	HF3315TRPW	3000 / 2250	10240		240 / 208	12.5 / 10.8
		1500 / 1125	5120			6.2 / 5.4
HF3316TRP	HF3316TRPW	4000 / 3000	13648			16.8 / 14.4
		2000 / 1500	6826			8.3 / 7.2
H3317TRP	H3317TRPW	4800	16380		240	20.0
G3314TRP	G3314TRPW	2000	6826		277	7.2
G3315TRP	G3315TRPW	3000	10240			10.8
G3316TRP	G3316TRPW	4000	13648			14.4
G3317TRP	G3317TRPW	4800	16380			17.3

MODELS WITHOUT AN IN-BUILT THERMOSTAT						
E3312RP	E3312RPW	1000	3413	Single	120	8.3
E3313RP	E3313RPW	1500	5120			12.5
		750	2560			6.25
F3316RP	F3316RPW	4000	13648		208	19.2
F3317RP	F3317RPW	4800	16380			23
HF3315RP	HF3315RPW	3000 / 2250	10240		240 / 208	12.5 / 10.8
		1500 / 1125	5120			6.2 / 5.4
HF3316RP	HF3316RPW	4000 / 3000	13648			16.8 / 14.4
		2000 / 1500	6826			8.3 / 7.2
H3317RP	H3317RPW	4800	16380		240	20.0
G3314RP	G3314RPW	2000	6826		277	7.2
G3315RP	G3315RPW	3000	10240			10.8
G3316RP	G3316RPW	4000	13648			14.4
G3317RP	G3317RPW	4800	16380			17.3

3-PHASE MODELS - WITH IN-BUILT THERMOSTAT AND DISCONNECT*						
MFG MODEL NUMBER	WATTS	MAX BTUs	PHASE	VOLTS	AMPS	
J3315TD-RPW	3000	10239	Three	208	8.33	
J3316TD-RPW	4000	13649			11.11	
J3317TD-RPW	4800	16378			13.33	
K3315TD-RPW	3000	10239		240	7.2	
K3316TD-RPW	4000	13649			9.64	
K3317TD-RPW	4800	16378			11.57	
P3315T-RPW *	3000	10239		480	3.6	
P3316T-RPW *	4000	13649			4.8	
P3317T-RPW *	4800	16378			5.8	

* Disconnect switch not available on 480V models

Accessories - All Models

IVORY	WHITE	DESCRIPTION	ACCESSORY TYPE
MFG MODEL NUMBER	MFG MODEL NUMBER		
BOX3310	BOX3310	ADDITIONAL BACK CAN	Field Installed
3310EX33R	3310EX33WR	SURFACE MOUNTING FRAME	
SUFFIX D		DISCONNECT SWITCH	Factory Installed

Accessories - 3-Phase Models

MFG CATALOG NUMBER	MFG MODEL NUMBER	DESCRIPTION	ACCESSORY TYPE
03997702	3310EX33 - BROWN	Surface Mounting Frame	Field Installed