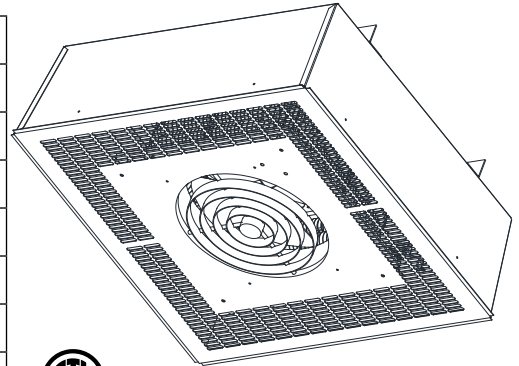




MADE IN THE U.S.A.

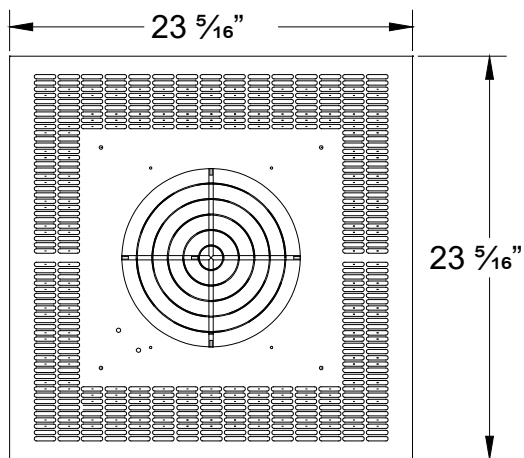
CUSTOMER		DATE:	
PROJECT			
LOCATION			
ARCHITECT			
ENGINEER			
CONTRACTOR			
SUBMITTED BY			
APPROVED BY			
APPROVED BY			



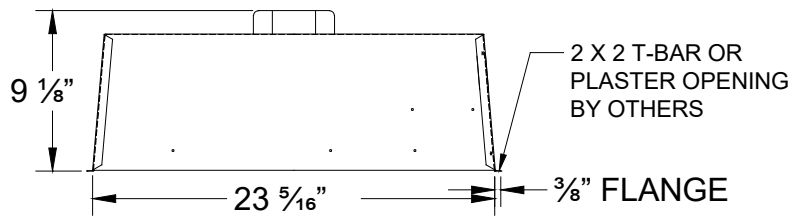
SUBMITTAL DATA SHEET

QTY	MODEL	TAG	WATTAGE	VOLTS	PHASE	AMPS	CFM	DISCONNECT	THERMOSTAT	OPTIONS

NOTES/SPECIAL INSTRUCTIONS:

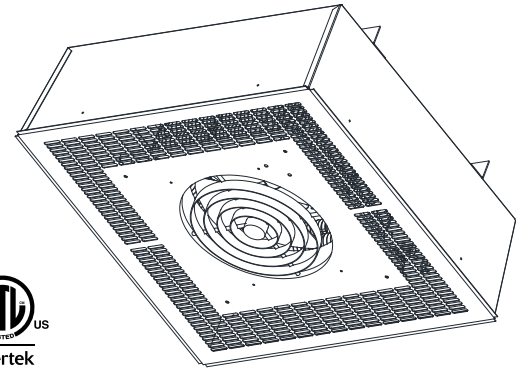


BOTTOM VIEW



SIDE VIEW (ALL SIDES IDENTICAL)

- 20 gauge steel cabinet
- White powder coated paint finish
- All models have manual reset thermal limit, 24 volt control transformer and 24 volt relay (A1 Suffix) standard
- Enclosed steel fin sheathed element
- 12' maximum mounting height
- Optional louver available for exhaust outlet



Notes

- Optional controls must be factory installed. Field installation is not acceptable and violates listing and factory warranty.
- Degree F air rise is measured at 1,000 F.P.M. and 600 CFM Throw designed for 8 to 12 foot ceilings AFF.
- Unit Weight: 50 lbs.
- Low Voltage: UT1001

Factory Installed Control Sections

SUFFIX	DESCRIPTION
S	Disconnect Switch
T	Single Pole Thermostat (40°-110°F)
RELAYS FOR FIELD SUPPLIED NIGHTLY SETBACK	
R*	Relay Control Voltage Same as Heater, *208/240V models only (control voltage field supplied)
R1	Relay 24V Control Voltage (control voltage field supplied)
R2	Relay 120V Control Voltage (control voltage field supplied)

Product Specifications

Contractor shall supply and install heavy duty ceiling mounted forced air electric heater(s) of the wattage, voltage and phase as indicated on the plans. The heater shall be so designed to provide an even distribution of heated air to the space to be heated by drawing return air in the periphery of the heater, across and through the element and be discharged from the center section of the heater by means of an electric motor and axial flow fan blade.

Heaters shall be recessed type and mounted flush with the finished ceiling. The return grille assembly shall be constructed of a one piece heavy gauge steel with 1/4" slots for return air and concentric rings for uniform air discharge. Grille assembly shall be attached to chassis by tamper-resistant (allen head) machine screws. All parts of enclosure shall be heavy gauge steel, zinc coated both sides and finished in neutral off white powder coat paint.

Enclosure shall be constructed of 1/8" x 3/8" rounded edge horizontal steel louvers which shall be spaced for maximum opening of 5/16". Louvers shall be welded at every intersection to evenly spaced 1/8" diameter vertical members. Discharge grille to have concentric rings for uniform air discharge. Grille assembly shall be attached to chassis by tamper-resistant (allen head) machine screws. All part of enclosure shall be heavy gauge steel, Zinc coated both sides and finished in neutral off white colored powder coat finish.

Motor shall be permanently lubricated, unit bearing, totally enclosed, with impedance protection. Motors shall operate at no more than 1300 RPM and shall be same voltage as the heater.

Heaters shall have a rating of 600 CFM at 1,000 F.P.M. with a maximum temperature rise of 44°F and sound level 63.9 dB.

Element assemblies shall consist of two or three corrosion resistant steel sheathed type elements mechanically bonded to common corrosion resistant steel fins. Each sheathed element shall consist of helically coiled Nickel Chromium alloy resistant wire completely embedded in and surrounded by magnesium oxide, enclosed and wedged into corrosion resistant steel sheaths. Elements shall have 2" cold conductor pins extending into sheath and shall have a density of no more than 60 Watts per inch.

Heaters shall be equipped with a "manual reset" thermal overload which disconnects elements and motor in the event normal operating temperatures are exceeded. For safety, if opened due to abnormal temperature, thermal overload shall remain open until manually reset. Automatic reset thermal overloads which allow the element to continue to cycle under abnormal conditions will not be accepted. Heaters shall be ETL listed.