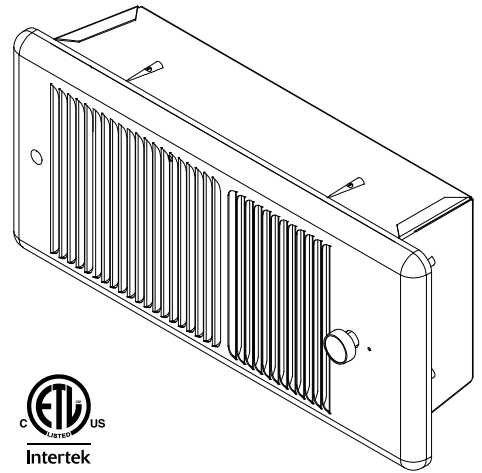




MADE IN
THE U.S.A.

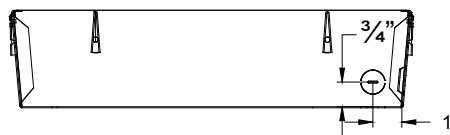
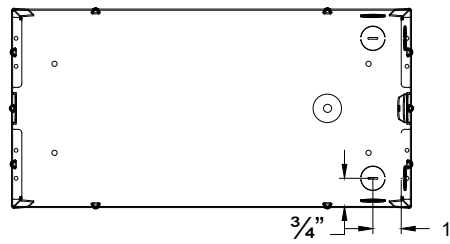
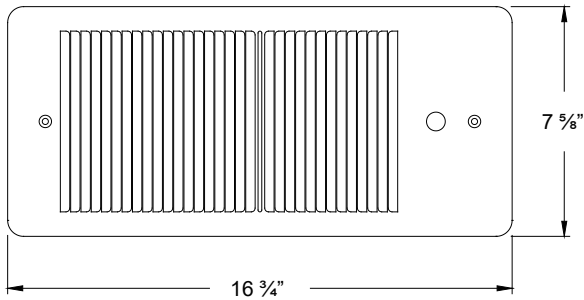
4300 SERIES LOW PROFILE FAN FORCED WALL HEATER

CUSTOMER		DATE:	
PROJECT			
LOCATION			
ARCHITECT			
ENGINEER			
CONTRACTOR			
SUBMITTED BY			
APPROVED BY			
APPROVED BY			

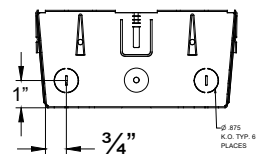


SUBMITTAL DATA SHEET

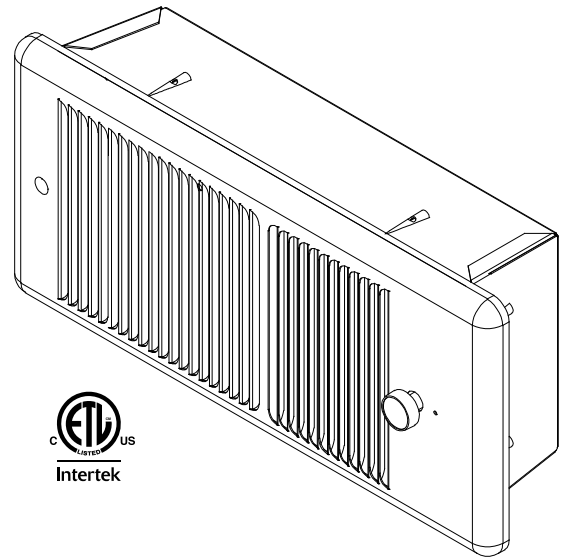
QTY	MODEL	TAG	WATTAGE	VOLTS	PHASE	AMPS	DISCONNECT	THERMOSTAT
NOTES/SPECIAL INSTRUCTIONS:								



Rough In Dimensions
14 1/2"W x 7 1/8"H x 3 1/2"D
Weight
9lbs.



- 20 Gauge steel construction
- Powder coated paint finish - white or ivory
- Finned tubular steel element
- All units equipped with manual reset over-heat protection
- Propeller style fan blade produces 70 CFM - Right, Left, or Top discharge
- Dual wattage and voltage units available for 208/240 volts
- Surface Mounting Frames available for non-recessed and semi-recessed applications
- Units built with or without thermostat (see catalog for additional options)



Standard Models

IVORY		WHITE		VOLTS	WATTS	MAX BTUs	AMPS
MFG CATALOG NUMBER	MFG MODEL NUMBER	MFG CATALOG NUMBER	MFG MODEL NUMBER				
DOUBLE POLE IN-BUILT THERMOSTAT (RANGE 0° - 110°F)							
03276902	F4320TRP	03277402	F4320TRPW	208	2000	6826	9.6
03277002	HF4375TRP	03277502	HF4375TRPW	240/208	750 / 562	2560 / 1920	3.1 / 2.7
03277102	HF4310TRP	03277602	HF4310TRPW		1000 / 750	3413 / 2560	4.2 / 3.6
03277202	HF4315TRP	03277702	HF4315TRPW		1500 / 1125	5120 / 3840	6.3 / 5.4
03277302	HF4320TRP	03277802	HF4320TRPW		2000 / 1500	6826 / 5120	8.3 / 7.2
Standard Models - SINGLE POLE INBUILT THERMOSTAT (RANGE 0° - 110°F)							
03277902	E4375TRP	03278702	E4375TRPW	120	750	2560	6.25
03278002	E4310TRP	03278802	E4310TRPW		1000	3413	8.33
03278102	E4315TRP	03278902	E4315TRPW		1500	5120	12.5
03278202	F4320TRP	03279002	F4320TRPW	208	2000	6826	9.6
03278302	HF4375TRP	03279102	HF4375TRPW	240/208	750 / 562	2560 / 1920	3.1 / 2.7
03278402	HF4310TRP	03279202	HF4310TRPW		1000 / 750	3413 / 2560	4.2 / 3.6
03278502	HF4315TRP	03279302	HF4315TRPW		1500 / 1125	5120 / 3840	6.3 / 5.4
03278602	HF4320TRP	03279402	HF4320TRPW		2000 / 1500	6826 / 5120	8.3 / 7.2
NO IN-BUILT THERMOSTAT							
03279502	E4375RP	03280302	E4375RPW	120	750	2560	6.25
03279602	E4310RP	03280402	E4310RPW		1000	3413	8.33
03279702	E4315RP	03280502	E4315RPW		1500	5120	12.5
03279802	F4320RP	03280602	F4320RPW	208	2000	6826	9.6
03279902	HF4375RP	03280702	HF4375RPW	240/208	750 / 562	2560 / 1920	3.1 / 2.7
03280002	HF4310RP	03280802	HF4310RPW		1000 / 750	3413 / 2560	4.2 / 3.6
03280102	HF4315RP	03280902	HF4315RPW		1500 / 1125	5120 / 3840	6.3 / 5.4
03280202	HF4320RP	03281002	HF4320RPW		2000 / 1500	6826 / 5120	8.3 / 7.2

Accessories

IVORY		WHITE		ACCESSORY OPTIONS	WT. (LBS)
MFG CATALOG NUMBER	MFG MODEL NUMBER	MFG CATALOG NUMBER	MFG MODEL NUMBER		
03276502	4300EX8	03284502	4300EX8W	1" SEMI RECESSING EXTENDER	2
03276602	4300EX16	03284602	4300EX16W	2" SEMI RECESSING EXTENDER	3
03276702	4300EX32	03284702	4300EX32W	4" SURFACE MOUNTING FRAME	4
03276802	4300P	03284802	4300PW	WALL PLATE ADAPTOR (OD 21.5" x 12.25")	1
FIELD INSTALLED THERMOSTATS		03297702	43T	SINGLE POLE THERMOSTAT 0° - 110° F	1
		03297802	43T2	DOUBLE POLE THERMOSTAT 0° - 110° F	1