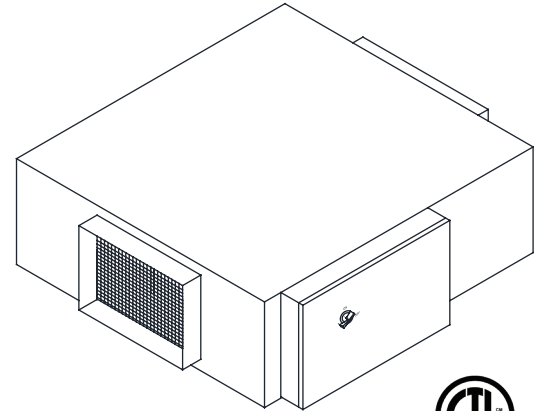


MADE IN THE U.S.A.

7300 SERIES
LOW BOY
PLENUM RATED HEATER

CUSTOMER		DATE:	
PROJECT			
LOCATION			
ARCHITECT			
ENGINEER			
CONTRACTOR			
SUBMITTED BY			
APPROVED BY			
APPROVED BY			



SUBMITTAL DATA SHEET

QTY	TAG	MODEL	KW	HEATER VOLTS/PHASE	STAGES	MOTOR VOLTS	AMPS	OPTIONS
NOTES/SPECIAL INSTRUCTIONS:								

Standard Features

- PSC motor with thermal limit
- SCR motor speed controller
- Door interlock disconnect - rated for zero clearance
- Single point electric connection
- Control circuit 24 volt
- Air flow switch / dust tight enclosure
- 4# density core insulation / duct connections
- Access on both sides of unit
- Primary and secondary limits
- 20 ga. galvanized construction
- Filter rack with T/A filter
- Inlet and outlet screens

OPTIONS	
FACTORY INSTALLED	
T1	Single Stage Thermostat
T2	Two Stage Thermostat
SSR	Solid State Relay and Thermostat
4M	480 Volt Single Phase Motor Option
FIELD INSTALLED	
RK120EAA	Single Stage Wall Thermostat
SDHW1001	Two Stage Wall Thermostat
RS	Duct Probe for use with SSR

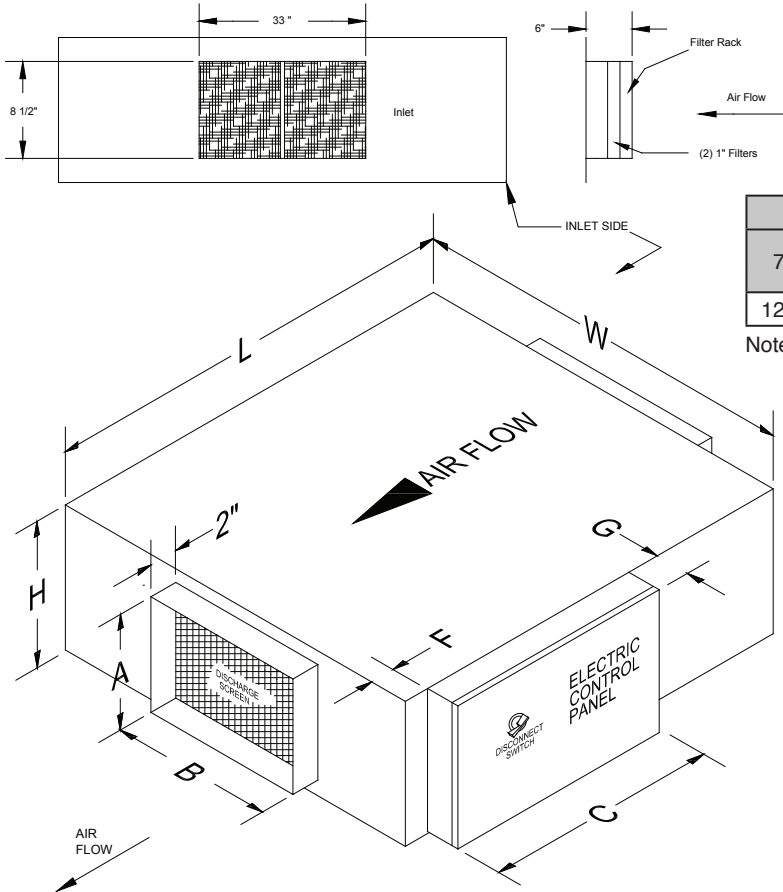
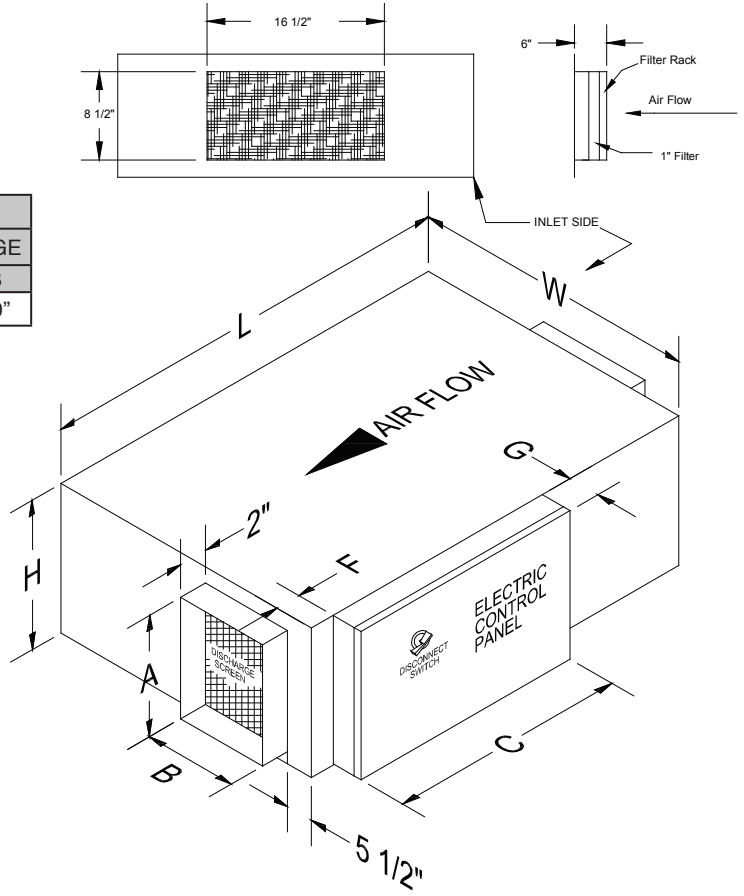
7300 Series Plenum Heater Standard Models

MFG CATALOG NUMBER	MFG MODEL NUMBER	KW	CFM RANGE	VOLTS/ PHASE	TOTAL AMPS for MOTOR & HEATER	STAGE	MOTOR VOLTAGE	FULL LOAD AMPS for MOTOR ONLY	MOTOR H.P.	WT. (LBS)			
06180702	F1G7305	5	170-950	208/1	26	1	277	2	1/4	163			
06175402	H1G7305			240/1	22								
06063002	G1G7305			277/1	20								
06176402	F3G7305			208/3	15								
05344502	H3G7305			240/3	14								
05346002	P3P7305			480/3	8								
06099602	F3G7310	10		208/3	32	1	277	2					
06177302	H3G7310			240/3	26								
06180602	P3P7310			480/3	14								
06063602	F3G7310-2			208/3	32						2	277	2
05344602	H3G7310-2			240/3	26								
05346102	P3P7310-2			480/3	14								
05344802	H3G7312	12	240/3	32	1	277	3						
05346202	P3P7312		480/3	17									
06085902	F3G7312-2		208/3	41				2	277	3			
05345002	H3G7312-2		240/3	32									
05346302	P3P7312-2		480/3	17									
05345202	H3G7315		15	240/3				39	1	277	3		
06177702	P3P7315	480/3		21									
06181002	F3G7315-2	208/3		49	2	277	3						
06085102	H3G7315-2	240/3		39									
05346402	P3P7315-2	480/3		21									
05346502	P3P7318	18		480/3	25	1	480	2					
05346602	P3P7318-2		480/3	25	2								

DIMENSIONS								
7300 SERIES	C	F	G	H	L	W	DISCHARGE	
							A	B
5 & 10 KW	28 3/4"	1"	6 1/2"	11 3/4"	45"	26"	8"	10"

Note: Dimension C and G will vary with accessories

Control panel access standard as shown. For panel on opposite side access specify and order.



DIMENSIONS								
7300 SERIES	C	F	G	H	L	W	DISCHARGE	
							A	B
12, 15, & 18 KW	28 3/4"	2"	6 1/2"	11 3/4"	45"	43"	8"	20"

Note: Dimension C and G will vary with accessories

Control panel access standard as shown. For panel on opposite side access specify and order.