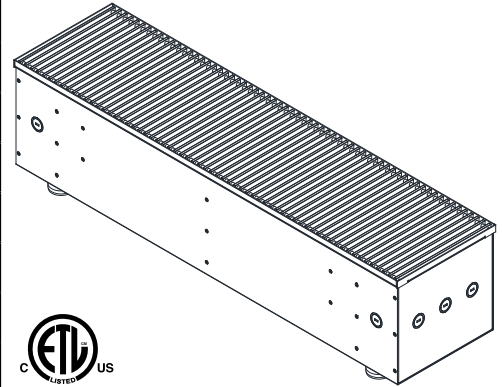


MADE IN
THE U.S.A.

9900 SERIES

COMMERCIAL / INDUSTRIAL
FLOOR HEATER

CUSTOMER		DATE:	
PROJECT			
LOCATION			
ARCHITECT			
ENGINEER			
CONTRACTOR			
SUBMITTED BY			
APPROVED BY			
APPROVED BY			



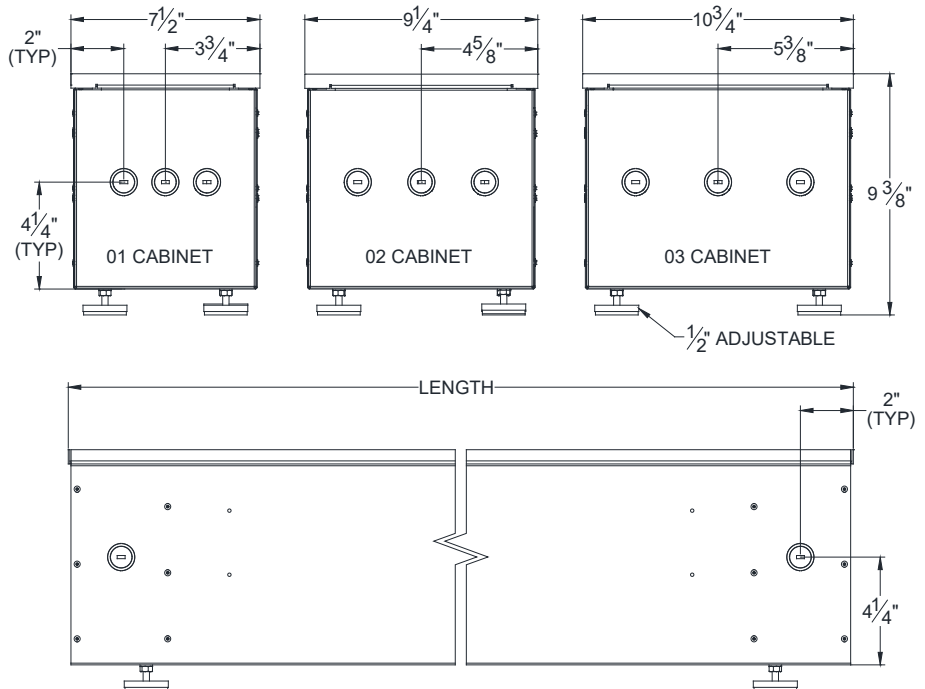
SUBMITTAL DATA SHEET								
QTY	MODEL	TAG	WATTAGE	VOLTS	PHASE	AMPS	LENGTH	WIDTH
NOTES/SPECIAL INSTRUCTIONS:								

Product Description

The 9900 series heaters are fixed location convection heaters intended for commercial/industrial use. The 9900 series can be fully recessed into the floor with 'zero' clearance to combustibles or surface mounted and wrapped with a custom built enclosure on the sides and ends with 'zero' clearance.

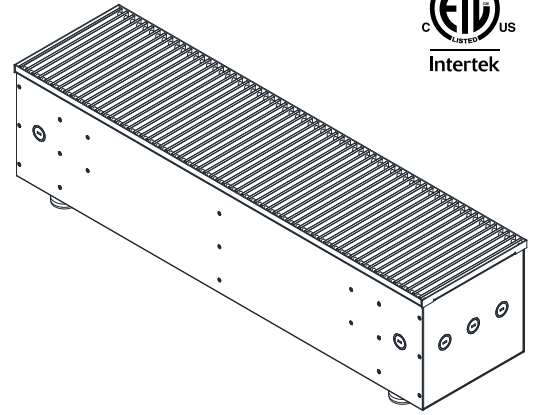
Continuous runs can be accomplished by installing heaters end to end.

Corner sections, blank sections, and control sections are available. All electrical components are factory assembled.



Features

- Heavy-duty bar grate. Constructed of solid extruded aluminum bars with clear anodized finish
- Stainless steel element with aluminum fins
- Limit Control - Automatic reset capillary extending full length of heated section
- Adjustable levelers to allow positioning flush with finished floor-accessible from the top of the heater
- Large wiring compartments with 3/4-inch conduit wireway allows wiring from either end
- Control sections and blank sections available
- Knockouts provided on ends and sides to allow inter-connection of heaters and accessories
- Made in U.S.A.



Product Specifications

CABINET:

01 cabinet width - 1 element, available with 150 or 200 watts/foot maximum with the exception of the 28" model, maximum wattage for the 28"* unit is 300 watts. Single phase voltages only

02 cabinet width - 2 elements, available with 200 or 300 watts/foot maximum with the exception of the 28" model, maximum wattage for the 28"* unit is 400 watts. Single phase voltages only.

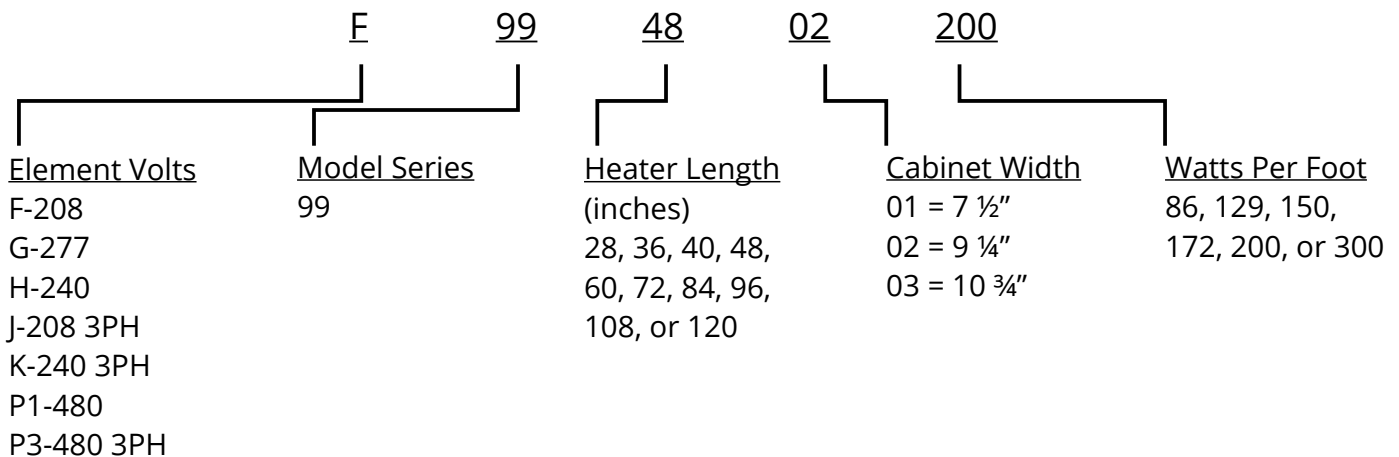
03 cabinet width - 3 elements, available 300 watts/foot maximum with the exception of the 28" model, maximum wattage for the 28"* unit is 400 watts. Single and three phase voltages

NOTE: Design limitations affect certain 28 inch models. Contact factory for availability.

CONTROLS:

Relays and transformers available for all voltages. ATR available for 208,240 and 277 single phase only.

HOW TO INTERPRET A MODEL:



Standard Models

MFG MODEL NUMBER	VOLTS	LENGTH	WATTS	AMPS
F9928-01-86	208	28"	200	.96
F9928-01-129		28"	300	1.44
F9928-03-129		28"	300	1.44
F9928-02-172		28"	400	1.92
F9928-03-172		28"	400	1.92
H9928-01-86	240	28"	200	.83
H9928-01-129		28"	300	1.25
H9928-03-129		28"	300	1.25
H9928-02-172		28"	400	1.67
H9928-03-172		28"	400	1.67
G9928-01-86	277	28"	200	.72
G9928-01-129		36"	600	2.17
G9928-02-172		28"	400	1.44
G9928-03-172		28"	400	1.44
F9936-01-150	208	36"	450	2.16
F9936-01-200		36"	600	2.88
F9936-02-200		36"	600	2.88
F9936-03-200		36"	600	2.88
F9936-02-300		36"	900	4.33
F9936-03-300		36"	900	4.33
H9936-01-150	240	36"	450	1.88
H9936-01-200		36"	600	2.5
H9936-02-200		36"	600	2.50
H9936-03-200		36"	600	2.50
H9936-02-300		36"	900	3.75
H9936-03-300		36"	900	3.75
G9936-01-150	277	36"	450	1.62
G9936-01-200		36"	600	2.17
G9936-02-200		36"	600	2.17
G9936-03-200		36"	600	2.16
G9936-02-300		36"	900	3.25
G9936-03-300		36"	900	3.25
P9936-01-150	480	36"	450	0.94
P9936-01-200		36"	600	1.25
P9936-02-200		36"	600	1.25
P9936-02-300		36"	900	1.88
P9936-03-300		36"	900	1.875
F9948-01-150		208	48"	600
F9948-01-200	48"		800	3.85
F9948-02-200	48"		800	3.85
F9948-03-200	48"		800	3.85
F9948-02-300	48"		1200	5.77
F9948-03-300	48"		1200	5.77
H9948-01-150	240		48"	600
H9948-01-200		48"	800	3.33
H9948-02-200		48"	800	3.33
H9948-03-200		48"	800	3.33
H9948-02-300		48"	1200	5.00
H9948-03-300		48"	1200	5.00

MFG MODEL NUMBER	VOLTS	LENGTH	WATTS	AMPS
G9948-01-150	277	48"	600	2.17
G9948-01-200		48"	800	2.89
G9948-02-200		48"	800	2.89
G9948-03-200		48"	800	2.88
G9948-02-300		48"	1200	4.33
G9948-03-300		48"	1200	4.33
P9948-01-150	480	48"	600	1.25
P9948-01-200		48"	800	1.67
P9948-02-200		48"	800	1.67
P9948-02-300		48"	1200	2.50
P9948-03-300	48"	1200	2.50	
F9960-01-150	208	60"	750	3.6
F9960-01-200		60"	1000	4.81
F9960-02-200		60"	1000	4.81
F9960-03-200		60"	1000	4.81
F9960-02-300		60"	1500	7.21
F9960-03-300		60"	1500	7.21
H9960-01-150	240	60"	750	3.13
H9960-01-200		60"	1000	4.17
H9960-02-200		60"	1000	4.17
H9960-03-200		60"	1000	4.17
H9960-02-300		60"	1500	6.25
H9960-03-300		60"	1500	6.25
G9960-01-150	277	60"	750	2.70
G9960-01-200		60"	1000	3.61
G9960-02-200		60"	1000	3.61
G9960-03-200		60"	1000	3.61
G9960-02-300	60"	1500	5.42	
G9960-03-300	60"	1500	5.42	
P9960-01-150	480	60"	750	1.56
P9960-01-200		60"	1000	2.08
P9960-02-200		60"	1000	2.1
P9960-02-300		60"	1500	3.13
P9960-03-300	60"	1500	3.13	
F9972-01-150	208	72"	900	4.33
F9972-01-200		72"	1200	5.77
F9972-02-200		72"	1200	5.77
F9972-03-200		72"	1200	5.77
F9972-02-300		72"	1800	8.65
F9972-03-300		72"	1800	8.65
H9972-01-150	240	72"	900	3.75
H9972-01-200		72"	1200	5.00
H9972-02-200		72"	1200	5.00
H9972-03-200		72"	1200	5.00
H9972-02-300		72"	1800	7.50
H9972-03-300		72"	1800	7.50

Standard Models

MFG MODEL NUMBER	VOLTS	LENGTH	WATTS	AMPS
G9972-01-150	277	72"	900	3.25
G9972-01-200		72"	1200	4.33
G9972-02-200		72"	1200	4.33
G9972-03-200		72"	1200	4.33
G9972-02-300		72"	1800	6.50
G9972-03-300		72"	1800	6.5
P9972-01-150	480	72"	900	1.88
P9972-01-200		72"	1200	2.50
P9972-02-200		72"	1200	2.50
P9972-02-300		72"	1800	3.75
P9972-03-300		72"	1800	3.75
F9984-01-150	208	84"	1050	5.05
F9984-01-200		84"	1400	6.73
F9984-02-200		84"	1400	6.73
F9984-03-200		84"	1400	6.73
F9984-02-300		84"	2100	10.1
F9984-03-300		84"	2100	10.1
H9984-01-150	240	84"	1050	4.38
H9984-01-200		84"	1400	5.83
H9984-02-200		84"	1400	5.83
H9984-03-200		84"	1400	5.83
H9984-02-300		84"	2100	8.75
H9984-03-300		84"	2100	8.75
G9984-01-150	277	84"	1050	3.79
G9984-01-200		84"	1400	5.05
G9984-02-200		84"	1400	5.05
G9984-03-200		84"	1400	5.1
G9984-02-300		84"	2100	7.58
G9984-03-300		84"	2100	7.58

MFG MODEL NUMBER	VOLTS	LENGTH	WATTS	AMPS
P9984-01-150	480	84"	1050	2.19
P9984-01-200		84"	1400	2.92
P9984-02-200		84"	1400	2.92
P9984-02-300		84"	2100	4.4
P9984-03-300	208	84"	2100	4.38
F9996-01-150		96"	1200	5.77
F9996-01-200		96"	1600	7.69
F9996-02-200		96"	1600	7.69
F9996-03-200		96"	1600	7.69
F9996-02-300		96"	2400	11.54
F9996-03-300	96"	2400	11.54	
H9996-01-150	240	96"	1200	5.0
H9996-01-200		96"	1600	6.67
H9996-02-200		96"	1600	6.67
H9996-03-200		96"	1600	6.67
H9996-02-300		96"	2400	10.0
H9996-03-300		96"	2400	10.0
G9996-01-150	277	96"	1200	4.33
G9996-01-200		96"	1600	5.78
G9996-02-200		96"	1600	5.78
G9996-03-200		96"	1600	5.78
G9996-02-300		96"	2400	8.66
G9996-03-300		96"	2400	8.66
P9996-01-150	480	96"	1200	2.50
P9996-01-200		96"	1600	3.33
P9996-02-200		96"	1600	3.33
P9996-02-300		96"	2400	5.00
P9996-03-300		96"	2400	5.00
F99108-01-150	208	108"	1350	6.49
F99108-01-200		108"	1800	8.65
F99108-02-200		108"	1800	8.65
F99108-03-200		108"	1800	8.65
F99108-02-300		108"	2700	13.0
F99108-03-300		108"	2700	13.0
H99108-01-150	240	108"	1350	5.63
H99108-01-200		108"	1800	7.50
H99108-02-200		108"	1800	7.50
H99108-03-200		108"	1800	7.50
H99108-02-300		108"	2700	11.25
H99108-03-300		108"	2700	11.25
G99108-01-150	277	108"	1350	4.87
G99108-01-200		108"	1800	6.49
G99108-02-200		108"	1800	6.50
G99108-03-200		108"	1800	6.5
G99108-02-300		108"	2700	9.75
G99108-03-300		108"	2700	9.75

Standard Models

MFG MODEL NUMBER	VOLTS	LENGTH	WATTS	AMPS
P99108-01-150	480	108"	1350	2.81
P99108-01-200		108"	1800	3.75
P99108-02-200		108"	1800	3.75
P99108-02-300		108"	2700	5.63
P99108-03-300		108"	2700	5.63
F99120-01-150	208	120"	1500	7.21
F99120-01-200		120"	2000	9.62
F99120-02-200		120"	2000	9.62
F99120-03-200		120"	2000	9.62
F99120-02-300		120"	3000	14.42
F99120-03-300	120"	3000	14.42	
H99120-01-150	240	120"	1500	6.25
H99120-01-200		120"	2000	8.33
H99120-02-200		120"	2000	8.33
H99120-03-200		120"	2000	8.33
H99120-02-300		120"	3000	12.5
H99120-03-300	120"	3000	12.5	
G99120-01-150	277	120"	1500	5.42
G99120-01-200		120"	2000	7.22
G99120-02-200		120"	2000	7.22
G99120-03-200		120"	2000	7.22
G99120-02-300		120"	3000	10.83
G99120-03-300	120"	3000	10.83	
P99120-01-150	480	120"	1500	3.13
P99120-01-200		120"	2000	4.17
P99120-02-200		120"	2000	4.17
P99120-02-300		120"	3000	6.25
P99120-03-300		120"	3000	6.3

MFG MODEL NUMBER	VOLTS	LENGTH	WATTS	AMPS
P39960-03-200	480/3	60"	1000	1.2
P39960-03-300		60"	1500	1.8
J9972-03-200	208/3	72"	1200	3.33
J9972-03-300		72"	1800	5.00
K9972-03-200	240/3	72"	1200	2.9
K9972-03-300		72"	1800	4.3
P39972-03-200	480/3	72"	1200	1.45
P39972-03-300		72"	1800	2.17
J9984-03-200	208/3	84"	1400	3.89
J9984-03-300		84"	2100	5.83
K9984-03-200	240/3	84"	1400	3.4
K9984-03-300		84"	2100	5.1
P39984-03-200	480/3	84"	1400	1.69
P39984-03-300		84"	2100	2.5
J9996-03-200	208/3	96"	1600	4.44
J9996-03-300		96"	2400	6.67
K9996-03-200	240/3	96"	1600	3.9
K9996-03-300		96"	2400	5.8
P39996-03-200	480/3	96"	1600	1.93
P39996-03-300		96"	2400	2.9
J99108-03-200	208/3	108"	1800	5.00
J99108-03-300		108"	2700	7.50
K99108-03-200	240/3	108"	1800	4.3
K99108-03-300		108"	2700	6.5
P399108-03-200	480/3	108"	1800	2.17
P399108-03-300		108"	2700	3.25
J99120-03-200	208/3	120"	2000	5.56
J99120-03-300		120"	3000	8.33
K99120-03-200	240/3	120"	2000	4.8
K99120-03-300		120"	3000	7.2
P399120-03-200	480/3	120"	2000	2.4
P399120-03-300		120"	3000	3.6

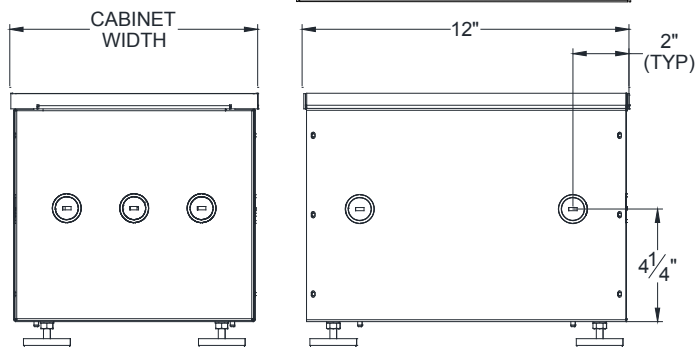
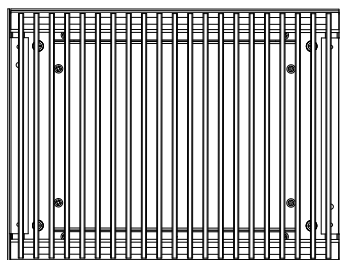
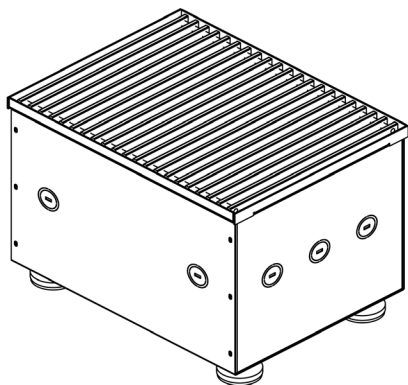
3 PHASE UNITS				
MFG MODEL NUMBER	VOLTS	LENGTH	WATTS	AMPS
J9928-03-129	208/3	28"	300	0.83
J9928-03-172		28"	400	1.11
K9928-03-129	240/3	28"	300	0.72
K9928-03-172		28"	400	0.96
P39928-03-172	480/3	28"	400	0.48
J9936-03-200	208/3	36"	600	1.67
J9936-03-300		36"	900	2.50
K9936-03-200	240/3	36"	600	1.45
K9936-03-300		36"	900	2.2
P39936-03-200	480/3	36"	600	0.72
P39936-03-300		36"	900	1.1
J9948-03-200	208/3	48"	800	2.22
J9948-03-300		48"	1200	3.33
K9948-03-200	240/3	48"	800	1.93
K9948-03-300		48"	1200	2.9
P39948-03-200	480/3	48"	800	0.96
P39948-03-300		48"	1200	1.45
J9960-03-200	208/3	60"	1000	2.78
J9960-03-300		60"	1500	4.17
K9960-03-200	240/3	60"	1000	2.4
K9960-03-300		60"	1500	3.6

Control Section

The 9900 series control sections are designed to meet the needs of controlling the 9900 series in almost any application.

The control sections come with a variety of transformer/relay combinations for low voltage control with a wall thermostat, or SSR's that operate with a wall thermostat or a 0-10Vdc, 4-20mA signal from a BMS.

All control sections come from the factory with all controls completely wired.



MFG MODEL NUMBER	VOLTS	AMPS
CS99-03-PC-480V 3PH	480	16
CS99-03-PC-240V 3PH	240	16
CS99-03-PC-208V 3PH	208	16
CS99-03-PC-480V 1PH	480	16
CS99-03-PC-277V 1PH	277	16
CS99-03-PC-240V 1PH	240	16
CS99-03-PC-208V 1PH	208	16
CS99-02-PC-480V 1PH	480	16
CS99-02-PC-277V 1PH	277	16
CS99-02-PC-240V 1PH	240	16
CS99-02-PC-208V 1PH	208	16
CS99-01-PC-480V 1PH	480	16
CS99-01-PC-277V 1PH	277	16
CS99-01-PC-240V 1PH	240	16
CS99-01-PC-208V 1PH	208	16
MFG MODEL NUMBER	VOLTS	AMPS
CS99-03-LVTR 480V 15A	480	15
CS99-03-LVTR 277V 30A	277	30
CS99-03-LVTR 240V 30A	240	30
CS99-03-LVTR 208V 30A	208	30
CS99-03-ATR 277V 18A	277	18
CS99-03-ATR 240V 22A	240	22
CS99-03-ATR 208V 22A	208	22
CS99-02-LVTR 480V 15A	480	15
CS99-02-LVTR 277V 30A	277	30
CS99-02-LVTR 240V 30A	240	30
CS99-02-LVTR 208V 30A	208	30
CS99-02-ATR 277V 18A	277	18
CS99-02-ATR 240V 22A	240	22
CS99-02-ATR 208V 22A	208	22
CS99-01-LVTR 480V 15A	480	15
CS99-01-LVTR 277V 30A	277	30
CS99-01-LVTR 240V 30A	240	30
CS99-01-LVTR 208V 30A	208	30
CS99-01-ATR 277V 18A	277	18
CS99-01-ATR 240V 22A	240	22
CS99-01-ATR 208V 22A	208	22