

# american stabilis

## INSTALLATION INSTRUCTIONS ARCHITECTURAL DRAFT BARRIER SERIES DBTS SHOWN WITH OPTIONAL PEDESTAL

### GENERAL:

AMERICAN STABILIS ARCHITECTURAL DRAFT BARRIER HEATERS MAY BE MOUNTED INDIVIDUALLY, END TO END AND WALL TO WALL. EACH HEATER IS FACTORY PRE-WIRED, READY FOR BRANCH CIRCUIT CONNECTION. DRAFT BARRIER HEATERS ARE CONSTRUCTED OF 12 GAUGE ALUMINUM AND ARE EQUIPPED WITH AN ALUMINUM FINNED HEATING ELEMENT, AUTOMATIC RESET THERMAL CUT-OUTS AND ARE AVAILABLE WITH OPTIONAL RELAYS, DISCONNECT SWITCH, AND TRANSFORMER RELAYS. INTEGRAL THERMOSTAT AND DISCONNECT SWITCH ARE ALSO AVAILABLE AS ACCESSORIES. CONTROL SECTION REQUIRED.

### RECEIVING:

1. MAKE SURE THAT THE NUMBER OF CARTONS AGREE WITH THE BILL OF LADING, PACKING LIST AND ORIGINAL ORDER.
2. MATERIAL WAS SHIPPED IN GOOD ORDER AND AMERICAN STABILIS HOLDS CLEAR BILL OF LADING, THEREFORE ANY CONCEALED DAMAGE MUST BE REPORTED AT ONCE TO THE CARRIER FOR INSPECTION AND SETTLEMENT.

### ROUGH-IN WIRING:

1. RUN BRANCH CIRCUIT OF PROPER VOLTAGE AND WIRE SIZE TO LOCATION OF THE TERMINAL BOX OF THE HEATER. TABLE BELOW PROVIDES CORRECT WIRE SIZE FOR WIRE ENTRY.

TABLE 1.

		MAXIMUM WATTS PER CIRCUIT USING 75°C WIRE			
ROUGH IN WIRE SIZE		120V	208V	240V	277V
COPPER WIRE	14	1440	2496	2880	3324
	12	1920	3328	3840	4432
	10	2880	4992	5760	6648
ALUMINUM WIRE	12	1440	2496	2880	3324
	10	2400	4160	4800	5540

2. WIRE ENTRY INTO A DRAFT BARRIER INSTALLATION IS COMMONLY MADE INTO ONE DRAFT BARRIER HEATER. THROUGH WIRING (FACTORY FURNISHED) IS USED FOR CONNECTION TO ADJACENT HEATERS.
3.  $\frac{1}{2}$  &  $\frac{3}{4}$  KNOCKOUTS ARE LOCATED AT EACH END OF THE HEATER BACK PANEL FOR WIRE ENTRY. A KNOCKOUT IS ALSO LOCATED ON EACH SIDE OF THE JUNCTION BOX.
4. ALL WIRING AND ELECTRICAL GROUNDING OF THE HEATER BACK PANEL TO BE IN ACCORDANCE WITH NATIONAL ELECTRICAL CODE AND APPLICABLE LOCAL CODES. A GROUNDING TERMINAL IN THE HEATER SPLICE COMPARTMENT IS PROVIDED FOR THIS PURPOSE.

### TO INSTALL DBTS:

1. ONCE INSTALLATION HEIGHT HAS BEEN DETERMINED, PROPER MARKINGS ALONG THE WALL SHOULD BE MADE TO INSURE THAT THE HEATER WILL MOUNTED EVENLY. IF THE WALL SURFACE IS NOT EVEN, ATTACH THE BACK PANEL TO THE HIGH SPOTS. THIS WILL ELIMINATE A DISTORTED APPEARANCE. SHIMS CAN BE USED TO MAINTAIN A STRAIGHT LINE ALONG THE FRONT SURFACE IF NECESSARY. SERIES DBTS HEATERS MUST BE MOUNTED A MINIMUM OF 2" FROM FINISHED FLOOR.
2. WHEN MULTIPLE HEATERS ARE TO BE WIRED TOGETHER, REMOVE TERMINAL BOX END KNOCKOUTS.
3. MOUNT THE BACK PANEL TO THE WALL USING SUITABLE FASTENERS (BY INSTALLER).
4. WHEN HEATER SECTIONS ARE MOUNTED END TO END, INSTALL A CHASE NIPPLE AND LOCKNUT IN THE TERMINAL BOX END KNOCKOUTS TO INSURE GROUNDING CONTINUITY AND TO PROTECT THE WIRING. WHERE HEATER SECTIONS ARE SPACED APART, RIGID CONDUIT (BY INSTALLER) SHOULD BE USED TO ENCLOSE THE WIRE AND INSURE GROUNDING CONTINUITY. USE RIGID CONDUIT (BY INSTALLER) WHEN WIRING THROUGH CORNER SECTIONS TO ENCLOSE WIRE AND INSURE GROUNDING CONTINUITY.

### NOTICE:

"TO REDUCE THE RISK OF FIRE, DO NOT USE GASOLINE OR OTHER FLAMMABLE VAPORS AND LIQUIDS IN THE VICINITY OF THE HEATER"

**NOTICE:**

TO ENSURE A PROPER INSTALLATION, MAKE SURE THAT ALL PIECES ARE SECURELY SNAP FITTED. FOR EASE OF INSTALLATION, SNAP BOTTOM OF FRONT COVER FIRST, AND THEN SNAP TOP PART OF THE FRONT COVER TO THE BACK PLATE. DO NOT OPERATE HEATER UNLESS FRONT COVER IS IN PLACE.

**CAUTION: HIGH TEMPERATURES**

KEEP ELECTRICAL CORDS, FURNITURE, DRAPERIES OR ANY OTHER BLOCKING MATERIAL AWAY FROM HEATER. DO NOT INSTALL HEATERS AGAINST PAPERBOARD OR LOW DENSITY FIBERBOARD SURFACES. DO NOT PLACE HEATER BELOW ELECTRICAL CONVENIENCE RECEPTACLE.

**NOTICE:**

WHEN USING EITHER 1/2" OR 3/4" EMT FOR FIELD WIRING, DO NOT EXCEED ALLOWABLE NUMBERS OF CONDUCTORS ACCORDING TO THE NATIONAL ELECTRIC CODE.

CONTROLS: ALL CONTROLS ARE MOUNTED IN 6 OR 12" CONTROL SECTION.

DESCRIPTION: SINGLE POLE

CATALOG NO.: DBTS-ITS

RATED 25 AMPS AT 120-277, 50-90°F

TEMPERATURE RANGE. TAMPERPROOF

AND ADJUSTABLE THRU DISCHARGE

LOUVER.

DESCRIPTION: DOUBLE POLE THERMOSTAT

CATALOG NO.: DBTS-ITD

RATED 25 AMPS AT 120-277, 50-90°F

TEMPERATURE RANGE. TAMPERPROOF

AND ADJUSTABLE THRU DISCHARGE

LOUVER.

DESCRIPTION: DISCONNECT SWITCH

CATALOG NO.: DBTS-IDS

DOUBLE POLE RATED 20 AMPS AT

120-277V.

FIELD WIRING WITH INTEGRAL CONTROLS

• INTEGRAL THERMOSTATS: WIRE ENTRY

FROM EITHER END, CONTROL SECTION.

• DISCONNECT SWITCH: RIGHT HAND ENTRY,

CONTROL SECTION.

• RELAYS: RIGHT HAND ENTRY-CONTROL

SECTION

• THERMOSTAT, DISCONNECT AND RELAY:

RIGHT HAND ENTRY-CONTROL SECTION.

WHEN HEATERS ARE FURNISHED WITH

CONTROLS, MAKE CERTAIN THAT THE

HEATER OR HEATERS DO NOT EXCEED

THE LOWEST AMPERAGE RATING OF

THE CONTROLS FURNISHED. FOR

EXAMPLE, IF A THERMOSTAT AND

DISCONNECT ARE FURNISHED, THE

THERMOSTAT IS RATED AT 25 AMPS

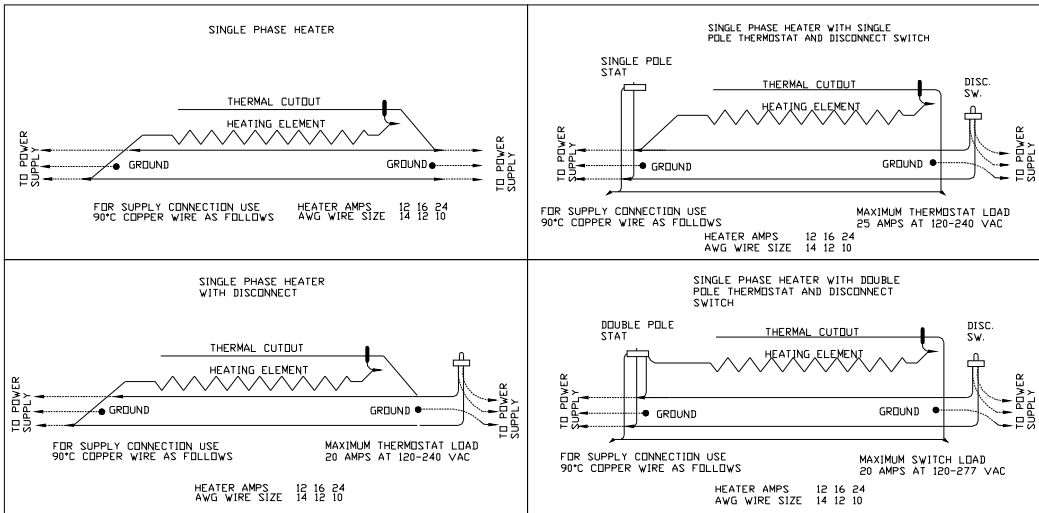
AT 240 AND 277. THE DISCONNECT IS

RATED 20 AMPS, 240 AND 277. THE

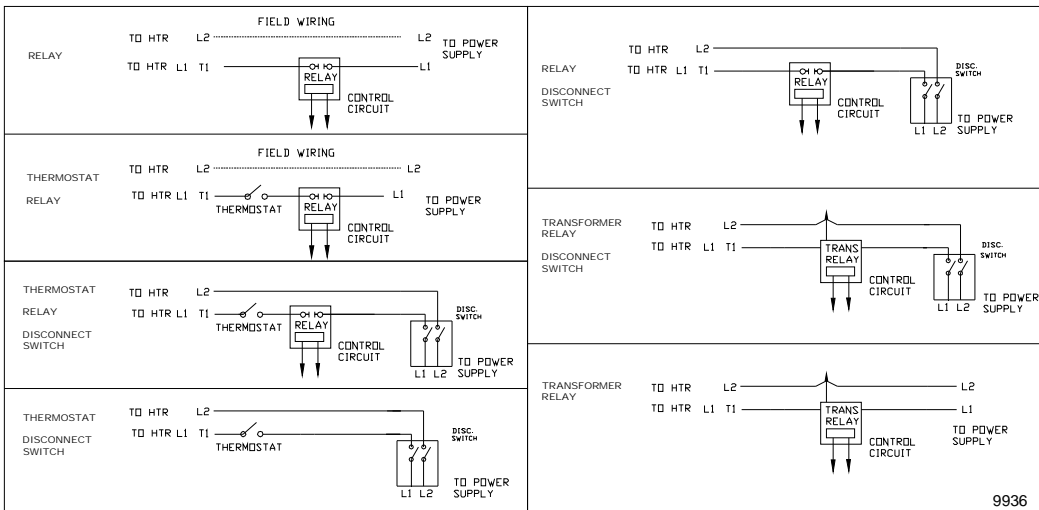
COMBINATION OF HEATERS SHOULD

NOT EXCEED 20 AMPS AT 240 OR 277.

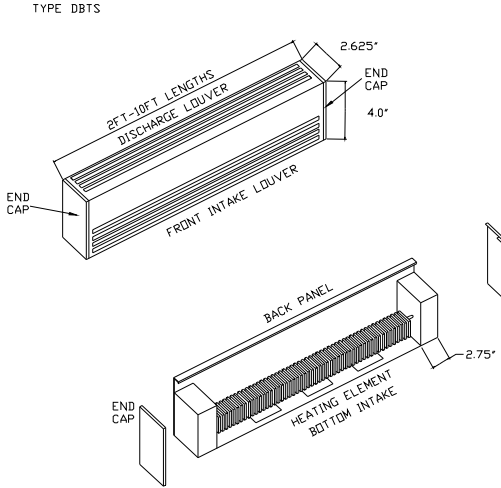
## WIRING DIAGRAMS



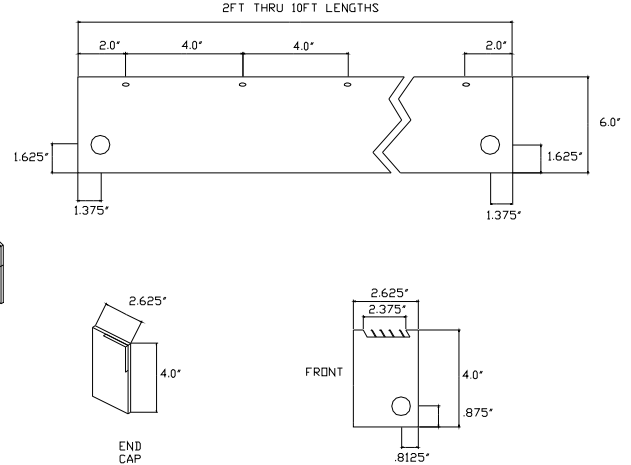
## WIRING DIAGRAMS-CONTROL SECTION



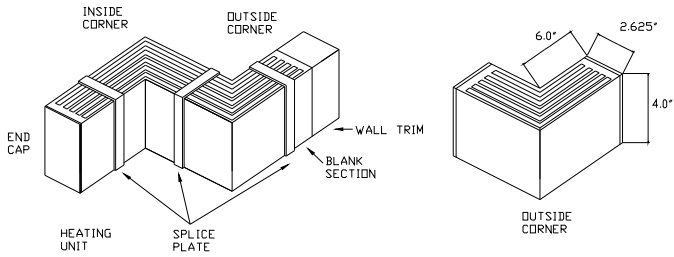
# INSTALLATION



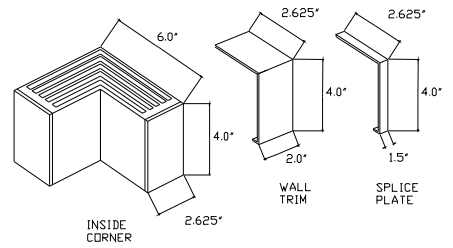
# KNOCKOUTS AND MOUNTING HOLES TYPES DBTS



# TYPICAL INSTALLATION



# ACCESSORIES



ARCHITECTURAL PEDESTAL HEATERS  
 SERIES DBTS-PD  
 DBTS 100-250 WATTS PER FOOT

