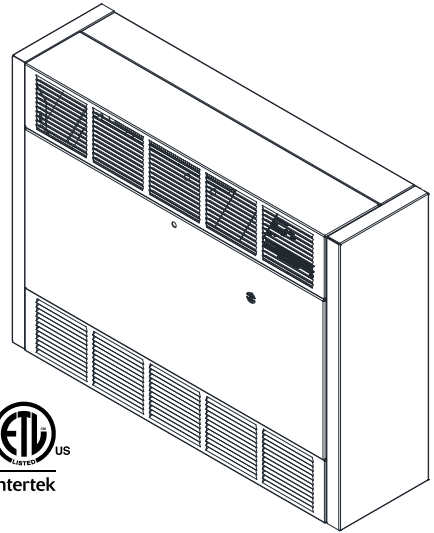


  
**MADE IN  
THE U.S.A.**

**T/6300 SERIES**  
 Multi-Angle Cabinet Unit Heater

|                     |  |              |  |
|---------------------|--|--------------|--|
| <b>CUSTOMER</b>     |  | <b>DATE:</b> |  |
| <b>PROJECT</b>      |  |              |  |
| <b>LOCATION</b>     |  |              |  |
| <b>ARCHITECT</b>    |  |              |  |
| <b>ENGINEER</b>     |  |              |  |
| <b>CONTRACTOR</b>   |  |              |  |
| <b>SUBMITTED BY</b> |  |              |  |
| <b>APPROVED BY</b>  |  |              |  |
| <b>APPROVED BY</b>  |  |              |  |



**SUBMITTAL DATA SHEET**

| QTY | MODEL | TAG | WATTAGE | VOLTS | PHASE | AMPS | CFM | DISCONNECT | THERMOSTAT | OPTIONS |
|-----|-------|-----|---------|-------|-------|------|-----|------------|------------|---------|
|     |       |     |         |       |       |      |     |            |            |         |
|     |       |     |         |       |       |      |     |            |            |         |
|     |       |     |         |       |       |      |     |            |            |         |
|     |       |     |         |       |       |      |     |            |            |         |
|     |       |     |         |       |       |      |     |            |            |         |
|     |       |     |         |       |       |      |     |            |            |         |
|     |       |     |         |       |       |      |     |            |            |         |

**NOTES/SPECIAL INSTRUCTIONS:**

**HOW TO DESIGNATE A MODEL:**

|   |  |   |   |  |  |  |   |   |   |   |   |
|---|--|---|---|--|--|--|---|---|---|---|---|
| <b>63/T</b>   | <b>46</b>  | <b>D</b>  | <b>08</b>   | <b>24</b>  | <b>1</b>   | <b>2</b>   | <b>B3</b>   | <b>S</b>  | <b>D</b>  | <b>O</b>  | <b>F</b>  |
| <u>Series Number</u><br>63 = Markel T = Raywall T=Reddi | <u>Cabinet Size</u><br>33=33" 46 = 46" 66 = 66" 79 = 79" | <u>Air Flow Configuration</u><br>A = Bottom in / Top out B = Bottom in / Front out<br>C = Front in / Top out D = Front in / Front out | <u>Element KW</u><br>2KW through 24KW<br>See model chart for length and KW options. | <u>Element Voltage</u><br>20 = 208V 24 = 240V 27 = 277V<br>41 = 415V 48 = 480V 57 = 600V | <u>Phase</u><br>1 = Single Phase 3 = Three Phase | <u>Number of Wires in Electrical Service</u><br>2 or 3 | <u>Control Options</u><br>B3, B4, B5, B6<br>SD - Setback<br>(see control options chart) | <u>Summer Fan Switch</u><br>S = Included O = Not Included | <u>Disconnect Option</u><br>D = Disconnect Switch<br>O = None | <u>Motor Fusing Option</u><br>M = Required O = Not Required | <u>Disposable Filter Option</u><br>F = Required O = Not Required<br>L - Locking Front Cover |

## Control Option (Step 8 on Model Designator)

| SUFFIX | DESCRIPTION  |
|--------|--|
| B3     | In-Built 1-Stage Stat and Relays which are operated by an internal 24 Volt source. (40 °F-110 °F)  |
| B4*    | In-Built 1-Stage Stat and Relays which are operated by an internal 120 Volt source. (40 °F-110 °F) |
| B5     | In-Built 2-Stage Stat & Relays which are operated by an internal 24 Volt source. (40 °F-120 °F)    |
| B6*    | In-Built 2-Stage Stat and Relays which are operated by an internal 120 Volt source. (40 °F-120 °F) |
| SD     | Setback Thermostat   |

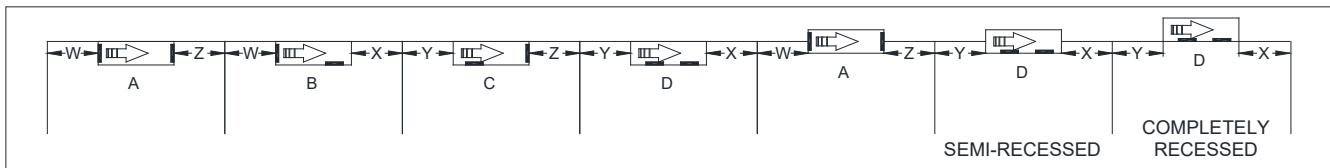
### Options consist

- Heavy 16 gauge steel construction
- Fin-Tubular heating elements
- Single or two stage operation
- Automatic and Manual overheat protection
- Centrifugal fan blower with two speed motors
- Multiple intake and exhaust configurations
- Recessed or surface mount in wall or ceiling
- Powder coat paint finish
- Single and two stage thermostats
- Disconnect
- Summer fan switch
- Motor fusing
- Replaceable or washable filters
- Duct collars
- Locking front cover
- Trim frames for recess mounting
- Fresh air make-up and kick base

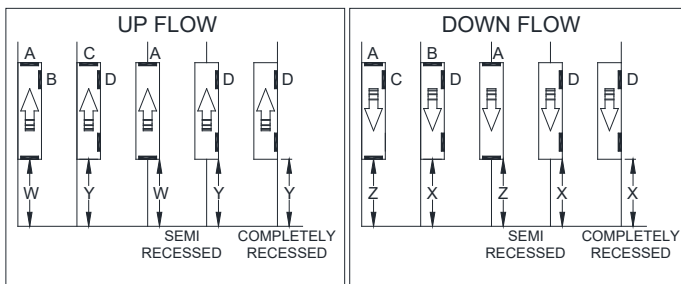
## Product Features (2-24 KW; All Voltages)

- For commercial and institutional application such as stores, schools, offices, transportation terminals, churches, entranceways.
- Wall or ceiling mount; surface, semi-recessed or fully recessed.
- (8) air inlet and outlet configurations.
- Capacities from 2-24 KW with 230 to 1,000 CFM
- Motors are two speed, shaded pole, resilient mounted, direct drive. High/low heat and blower speed offer versatility.
- ETL Listed.
- Beige powder coated finish
- Choice of eight standard control options include unit or wall mounted 120 or 24V thermostats, with or without built-in control transformers, setback thermostat option
- Industrial type finned tubular elements.
- Easily removable fan and element decks for simplified maintenance.
- Full length thermal protection.
- Limited warranty-one year.
- Optional locking front cover

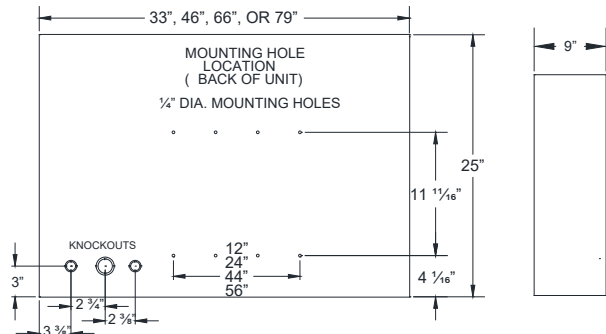
## Mounting Configurations



CEILING MOUNTED



WALL MOUNTED



**NOTE:** Semi-recessed units are to be recessed at a maximum of 3 1/2" unless grille configuration is front in and front out.

**MOUNTING CLEARANCES:** Proper clearances are indicated for each mounting configuration on all positions. Minimum clearance from side of unit to the wall is zero inches. Mounting inches are provided in the back of the cabinet, accessible through the blower compartment, if necessary, remove blower deck if additional mounting screws or bolts are desired. Blower deck may be slipped forward by loosening four screws at the front to provide access to mounting holes.

## Stocked Models & Features

| HEATER LENGTH               | MFG CATALOG NUMBER | MFG MODEL NUMBER   | HIGH |       |             |     | LOW |       |             |     | VOLTS | PHASE    | WT. (LBS) |
|-----------------------------|--------------------|--------------------|------|-------|-------------|-----|-----|-------|-------------|-----|-------|----------|-----------|
|                             |                    |                    | KW   | BTUs  | AMPS        | CFM | KW  | BTUs  | AMPS        | CFM |       |          |           |
| 33"                         | 06671402           | 6333D052033B30D0F  | 5    | 17065 | 25.0 / 17.6 | 250 | 3   | 10239 | 15.4 / 9.2  | 230 | 208   | 1-3*     | 99        |
|                             | 06671502           | 6333D052433B30D0F  |      |       | 21.8 / 15.4 |     |     |       | 13.5 / 8.2  |     | 240   | 1-3*     |           |
|                             | 06670802           | 6333D054833B30D0F  |      |       | 7.8         |     |     |       | 4.6         |     | 480   | 3        |           |
| 46"                         | 06671902           | 6346D102433B30D0F  | 10   | 34130 | 43.6 / 30.7 | 500 | 6   | 20478 | 26.9 / 16.2 | 460 | 240   | 1-3*     | 130       |
|                             | 06672002           | 6346D104833B30D0F  |      |       | 15.4        |     |     |       | 8.1         |     | 480   | 3        |           |
| <b>International Models</b> |                    |                    |      |       |             |     |     |       |             |     |       |          |           |
| 33"                         | 04736202           | 6333D053834B30D0F1 | 5    | 17065 | 7.6         | 250 | 3   | 10239 | 4.56        | 230 | 380   | 3        | 99        |
|                             | 04736302           | 6333D054134B30D0F1 |      |       | 6.97        |     |     |       | 4.18        |     | 415   |          |           |
| 46"                         | 04736402           | 6346D103834B30D0F1 | 10   | 34130 | 15.2        | 500 | 6   | 20478 | 9.12        | 460 | 380   | (4-Wire) | 130       |
|                             | 04736502           | 6346D104134B30D0F1 |      |       | 13.94       |     |     |       | 8.36        |     | 415   |          |           |

- 1 / 3 phase field convertible with 24 volt control circuit
- Disconnect switch, dust filter & high low operation
- Built-in thermostat and field convertible for remote thermostat

\*Factory wired for 3-phase, field convertible to 1-phase.

## Accessories

| MFG CATALOG NUMBER           | MFG MODEL NUMBER | SIZE | DESCRIPTION   |
|------------------------------|------------------|------|---|
| <b>DUCT COLLAR</b>           |                  |      |   |
| 04415602                     | DC-33            | 33"  | The same model is used for the inlet or outlet.<br>If duct collars are required for both inlet & outlet then 2 must be ordered. |
| 04415702                     | DC-46            | 46"  |   |
| 04415802                     | DC-66            | 66"  |   |
| 04415902                     | DC-79            | 79"  |   |
| <b>RECESSING TRIM FRAMES</b> |                  |      |   |
| 04537802                     | TF-33            | 33"  | Recessing Trim Frames should be ordered to "trim-out" any recessed or semi-recessed installation.                               |
| 04537902                     | TF-46            | 46"  |   |
| 04538002                     | TF-66            | 66"  |   |
| 04538102                     | TF-79            | 79"  |   |

| MFG CATALOG NUMBER                                    | MFG MODEL NUMBER | SIZE |
|---|------------------|------|
| <b>Fresh Air Make-Up Intake Flange &amp; Kickbase</b> |                  |      |
| 07715802  | FAM33            | 33"  |
| 07715902  | FAM46            | 46"  |
| 07716002  | FAM66            | 66"  |
| 07716102  | FAM79            | 79"  |
| <b>Kickbase (Pedestal) ONLY</b>                       |                  |      |
| 07715402  | KB33             | 33"  |
| 07715502  | KB46             | 46"  |
| 07715602  | KB66             | 66"  |
| 07715702  | KB79             | 79"  |

## Product Specifications

The electric cabinet unit heater is designed for mounting in any position, fully recessed, semi-recessed or surface mounted. All capacities, voltages, physical sizes, grille arrangements and options shall be as specified on the plans. All units must be field convertible to the following:

1. For control by a field supplied remote thermostat.
2. Load management control with an external dry switch. When closed unit operates under control of either the internal or the external thermostat. When open, unit turns off.
3. Any grille arrangement.

**CABINET & CONSTRUCTION:** The cabinet shall be constructed of heavy duty 16 gauge Zinc coated steel. The heater shall have a removable front door for easy access to the control panel, elements, motor-blower assembly, filters and all internal components. The grill configuration must be easily field convertible to any air flow configuration (by removal of no more than four fasteners). The cabinet shall have a textured finish of two coats of powder coat epoxy and be suitable for use with optional kick space base. Made in U.S.A.

**HEATING ELEMENTS:** The heating elements shall be warranted for 1 year and shall be non-glowing design consisting of special high temperature resistance wire enclosed in an incoloy sheath to which steel fins are furnace brazed. The heating elements shall be located directly in front of the blower discharge air for uniform heating. They shall be mounted with a single anchor at one end to minimize effects of thermal expansion and contraction.

**SAFETY CUTOFF:** Thermal safety limits shall be built into the system to automatically shut off heater in event of overheating due to any cause. The safety cutoffs shall be of two types:

- A. The primary limit shall be an automatic capillary type to sense the heat along the full length of the heating elements. It shall de-energize the heaters by opening the coil circuit on the heating contactors.
- B. The secondary limit shall be a manual reset thermal device to interrupt power to the heating elements.

**MOTOR AND BLOWER ASSEMBLY:** The motors and blowers shall be direct drive and resiliently mounted on rigid heavy gauge frame for quiet operation and long life. The motor shall be two-speed, shaded pole type, rated for the voltage (480 to 600 Volts are single speed only). Each shall have built-in automatic reset overload protection and are life time lubricated. The motor shall be vented and mounted in the air stream to provide maximum cooling of the motor.

**HIGH AND LOW HEAT RANGES:** All units will be supplied as standard with a switch for selecting full heat at high fan speed or reduced heat at low fan speed (On 480 & 600 Volt units the switch changes the heat but not the fan speed).

**OVER CURRENT PROTECTION:** Circuit breakers shall be provided for branch circuit protection where required by NEC. Circuit breakers are optional on all other heaters.

**TEMPERATURE CONTROL:** Integral factory installed thermostat shall be tamper resistant, linear capillary type. Optional setback thermostat available.