

## 3320 SERIES

### 1. LOCATION OF HEATER:

- A. Heater is mounted on the wall near ceiling or floor, air flow down.
  - CAUTION:** Do not obstruct the front grille of the heater with curtains, furniture, etc., since the proper operation of the heater requires a free flow intake and exhaust of air.
- B. Minimum mounting height is 8" above finished floor.
- C. For surface mounting use adapter AFAA/3320EX33.
- D. For semi-recessed mounting, use adaptor AFAA-2/3320EX16.

### 2. BEFORE MOUNTING:

- A. Insure that the supply voltage matches voltage rating on the label of the heater.
- B. Turn off electrical power to heater circuit.

### 3. MOUNTING INSTRUCTIONS:

- A. Disassemble heater by removing 7 screws "C" as shown in Figure 1 and 2.
- B. Flush mounting, see Fig. 1.
  - Place rough-in box "A" between studs at desired height: secure to studs through holes "M". The flanges on the rough-in box must rest on the surface of the finished wall; if the box is installed prior to the application of the finished wall, allowance must be made for the wall thickness.
- C. Surface mounting, See Fig. 1.
  - Insert rough-in box "A" into surface adapter "E". Secure the heater rough-in box to wall at desired height through holes "X". Be sure that the rough in box is centered in surface adapter. For surface mounting, bring wiring through bottom knockout "K" only.
- D. Semi-recessed mounting: Secure rough-in box so that the long flanges extend away from the finished wall equal to the depth of the adaptor. Bring service in through top or bottom knockout "K".
- E. Place assembly "B" into rough-in box "A". Secure with six screws "C".

### 4. WIRING INSTRUCTIONS REF: WD1, WD2, WD3, WD4, WD5, WD6

- A. Bring service leads through knockout "K" on top or bottom of rough-in box for flush or semi-recessed mounting, bottom knockout "K" only for surface mounting. When wiring from the bottom, install wire through cover "G" by removing screw "H".
- B. Attach service leads to two black leads on 208-240 volt models and to black and white leads on 120-277 volt models, attach ground lead to green wire with approved connectors. Comply with all national and local codes.
- C. Attach wiring compartment cover "D" to assembly with screw "C".

### 5. FINAL STEPS:

- A. Clean all construction dirt and debris from inside heater.
- B. Attach front grille "F" with four screws "L".
- C. Place grille frame over tabs on top of grille, snap bottom in place. For added security install screw "Q" into bottom of frame.

### 6. OPERATING INSTRUCTIONS:

- A. Turn on power at the circuit breaker panel.
- B. Thermostat adjustment is made by inserting a small blade screw driver through grille opening into slot in stem. Turn thermostat adjustment stem fully clockwise, this will energize the heating element and after a short delay, the fan should energize, causing warm air discharge from bottom of the grille.
- C. After the desired temperature is reached, turn thermostat stem counter clockwise until a click is heard from the thermostat.
- D. Models with double-pole thermostats: Turn thermostat adjustment stem fully counter-clockwise, this will de-energize the heating element and fan.

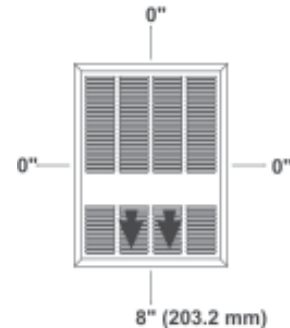
# INSTALLATION INSTRUCTIONS



TPI Corporation  
P.O. Box 4973  
Johnson City, TN  
37602-4973

America's Comfort Conditioning Company

Wall Installation



### 7. CLEANING AND MAINTENANCE INSTRUCTIONS:

- A. At the beginning of each heating season, disconnect electrical power at circuit breaker panel. Remove front grille.
- B. Use the narrow (crevice) suction attachment of the vacuum cleaner to remove dust and lint from heater and heating element.
- C. Lubricate the motor with SAE No. 10 oil. Two (2) oil spouts are located on front and back of motor.
- D. Reinstall front grille with previously removed screws. Restore power to the heater.

FIG. 1 FLUSH MOUNT

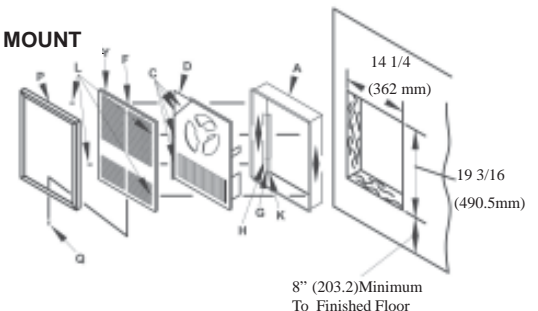
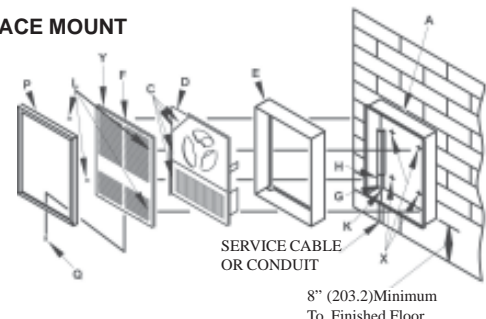
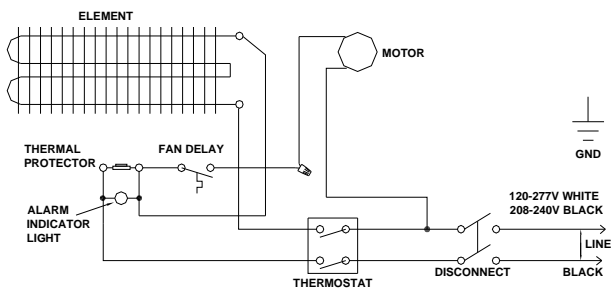


FIG. 2 SURFACE MOUNT

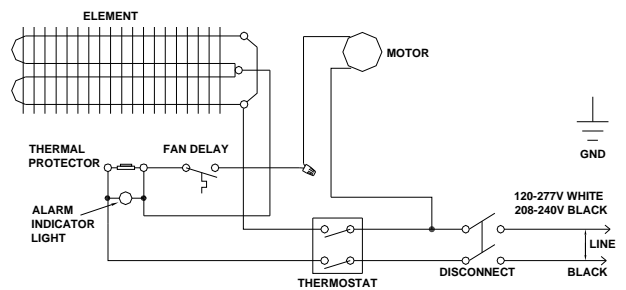


Note: This heater employs a visual alarm (light) to warn that parts of the heater are getting excessively hot. If the alarm illuminates, immediately disconnect power from heater and inspect for any objects on or adjacent to the heater that may cause high temperatures. DO NOT OPERATE HEATER WITH THE ALARM (LIGHT) ILLUMINATED.

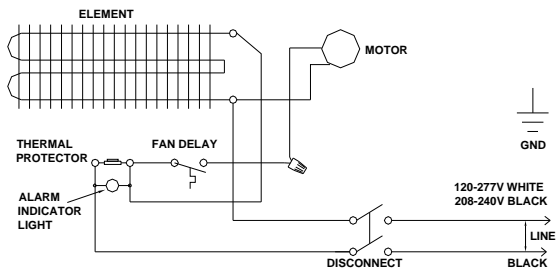
# 3320 SERIES



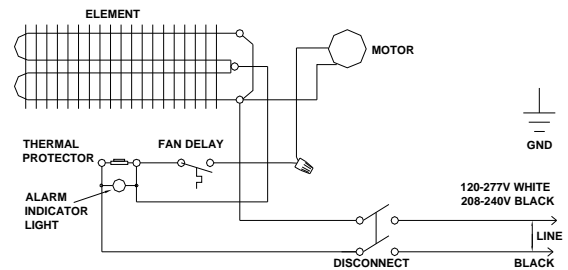
WD-1



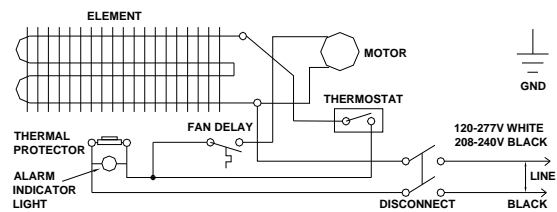
WD-5



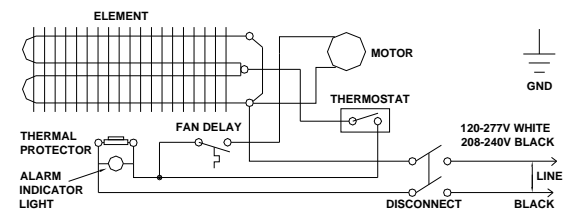
WD-2



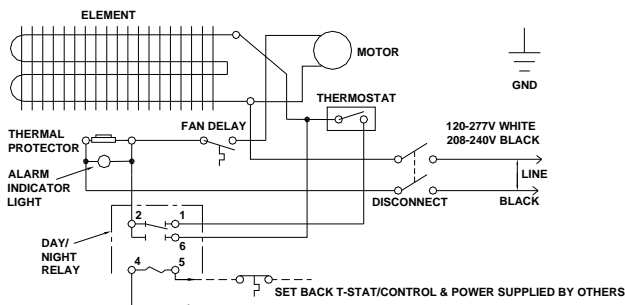
WD-6



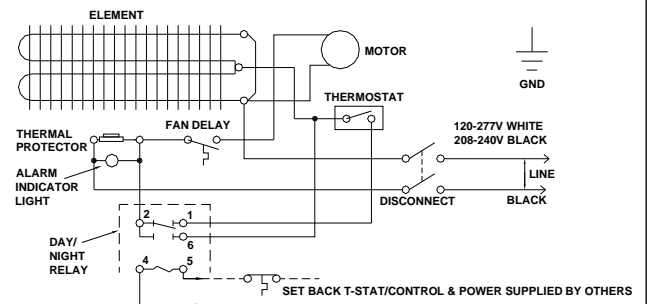
WD-3



WD-7



WD-4



WD-8

WD #	MODEL #	OPTIONS
WD-1 WD-2 WD-3 WD-4	All models except E3321, HF3325 & HF3326	3320 with Disconnect and Double Pole Thermostat 3320 with Disconnect 3320 with Disconnect and Single Pole Thermostat 3320 with Disconnect, Single Pole Thermostat and Day/Night Relay
WD-5 WD-6 WD-7 WD-8	E3321, HF3325 & HF3326	3320 with Disconnect and Double Pole Thermostat 3320 with Disconnect 3320 with Disconnect and Single pole Thermostat 3320 with Disconnect, Single Pole Thermostat and Day/Night Relay

Form 9822  
ECO # 1-5800

**IMPORTANT: OWNER SHOULD RETAIN THESE INSTRUCTIONS FOR FUTURE REFERENCE**