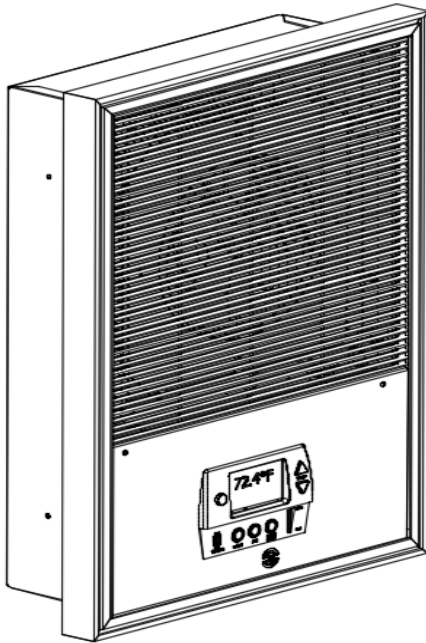


3450SD SET-UP AND OPERATION

INSTALLATION INSTRUCTIONS



TPI Corporation
P.O. Box 4973
Johnson City, TN
37602-4973

America's Comfort Conditioning Company

FEATURES

- Multi-Stage operation.
- Occupancy Sensor.
- Range: 50-90 Deg. F
- Setback up to 12 degrees F.
- Sixty-five second delay between stages.
- Ninety second purge time.

INSTALLATION

All **GENERAL SAFETY INFORMATION** and **INSTALLATION INSTRUCTIONS** must be adhered to. See additional installation instructions supplied with this unit.

1. After heater is mounted in the wall box remove the control cover. The control cover is secured with tamper-resistant screws. A screwdriver bit is supplied in the parts kit.
2. Wiring must conform to the National Electric Code and all applicable local codes.
3. Install two #8 x 5/16" screws into bottom flange of wall box. Leave approximately 1/16" gap between screw head and flange. See Fig.1 These screws are supplied in the parts package.
4. Install control cover. Insert slots in bottom of control cover over the two #8 x 5/16" screws. Secure the top of control cover with the tamper-resistant screws previously removed.

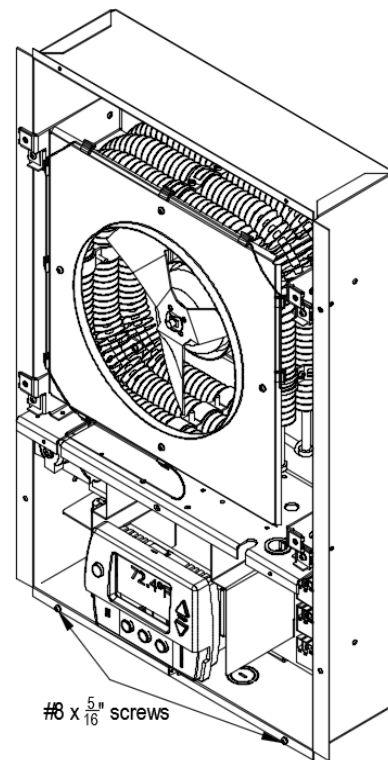
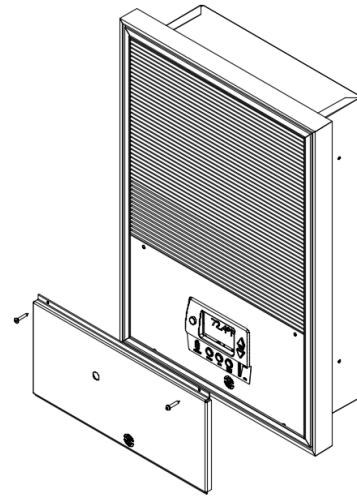
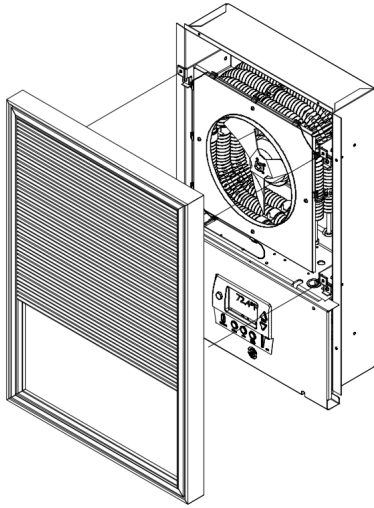


Fig. 1



6. Install the grille using the hex key provided in the parts package. The mounting screws are captured in the grille.

7. Install the tamperproof cover if required. Insert the bottom flange behind grille frame and secure the top with the same tamper resistant screws attaching the control cover.

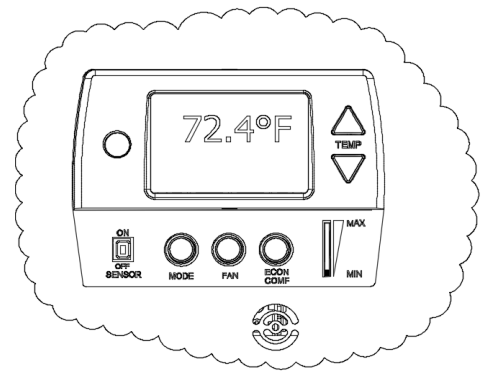
SET-UP AND OPERATION

Note: The SD thermostat is pre-programmed at the factory. Programming cannot be field modified.

When power is applied the back light will flash on.

MODE

Press the mode button until 'Heat' is displayed on the screen.



TEMPERATURE SETTING

Press the up or down buttons to change temperature to desired setting.

FAN

Press the fan button to choose 'Auto' or 'On'. In the auto position the fan cycles with the thermostat. In the on position the fan will run continuously.

ECONOMY/COMFORT

Select either the economy or comfort mode. The economy mode allows the thermostat to automatically go into the economy mode if the occupancy sensor does not detect movement for one hour. **Note: The Sensor switch must be in the 'ON' position to automatically switch between Comfort and Economy.**

SET ECONOMY OFFSET

The offset range is 0-12 Deg. F. Adjust the offset range by sliding the the offset switch up to the desired value. The offset will be displayed on the screen.

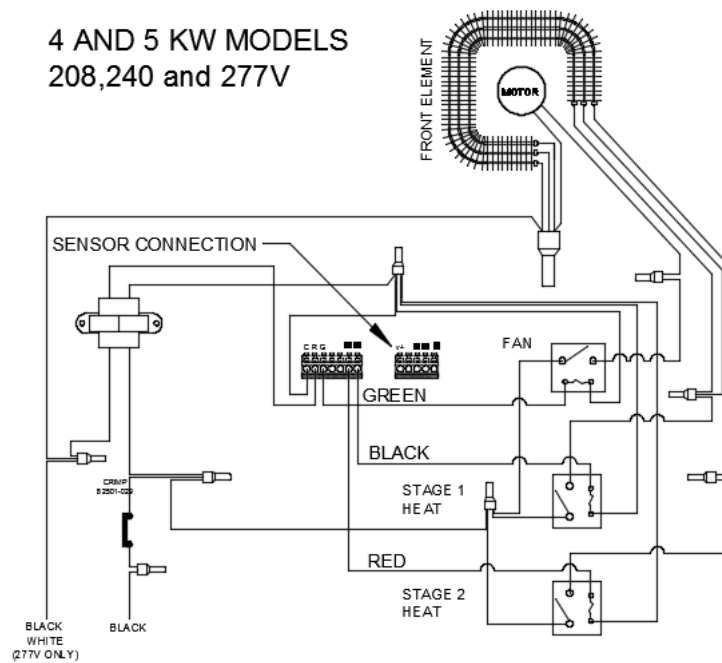
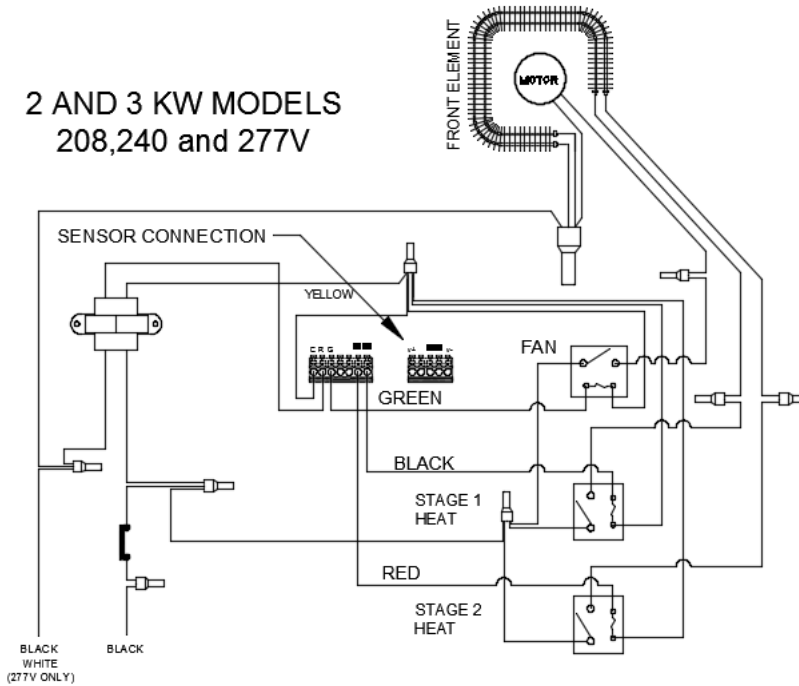
LOCKING THE KEYPAD

The “setback on Demand” thermostat incorporates a feature that will lock all of it’s settings. To lock wait until the backlight is off. Press and hold both Arrow buttons. While holding the arrow buttons press the Mode button. ‘Keypad Off’ will appear in the display. To unlock, repeat procedure.

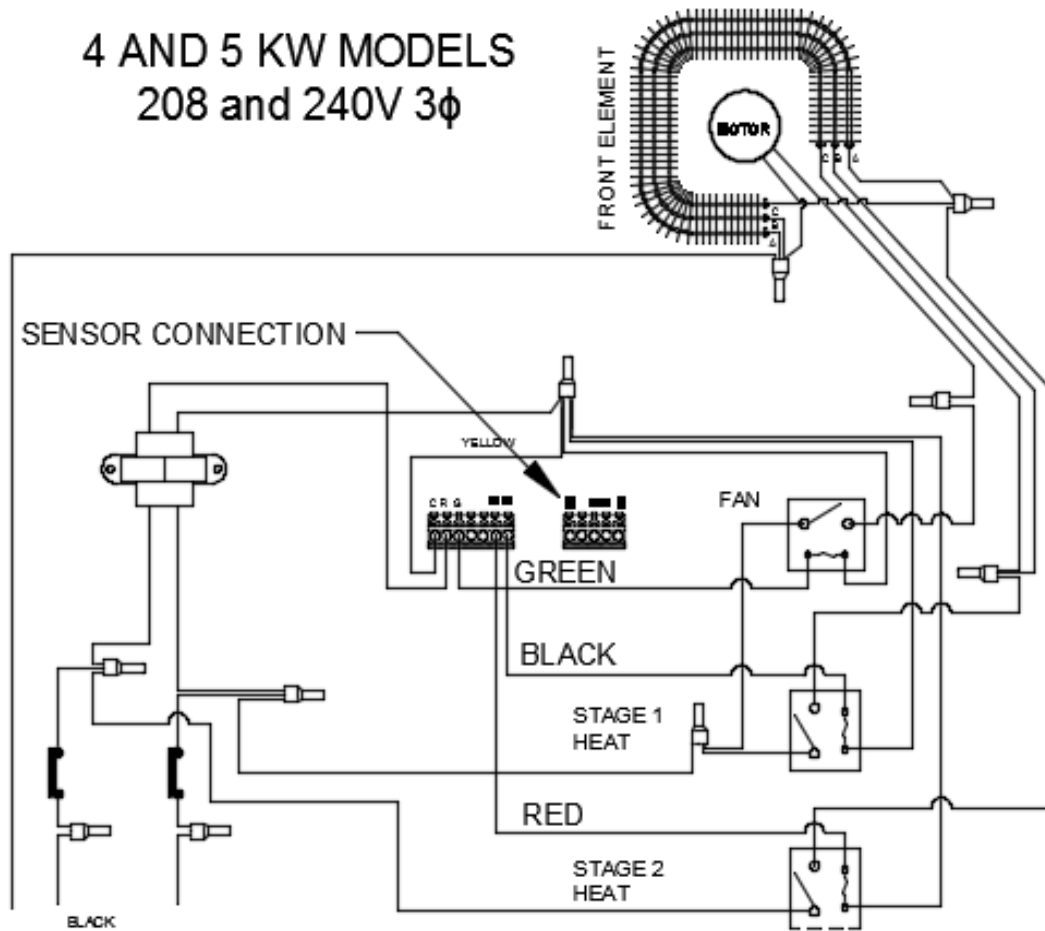
FAHRENHEIT/CELSIUS

To change from Fahrenheit to Celsius, place the mode to off, then press and hold the up and down arrows for 5 seconds. Repeat procedure to change back.

WIRING DIAGRAMS



4 AND 5 KW MODELS
208 and 240V 3 ϕ



REMOTE SENSOR CONNECTION

- V- WHITE
- TC GREEN
- TD BLACK
- V+ RED

