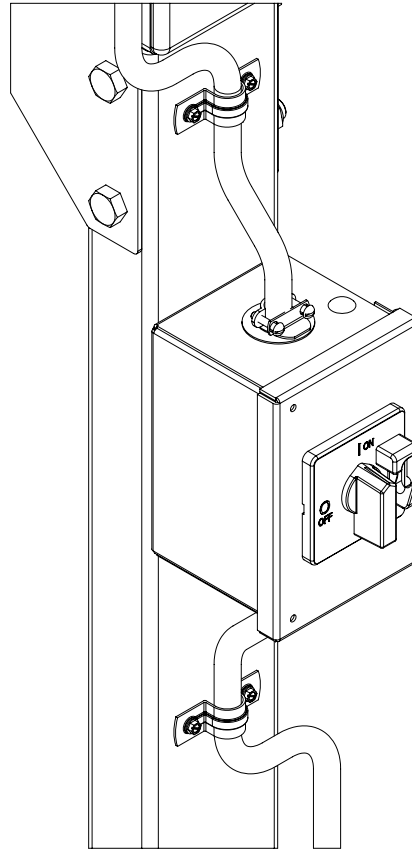




Industrial Air Circulator Instructions

For All HV-7 Disconnect Kits

READ AND SAVE THESE IMPORTANT INSTRUCTIONS

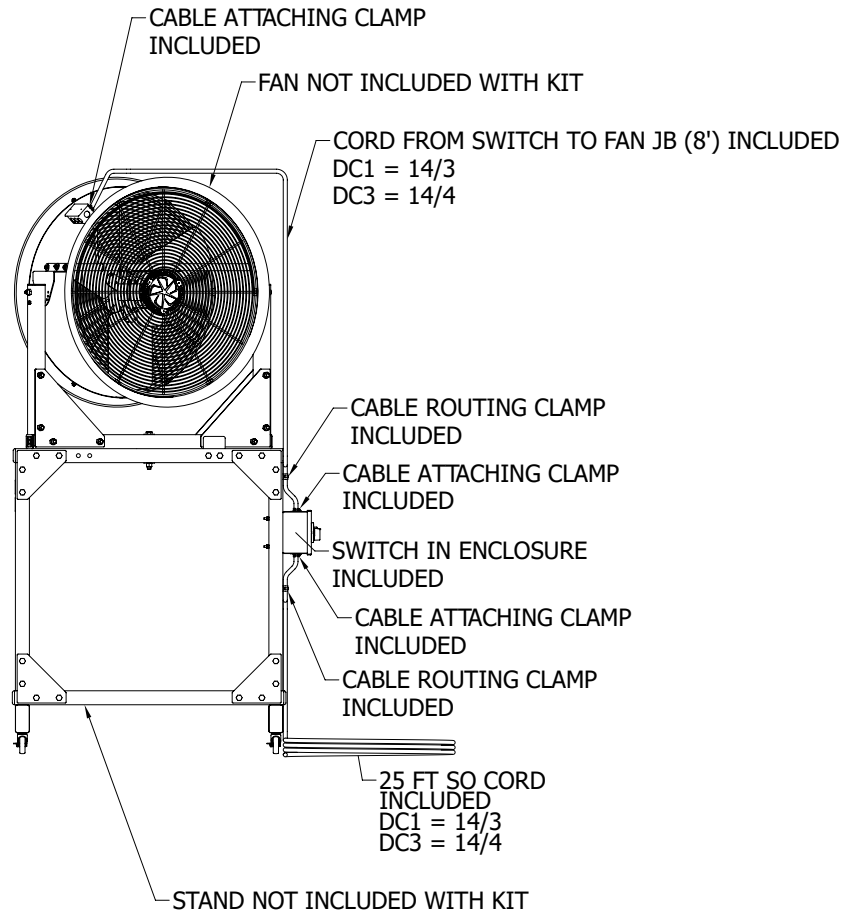


This TPI disconnect kit is intended for use with TPI High Velocity Fans mounted to TPI Floor Stands. It may be used without Floor Stand accessories but additional mounting hardware may be required.

It is important that the following safety precautions be followed when using this product:

- **WARNING:** To reduce the risk of fire, electrical shock, or injury to persons, observe the following: Use this unit only in the manner intended by the manufacturer. If you have questions, contact the manufacturer.
- Installation work and electrical wiring must be done by qualified person(s) in accordance with all applicable codes and standards, including fire-rated construction.
- When cutting into wall or ceiling, do not damage electrical wiring and other hidden utilities.
- **Avertissement:** Pour réduire les risques d'incendie ou de choc électrique, ou de blessures, respectez les consignes suivantes:
- Utiliser cette unité uniquement de la manière prévue par le fabricant. Si vous avez des questions, contactez le fabricant.
- lorsque la manivelle de la déconnexion n'est pas bloquée, fixez solidement un avertissement bien en évidence, comme une étiquette sur le panneau de service. Les travaux d'installation et de câblage électrique doivent être effectués par des personnes qualifiées conformément à tous les codes et normes applicables, y compris la construction par incendie.
- Lorsque vous coupez dans le mur ou le plafond, n'endommagez pas le câblage électrique et d'autres utilitaires cachés.

INSTALLATION INSTRUCTIONS



Choose mounting location for switch. Holes are precut on either side of the Floor Stands: one on the vertical tubing, and one on the horizontal tubing. Use supplied bolts and nylon insert nuts to secure to frame.

Use shorter length of supplied cable to connect load terminals on switch to motor junction box. Secure cable with included cable clamps and routing clamps.

This kit uses standard TPI disconnect switch DC-SK-1. Reducer washers are included to adapt the supplied 1/2" cable clamps to the 3/4" knockouts prepunched in the switch enclosure.

Use longer length of supplied cable to connect lead terminals on switch to power supply. Secure cable with included cable clamps and routing clamps. Note that power supply connection, such as a plug, is not included.

For three-phase fans, test rotation after wiring. Fan blade must rotate clockwise viewed from the air outlet. Fan blade rotation direction is labelled on the fan. To reverse rotation, disconnect all power and switch any two leads at any convenient location.

Securely tighten all fasteners.

For additional information on TPI Products or replacement parts, call TPI Customer Service Department at 1-800-251-0382 or write the address below.

PO. Box 4973 • Johnson City, Tennessee 37602-4973 • 423-477-4131 • FAX 423-477-0683