

## Industrial Air Circulator Instructions

For All Non-Swivel Style Portable Blowers Model PBX

READ AND SAVE THESE IMPORTANT INSTRUCTIONS

It is important that the following safety precautions be followed when using this products:

- ALWAYS unplug unit for cleaning or maintenance.
- ALWAYS unplug unit when not in use.
- ALWAYS unplug unit when moving unit from one location to the next.
- ALWAYS plug fan into a properly rated electrical outlet.
- DO NOT place foreign objects through guards into blades.
- DO NOT allow the unit to become wet or damp.
- DO NOT over tension fan belt.

**WARNING:** To avoid risk of fire or electrical shock, **DO NOT** use this fan with any solid state speed control.

### OPERATING INSTRUCTIONS

This unit is equipped with an off/on switch, which allow you to select a desired amount of air delivery. TPI Air Circulators can be used alone or in conjunction with an air conditioner to circulate and force cooled air into other areas. During normal operation it is not uncommon for the motor to be warm to the touch. The motor is equipped with a thermo-protector will automatically d-energize the fan if it were to over heat for any reason. If this should happen immediately disconnect unit from the power outlet. If an extension cord is required use only a 14/3 wire gauge minimum for lengths of up to 50 feet and 12/3 wire gauge for lengths over 50 feet.

### CLEANING/MAINTENANCE INSTRUCTIONS

All maintenance should be done by either TPI Corporation or a qualified electrician. The motor bearings are lubricated at the factory and should not require any additional lubrication. However, if bearing lubrication is required, apply a small amount of a high temperature bearing grease.

Use a 5/16" nut driver to loosen screws for removing front and rear fan guards. Use an air hose or vacuum to remove any air born contaminates which may have settled on motor or bearings. Use mild detergent to clean blade and guards. Avoid allowing the cleanser to come in contact with the motor bearings or windings. Replace guards using 5/16" nut driver. Allow fan to completely dry before next use.

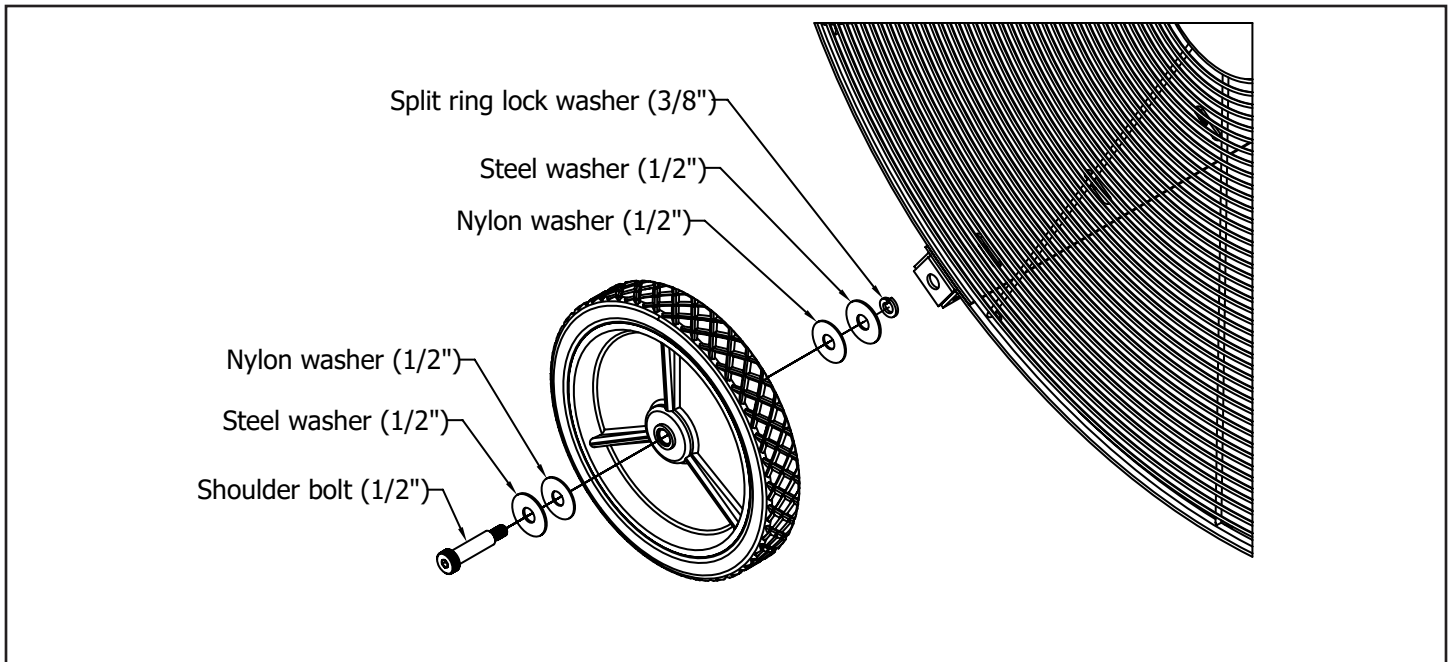
Reference parts list on reverse side of this instruction sheet. Save these important instructions. Your TPI Air Circulator carries a one year warranty.

For additional information on TPI Products or replacement parts, call TPI Customer Service Department at 1-800-251-0382 or write to the address below.

P.O. Box 4973 \* Johnson City, Tennessee 37602-4973 \* 423-477-4131 \* Fax 423-477-0683

P/N: 8226

ECO 1-7665



## INSTALLATION INSTRUCTIONS

This unit is shipped without the wheels mounted. Assemble the wheel, shoulder bolt, and washers as shown. Use the provided hex key to tighten the assembly to approximately 10-15 ft-lbs.