



TPI Corporation
P.O. Box 4973
Johnson City, TN
37602-4973

America's Comfort Conditioning Company

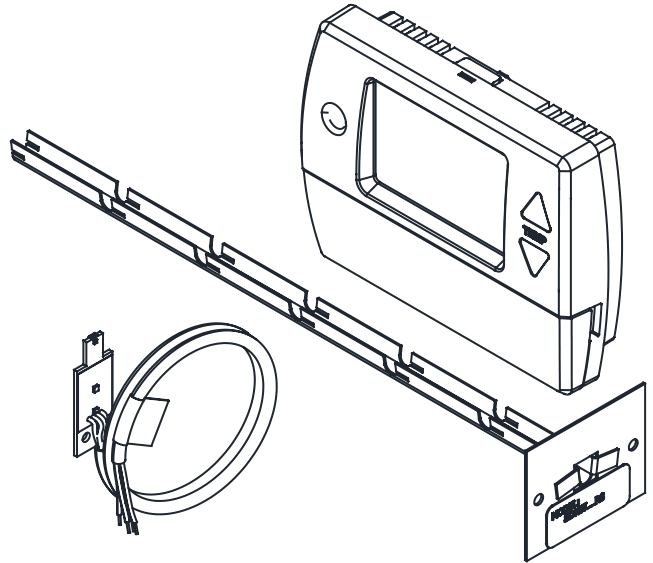
SDHW__RS
Duct Stat
24-Volt
One to Four Stage Control
with Remote Sensor

⚠ WARNING

To prevent injury or death from electrical shock, de-energize power supply to avoid accidentally energizing the electrical circuit.

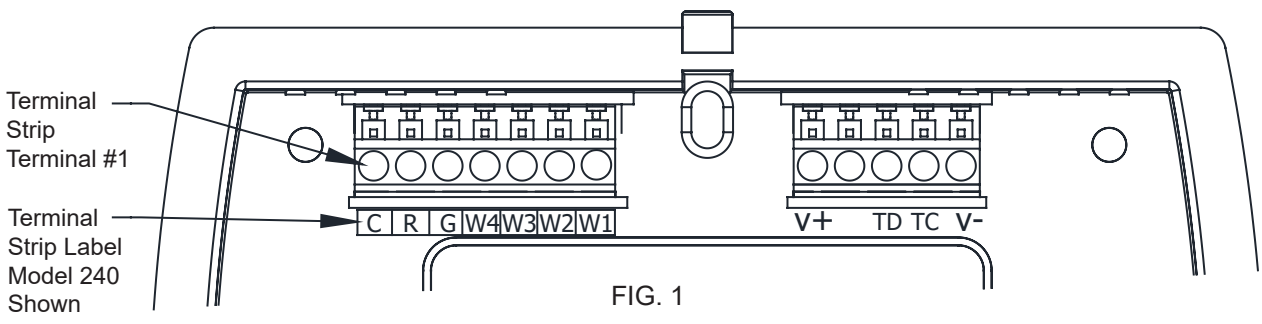
⚠ AVERTISSEMENT

Pour éviter les blessures ou la mort par électrocution, coupez l'alimentation électrique pour éviter de mettre sous tension accidentellement le circuit électrique.



Mounting Thermostat & Wiring

1. Disconnect heater from power supply.
2. Remove cover of thermostat from base.
3. Locate the thermostat in a dry area within the limits of the external sensor wire length.
4. Use electrical wiring practices approved by all applicable codes.
5. Attach the sub-base directly to the duct or preferably on a horizontal outlet box. Leveling is not necessary for function.
6. As indicated in FIG 2, Use Terminal Strip Label from the System Selection Chart included with the thermostat and place under thermostat terminal block as shown in FIG. 1. Always position "C" of Terminal Strip Label directly under the 1st terminal on the left side of terminal strip.
7. Feed wires through the rectangular slot in the back side of thermostat.
8. Connect the wires to the appropriate terminals as specified in FIG. 3. Common wire is not necessary but recommended.
9. Follow SETUP instructions provided with the thermostat for customization.



Thermostat Wiring

SYSTEM SELECTION CHART

MODEL	SYSTEM TYPE
210	Single Stage Electric Heat
220	2 Stages Electric Heat
230	3 Stages Electric Heat
240	4 Stages Electric Heat

THERMOSTAT

C	- Common
R	- Hot
G	- Fan
W4	- Stage 4 Heat
W3	- Stage 3 Heat
W2	- Stage 2 Heat
W1	- Stage 1 Heat

Remote Sensor

V+	- Red
TD	- Black
TC	- Green
V-	- White

Installation Instructions

Continued

Mounting Remote Sensor

1. The external sensor mounting bracket is 12 inches in length and incorporates notches placed 2 inches apart for selectable probe lengths. Only cut or break at notched area of mounting bracket as probe sensor is to be inserted into the slots placed at each notch. See Figure 4
Use caution as hand protection is recommended as metal may have sharp edges. Choose desired length and with one hand, hold bracket just behind notch, Using the other hand, hold bracket just in front of the same notch, then work up and down until the unit breaks at desired point or you may choose to cut at desired location. Bend cut edges away from wiring as to insure cut edges will not pierce wiring jacket.
2. Position sensor into slots of bracket as shown in figure 5. Once into position slightly pinch metal frame to lock into position.
3. Feed sensor wire through hole in mounting bracket and position sensor wire into track of probe. Press wire into position and slightly pinch metal securing wire into position.
4. Choose desired mounting location of probe and cut 7/8" hole into existing duct work.
5. Slide sensor mounting bracket assembly into 7/8" hole and secure with #8 self drilling screws provided. Cover any open area with duct tape.
6. Wire sensor wiring into thermostat as shown in Fig. 3.

CAUTION

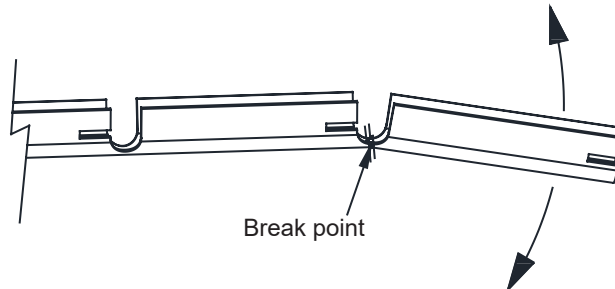


FIG. 4

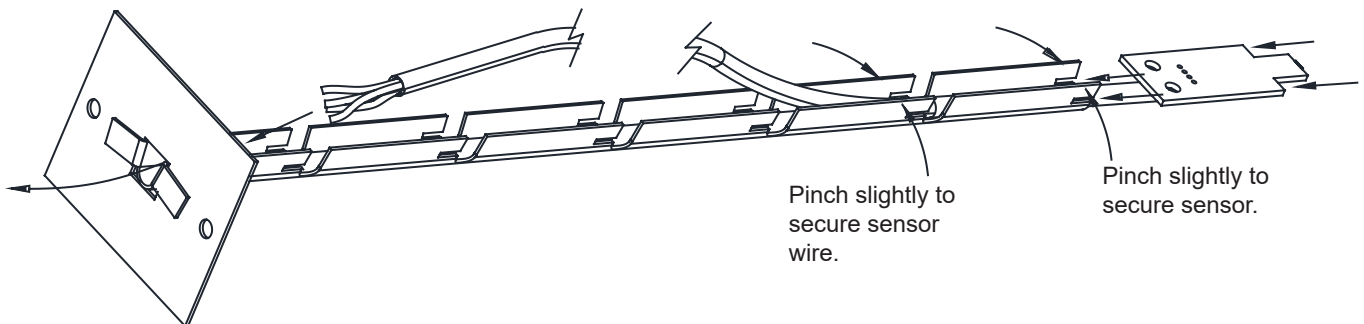


FIG. 5

WARNING

If this product is used to replace a device containing mercury, the purchaser or consumer must ensure that the mercury is properly managed to comply with state or federal regulations. The mercury must not become part of solid waste or waste water. Additional guidance may be obtained from the manufacturer of the product being removed or by calling the Director of Environmental Services.

AVERTISSEMENT

Si ce produit est utilisé pour remplacer un appareil contenant du mercure, l'acheteur ou le consommateur doit s'assurer que le mercure est correctement géré conformément aux réglementations nationales ou fédérales. Le mercure ne doit pas faire partie des déchets solides ou des eaux usées. On peut obtenir des indications supplémentaires du fabricant du produit étant retiré ou en appelant le directeur des services environnementaux.