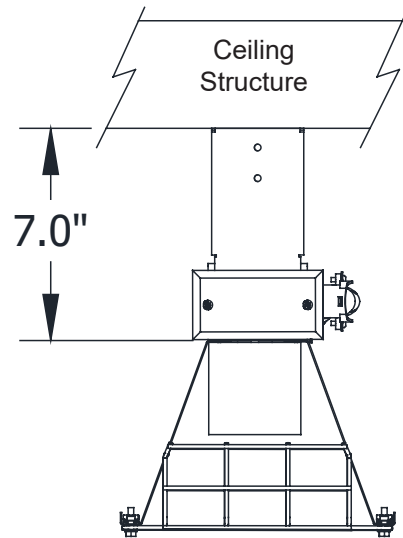
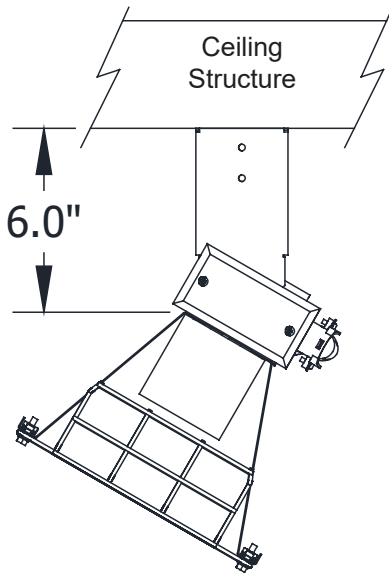


**INSTALLATION INSTRUCTIONS  
FSS-14/31CMK CEILING MOUNT KIT  
FOR FSS-14 AND FSS-31 SERIES HEATERS**

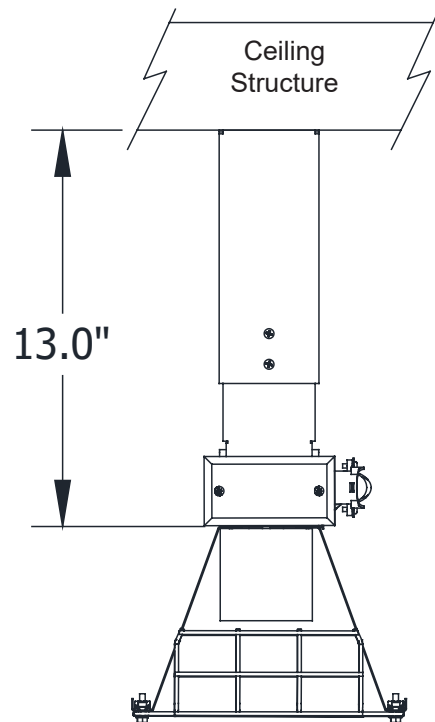
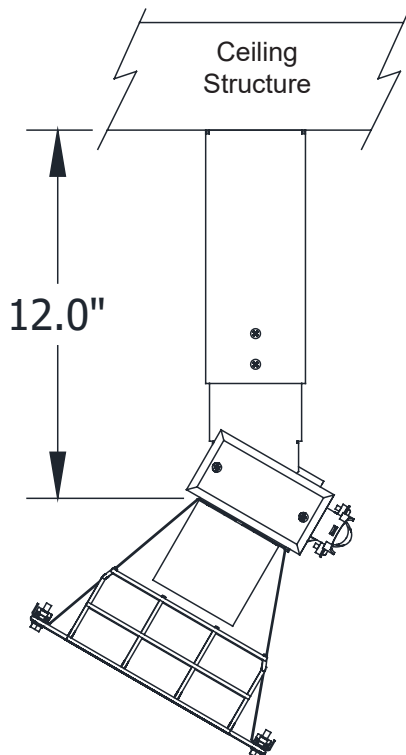
**INSTALLATION  
INSTRUCTIONS**



**WITH 6 INCH MOUNTING BRACKET**



**WITH EXTENDED MOUNTING BRACKET**



## DESCRIPTION

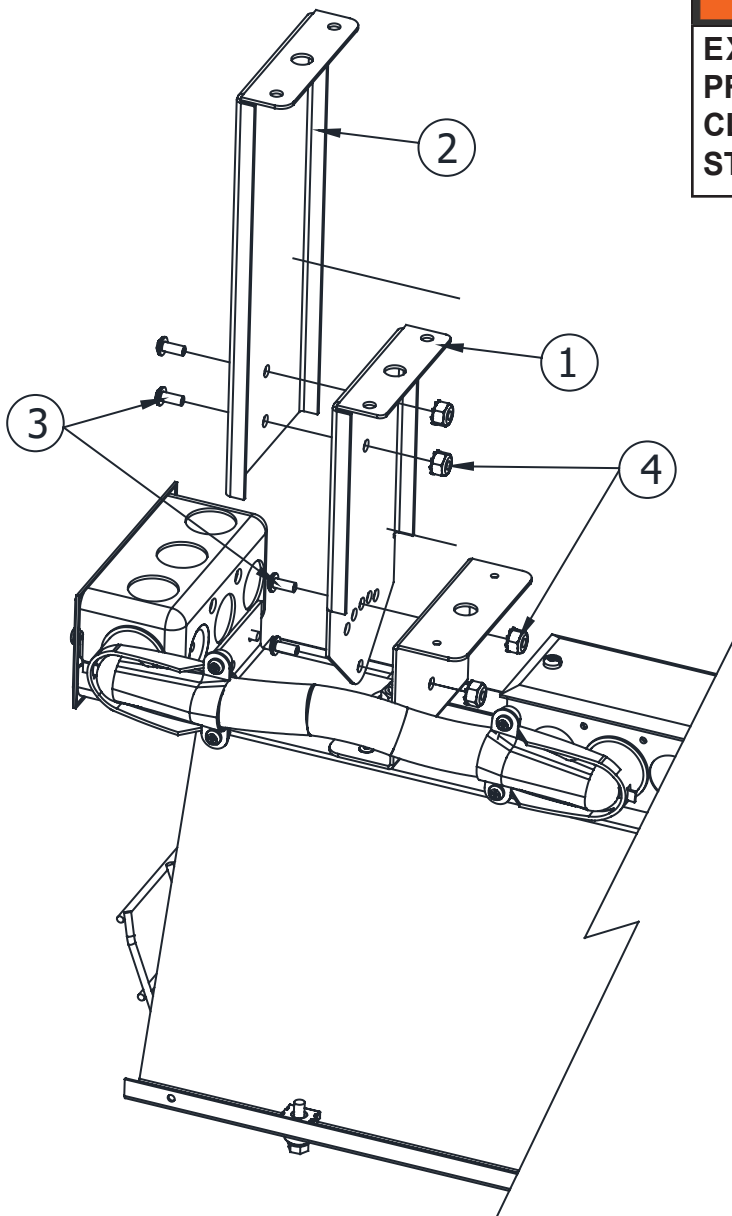
The mounting bracket kit is an accessory that adds versatility to the mounting capability of the FSS series infrared heaters. This mounting bracket kit provides for the minimum 6 inch mounting clearance for ceiling mount and also includes an extended mounting bracket for 12 inches of clearance. The optional mounting bracket can be used or any other sufficient means that provides the minimum mounting clearances as stated in the heater manual.

## ASSEMBLY

All hardware necessary for mounting the optional brackets to the heater is provided in the kit. The bracket provides for angular rotation up to 30° for direction of radiation. Hardware necessary for mounting to structure is provided by installer. Mounting hardware must be suitable for the surface the heater is mounted to. The surface and hardware must be capable of supporting the total weight of the heater and brackets.

**! WARNING**

**EXTREMELY HIGH TEMPERATURES ARE PRESENT, DURING OPERATION. MAINTAIN CLEARANCES FROM COMBUSTIBLES AS STATED IN THE HEATER MANUAL.**



| ITEM | DESCRIPTION                    |
|------|--------------------------------|
| 1    | 6" ADJUSTABLE MOUNTING BRACKET |
| 2    | MOUNTING BRACKET EXTENSION     |
| 3    | 10-32 X 3/8" SCREW             |
| 4    | 10-32 KEPSNUT                  |