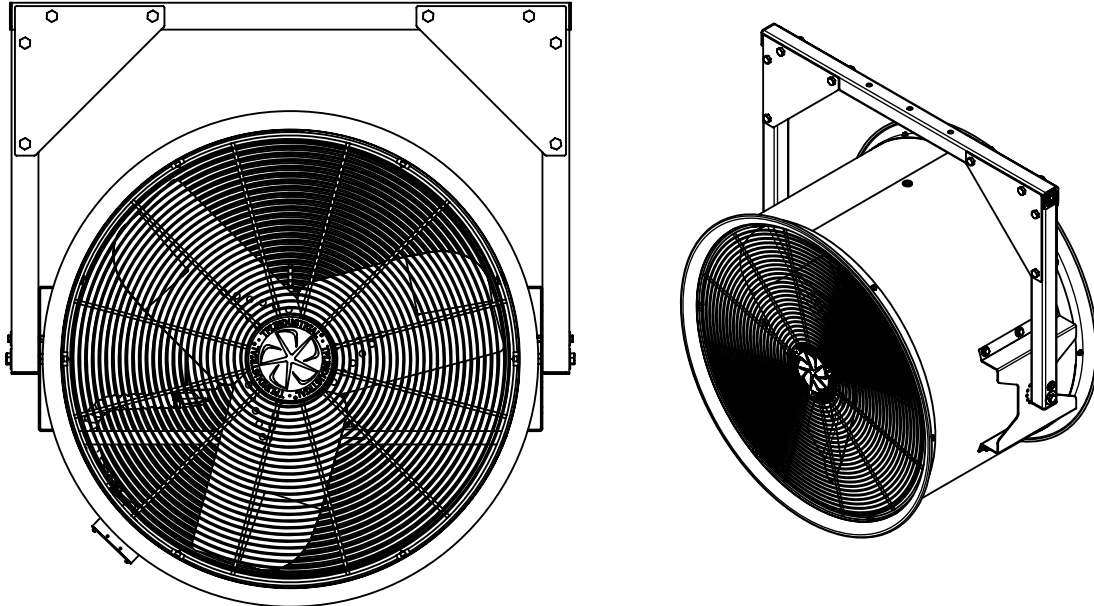




Industrial Air Circulator Instructions

For High Velocity Fans HV34

READ AND SAVE THESE IMPORTANT INSTRUCTIONS



It is important that the following safety precautions be followed when using this product:

- DO NOT place foreign objects through guards into blades.
- DO NOT allow unit to become wet or damp.
- DO NOT use this fan with any solid state speed control device.

“NOT SUITABLE FOR USE WITH SOLID-STATE SPEED CONTROLS”

“AVERTISSEMENT; NE CONVIENT PAS A DES REGULATEURS DE VITESSE A SEMI-CONDUCTEURS”

- **WARNING:** To reduce the risk of fire, electrical shock, or injury to persons, observe the following:
- Use this unit only in the manner intended by the manufacturer. If you have questions, contact the manufacturer.
- Before servicing or cleaning unit, switch power off at service panel and lock service panel to prevent power from being switched on accidentally. When the service disconnecting means cannot be locked, securely fasten a prominent warning device, such as a tag to the service panel.
- Installation work and electrical wiring must be done by qualified person(s) in accordance with all applicable codes and standards, including fire-rated construction.
- When cutting into wall or ceiling, do not damage electrical wiring and other hidden utilities.
- Do not use replacement parts that have not been recommended by the manufacturer (e.g. parts made at home using a 3D printer).

Avertissement: Pour reduire les risques d'incendie ou de choc electrique, ou de blessures, respectez les consignes suivantes:

Utiliser cette unite uniquement de la maniere prevue par le fabricant. Si vous avez des questions, contactez le fabricant. Avant de reparer ou nettoyer l'appareil, couper le courant au panneau de service et verrouiller a prevent sa remise en marche accidentelle. lorsque la moyenne de la deconnexion n'est pas bloque, fixez solidement un avertissement bien en evidence, comme une etiquette sur le panneau de service. Les travaux d'installation et decablage electrique doivent etre effectues par des personnes qualifiees conformement a tous les codes et normes applicables, y compris la construction par incendie. Lorsque vous coupez dans le mur ou le plafond, n'endommagez pas le cablage electrique et d'autres utilitaires caches. N'utilisez pas de pieces de rechange qui n'ont pas été recommandées par le fabricant.

INSTALLATION INSTRUCTIONS

For installation on wood structures, use a 1/2" lag screw of appropriate length for the application.

For installation on steel structures, use a 1/2" bolt of the appropriate length for the application, in combination with a flat washer, a lock washer and a 1/2" nut.

For installation on masonry structures, use a 1/2" lag screw, in combination with a lag shield, of appropriate length for the application.

In all cases, it is recommended that a flat washer be placed on both sides of the fan yoke to assist in smooth rotation.

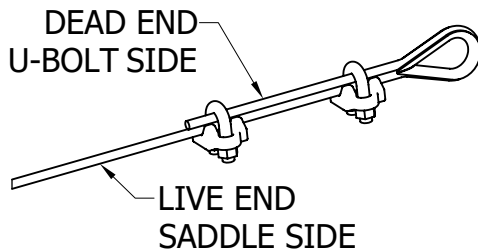
If there are any questions or doubts about how much weight the building can support, consult a local licensed structural engineer.

For three-phase models, check fan blade rotation. Blade should rotate clockwise viewed from the air discharge side. To reverse rotation, reverse any two leads.

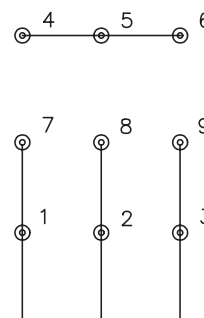
It is possible to wire the same motor for different service voltages. Wiring diagrams are printed on the motor nameplates and are copied below.

The motor is not equipped with a thermal protector, and will require field-provided motor overload protection. This protection must be rated and selected in compliance with the applicable installation code.

This unit is provided with an integral safety cable. Attach safety cable to a secure part of the building structure. Allow some slack in the cable, but no more than 3". If you need to disassemble the safety cable end to fit your application, be sure to reassemble as shown, with the live end of the rope in contact with the saddle side of the wire rope clip. Torque evenly to 7.5 ft-lbs and turn back 3-3/4 in. of wire rope.

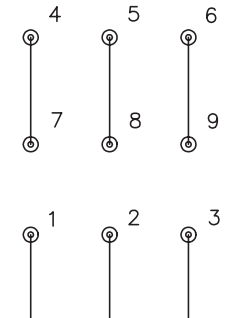


LOW VOLTAGE
(2Y)



LINE

HIGH VOLTAGE
(1Y)



LINE

OPERATING INSTRUCTIONS

This unit is a single speed fan and swivel bracket, which allows you to move the position to a desired air delivery. During normal operation it is not uncommon for the motor to be warm to the touch. The motor requires field-provided motor overload protection. If this trips, investigate the cause before attempting to restart fan.

The fan is rated 15°F-104°F ambient.

CLEANING/MAINTENANCE INSTRUCTIONS

All maintenance should be done by either TPI Corporation or a qualified electrician. The motor bearings require periodic regreasing, approximately every 15,000 hours in perfect conditions. If the motor is operated in severe conditions (over 104°F, dirt, abrasive dust, corrosion, heavy vibration), regrease motor more often depending on actual conditions up to 1500 hours. Use Polyrex EM for temperatures 15°F-120°F. Operation outside normal temperature range is possible with modifications and reduced life, but not recommended or warranted. For higher temperature use Dow Corning DC44. For lower start temperatures use Aeroshell 7. Add approximately 0.30 oz grease each side.

Remove six retaining screws and the six grille clips on the outer ring. Remove front guard from the housing. Use mild detergent to clean the blade and guards. Avoid allowing cleanser to come in contact with the motor windings or bearing. Then replace front guard in reverse order of disassembly. Allow fan to dry completely before next use.

Save these important instructions. Your TPI Air Circulator carries a one year warranty. For additional information on TPI Products or replacement parts, call TPI Customer Service Department at 1-800-251-0382 or write the address below.

PO. Box 4973 • Johnson City, Tennessee 37602-4973 • 423-477-4131 • FAX 423-477-0683