

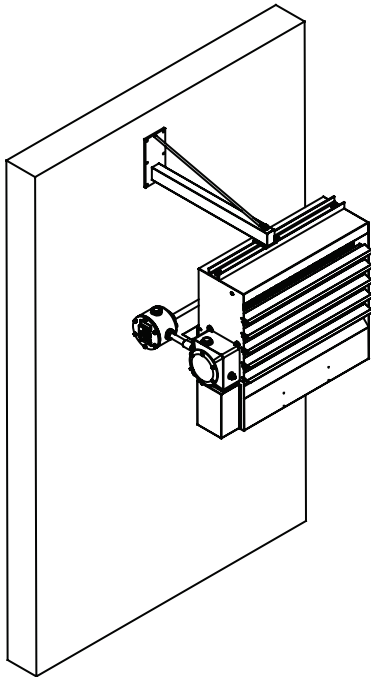
# HLWM WALL MOUNT HLA SERIES HEATERS HLWM24 AND HLWMA28

# INSTALLATION INSTRUCTIONS



TPI Corporation  
P.O. Box 4973  
Johnson City, TN  
37602-4973

*America's Comfort Conditioning Company*



**NOTE:** Check that your heater model number corresponds to the model number shown on the mounting kit carton.

**WARNING: IF INSTALLED ON A STRUCTURE THAT IS TO BE TRANSPORTED, PROVIDED ADDITIONAL TEMPORARY SUPPORT FOR THE HEATER DURING TRANSIT.**

**MOUNTING STRUCTURE MUST BE CAPABLE OF SUPPORTING THE COMBINED WEIGHT OF THE HEATER AND BRACKET.**

REFER TO HEATER INSTALLATION MANUAL FOR MOUNTING SPECIFICATIONS AND CONDITIONS.

## INSTALLATION OF ATTACHEMENT ASSEMBLY TO THE HEATER

The attachment assembly is to be bolted to the heater using (3) UNC 5/8" x 1 1/4 bolts. The heater is to be suspended on the 4 1/2" bolt from the arm as shown.

The HLA24 and HLA28 have (3) 5/8" threaded holes provided for installation. The attachment arm pivot is not centered and should be attached to the heater with the shorter side adjacent to the control box.

