

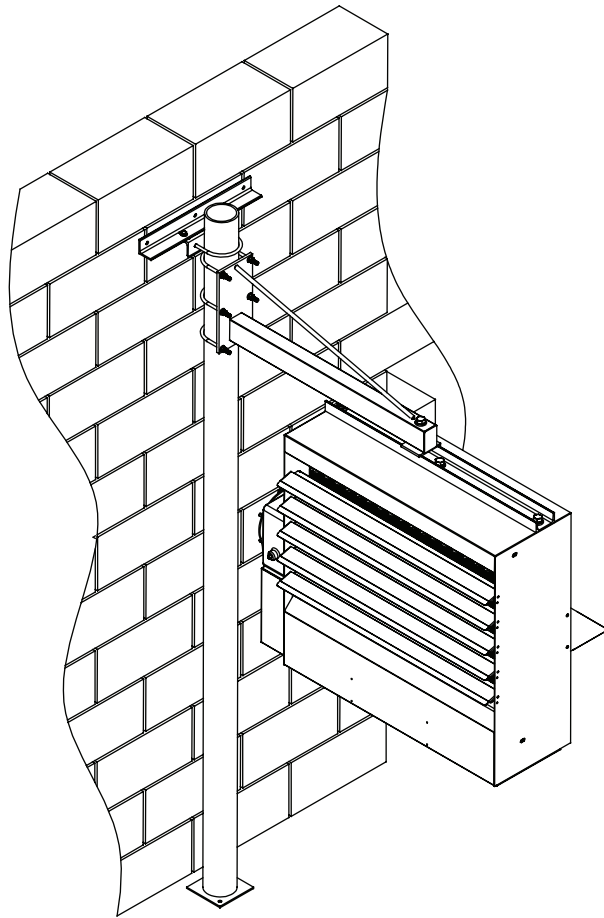
PIPE MOUNTING KIT (HLP24, HLP28) HLA SERIES HEATERS HLA24 AND HLA28

INSTALLATION INSTRUCTIONS



TPI Corporation
P.O. Box 4973
Johnson City, TN
37602-4973

America's Comfort Conditioning Company



NOTE: The installer must provide a suitable length of 3 1/2" nominal pipe size (4" O.D.) Schedule 40 pipe for the column mounting. Alternately, the support arm may be bolted to any suitable vertical surface. See page 2.

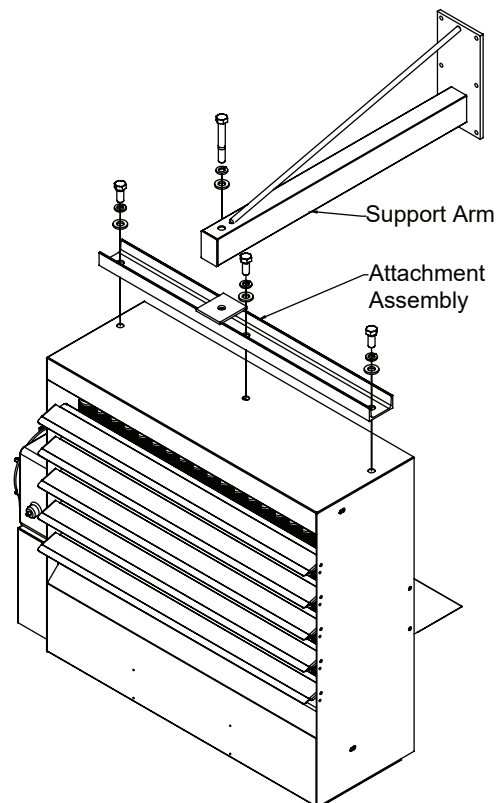
The kit allows full 360° rotation of both the arm assembly and of the heater relative to the arm.

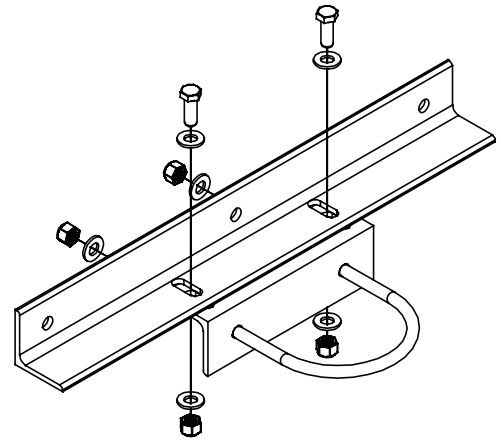
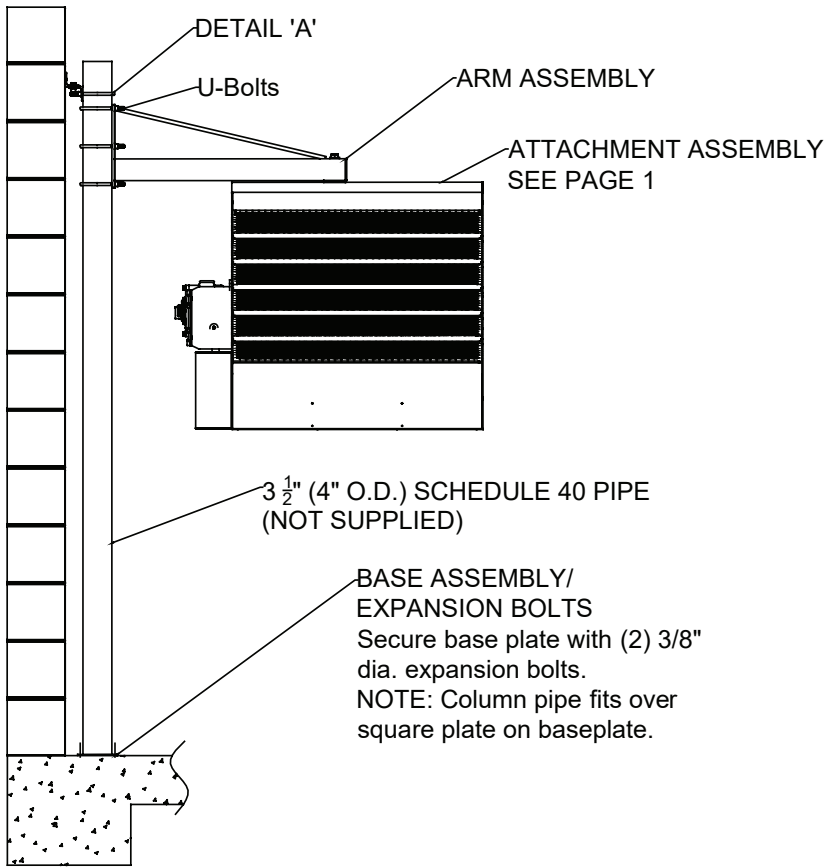
The height from the ground is adjustable. The pipe column may be adjusted from the wall within the range of 5/8".

INSTALLATION OF ATTACHEMENT ASSEMBLY TO THE HEATER

The attachment assembly is to be bolted to the heater using (3) UNC 5/8" x 1 1/4 bolts. The heater is to be suspended on the 4 1/2" bolt from the arm as shown.

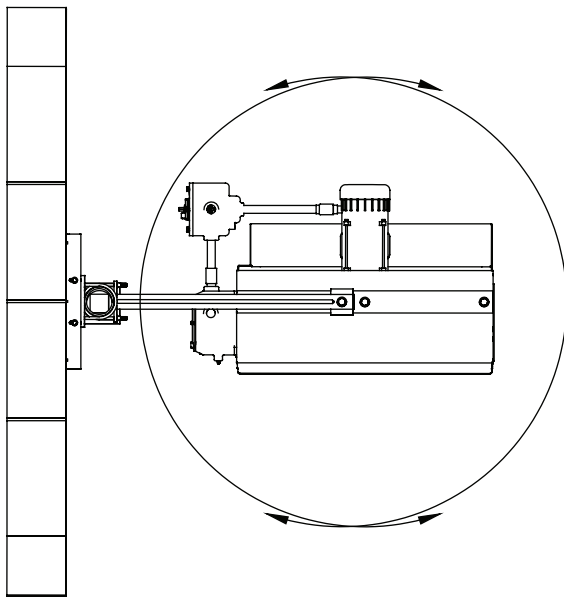
The HLA24 and HLA28 have (3) 5/8" threaded holes provided for installation. The attachment arm pivot is not centered and should be attached to the heater with the shorter side adjacent to the control box. If a long pipe is used, it may be necessary to provide a stabilizer tie/strut near midpoint.



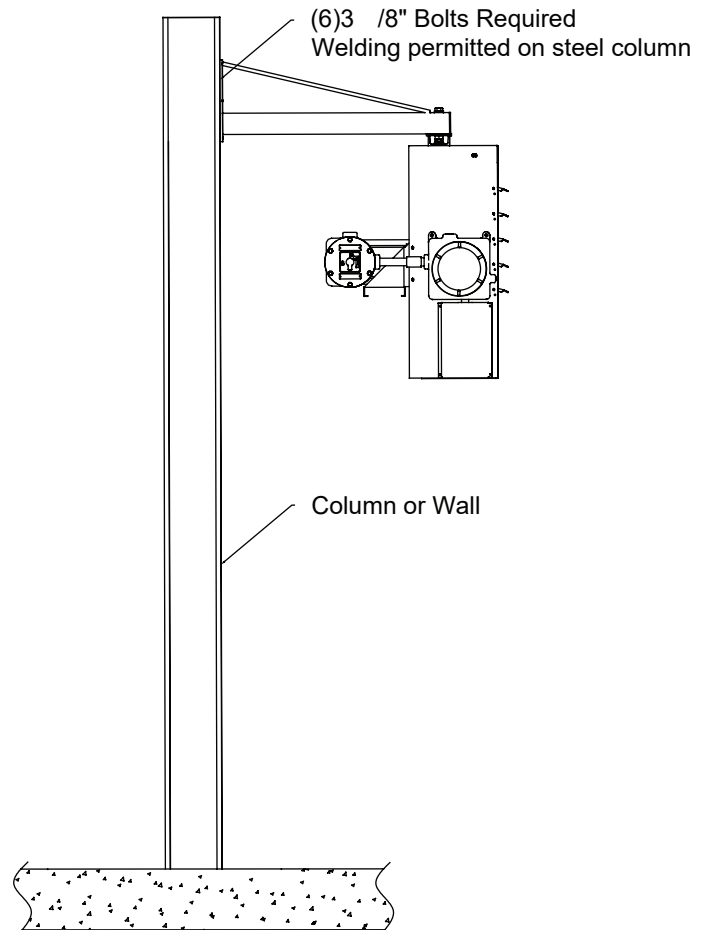


DETAIL 'A'

3 1/2" PIPE MOUNTING



PLAN VIEW



DIRECT MOUNTING