

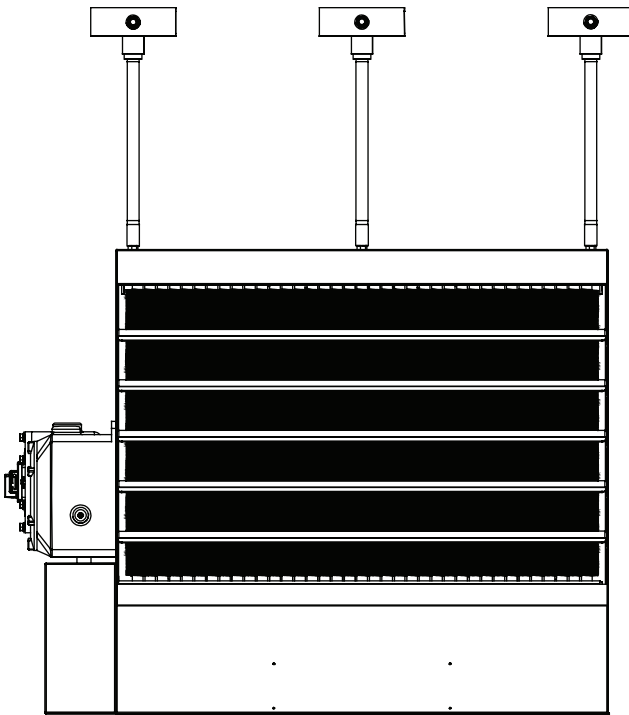
**HANGING MOUNT (HLHM2428)  
HLA SERIES HEATERS  
HLA24 AND HLA28**

**INSTALLATION  
INSTRUCTIONS**



TPI Corporation  
P.O. Box 4973  
Johnson City, TN  
37602-4973

*America's Comfort Conditioning Company*



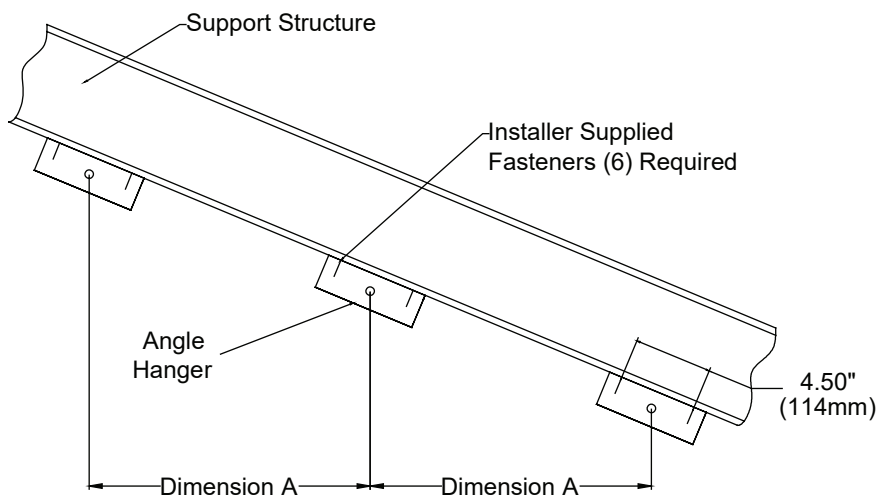
**WARNING: DO NOT INSTALL IN BUILDINGS THAT ARE TO BE TRANSPORTED. INSTALL ONLY WHEN BUILDING HAS REACHED ITS FINAL DESTINATION. REFER TO HEATER INSTALLATION MANUAL FOR MOUNTING SPECIFICATIONS AND CONDITIONS.**

**INSTALLER REQUIRED TO SUPPLY THE FOLLOWING ITEMS:**

- 1) Method to fasten angle hangers to supporting structure. The kit has provisions for (6) 3/8" diameter grade 5 bolts. However, any method providing the same or better strength may be used.
- 2) (3) pieces 1/2" schedule 40 steel pipe or stronger cut to suit installation, and threaded on both ends.

**STEP 1**

Fasten ANGLE HANGERS to a surface or structure that will support the heaters weight.



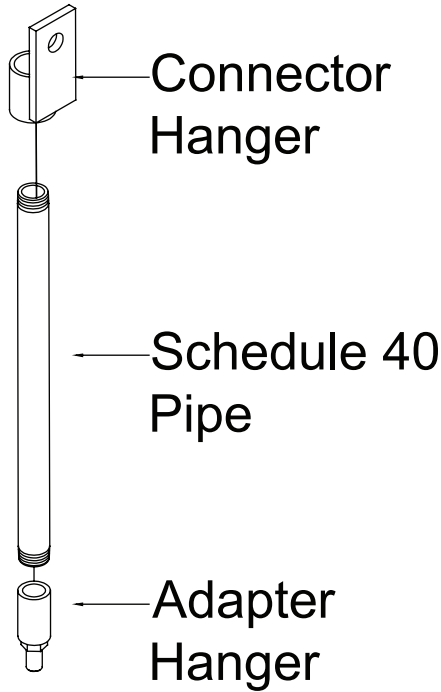
Dimension A= Distance between mounting holes.

HLA24 14.38" (36.53 cm)

HLA28 16.15" (41.02 cm)

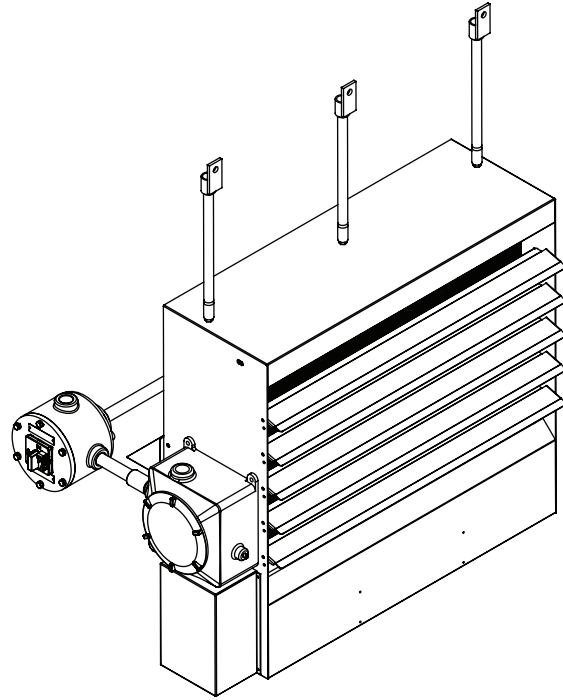
## STEP 2

Screw one CONNECTOR HANGER and one ADAPTOR HANGER onto each of the three steel pipes until tight (minimum of 5 turns each).  
PIPE CUT LENGTH= Distance from Support Structure to TOP of heater LESS 4 7/8" (124mm).



## STEP 3

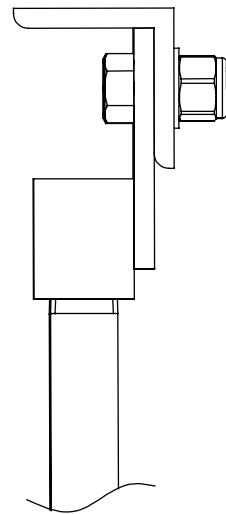
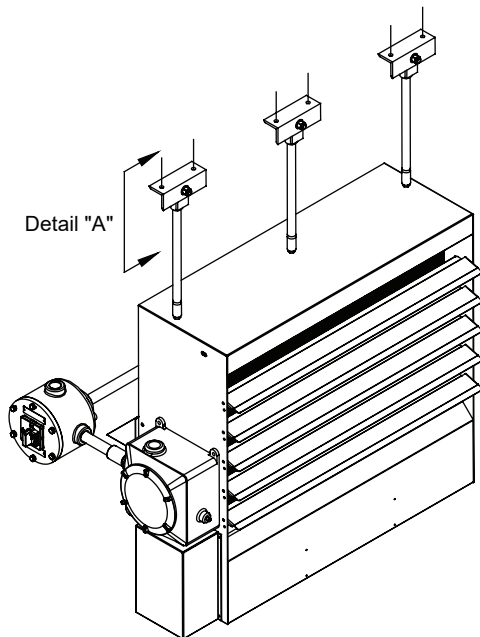
Screw HANGER ASSEMBLIES from Step 2 into 5/8 UNC threaded holes on top of heater cabinet, a minimum of 9 turns.



## STEP 4

Hang heater from ANGLE HANGERS using the (3) 1/2 UNC x 1 1/4" long bolts, washers and locking nuts.

**NOTE:** Connector must be hung on inside of ANGLE HANGER as shown (Detail A).  
Rotate Connector to align with angle. Do not back off more than 3/4 turns.



Detail "A"