



Industrial Air Circulator Instructions

All Industrial and Heavy Duty Pedestal Fans
with hinged grilles and switch

READ AND SAVE THESE IMPORTANT INSTRUCTIONS

It is recommended that you follow the following safety instructions:

ALWAYS unplug unit for cleaning, wipe with damp cloth and mild detergent.

- ALWAYS unplug when not in use.
- ALWAYS unplug when moving fan from one location to the next.
- DO NOT allow unit to become wet or damp.
- DO NOT oil, motor is permanently lubricated.
- DO NOT put foreign objects through fan guards into blade.
- DO NOT operate any fan with a damaged cord or plug. Discard fan or return to an authorized service facility for examination and/or repair.
- DO NOT run cord under carpeting.
- DO NOT cover cord with throw rugs, runners, or similar coverings.
- DO NOT route cord under furniture or appliances. Arrange cord away from traffic area and where it will not be tripped over.

WARNING: To reduce risk of fire and electrical shock, do not use this fan with a solid state speed control device. Plug unit into properly rated service outlet.

“NOT SUITABLE FOR USE WITH SOLID-STATE SPEED CONTROLS”

“AVERTISSEMENT; NE CONVIENT PAS A DES REGULATEURS DE VITESSE A SEMI-CONDUCTEURS”

WARNING: TO REDUCE THE RISK OF FIRE, ELECTRICAL SHOCK OR INJURY TO PERSONS, OBSERVE THE FOLLOWING: Do not use replacement parts that have not been recommended by the manufacturer (e.g. parts made at home using a 3D printer).

AVERTISSEMENT : POUR RÉDUIRE LE RISQUE D'INCENDIE, D'ÉLECTROCUTION OU DE BLESSURE AUX PERSONNES, OBSERVEZ CE QUI SUIT : N'utilisez pas de pièces de rechange qui n'ont pas été recommandées par le fabricant.

NEVER USE AN OSCILLATING MOTOR WITH MORE THAN A 30-DEGREE DOWNWARD TILT.

ASSEMBLY INSTRUCTIONS

1. Before assembling fan head, mount must be fully assembled and installed as indicated in the instructions provided with the mount. Refer to instructions sheet provided with mount for model employing mounts other than pedestal type, then continue with item 8. Pedestal models continue with steps 2 through 10.
2. Remove base and column from cartons
3. Slide the upper column (2) into the lower column (6). The collar (7) should be inserted into the lower column (6) such that the two holes on the collar (7) line up with the two holes of the lower column (6). Insert and tighten the two 6-32 x 1/4" screw (8). Refer to illustrated in Figure A.
4. Mount the column to the base using five 6mm X 12mm length bolts and lock washers. Refer to Figure B.
5. For models with wheel kits for the base refer to the instructions provided with wheel kit. Attach wheels as directed in instructions.
6. Mount the motor to the upper column (2) using the 1/2-13 x 1 screw (9), 1/2" lock washers (10), 1/2" hex nut (11), 1/4-20 x 1" screw (12), 1/4" lock washers (13), 1/4" flat washers (14) and 1/4" hex nuts (15) provided. Refer to Figure E.
7. Route motor power cord (1) from the motor to the outside of lower column using the two nylon tie wraps (3). Refer to Figure B on reverse side.
8. Mount rear and front hinged grilles (with hinge located at 3 o'clock, 6 o'clock or 9 o'clock position underlined position preferred) using the flat washers, lock washers (optional with some assemblies) and hex nut provided. Reference to illustration on page 3.
9. Close front grille to rear grille and close the six guard clips on the flange of the grille. Install provided wire tie and attach to opposite end of the flange from the hinge to lock the flange together.
10. Plug directly into a properly rated service outlet.

OPERATING INSTRUCTIONS

When moving models having wheel kits on the base, carefully tilt fan toward the wheels and roll to the new location. To move the models without wheel kits, it is recommended that the fan be carrier or tilted on the base's edge and rolled to the next location. Do not drag base while moving the fan. The speed of the fan can be controlled by the drop down rocker switch, (high, off, low). If using the extension cord make sure the retaining clips are attached to the opposite end of each neck of the mating plug. This requirement applies to the power cord as well. The angle of the fan may be adjusted up and down by loosening the 1/4" and 1/2" motor mount bolts. Position fan head into desired direction and securely tighten motor mount bolts.

For additional information on TPI Products or replacement parts, call TPI Customer Service Department at 1-423-477-4131 or toll free 1-800-251-0382 or write to address below.

P.O. Box 4973 * Johnson City, Tennessee 37602-4973 * 423-477-4131 * Fax 423-477-0683

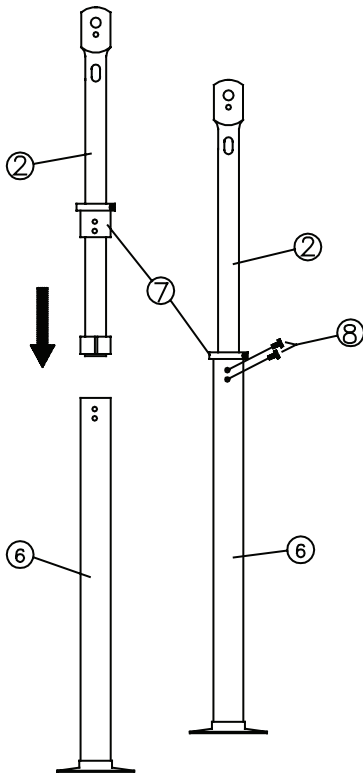


FIGURE A

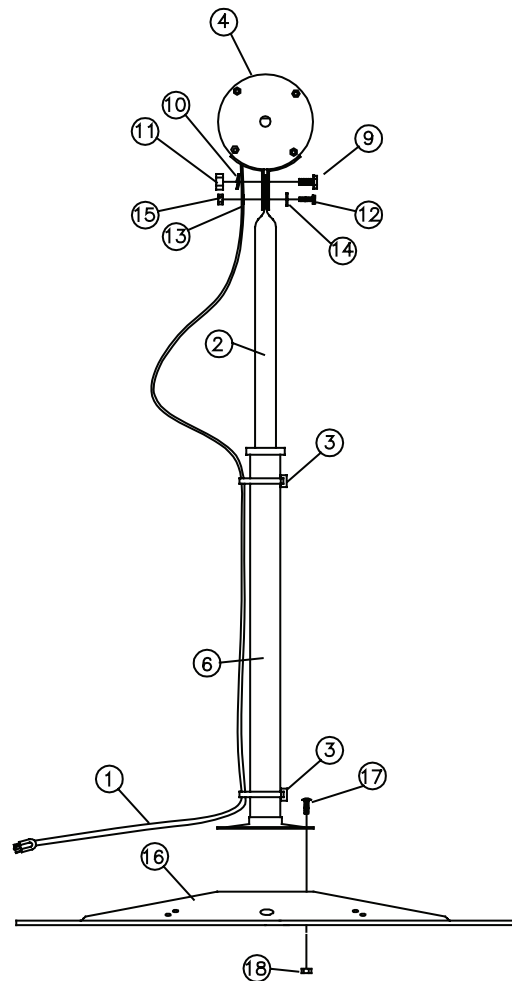


FIGURE B

