



## WASHDOWN FAN INFORMATION SHEET

READ AND SAVE THESE IMPORTANT INSTRUCTIONS

**WARNING:** TO REDUCE THE RISK OF FIRE, ELECTRICAL SHOCK OR INJURY TO PERSONS, OBSERVE THE FOLLOWING:

- A Use this unit only in the manner intended by the manufacturer. If you have any questions, contact the manufacturer.
- B Before servicing or cleaning unit, switch power off at service panel and lock service panel to prevent power from being switched on accidentally. When the service disconnecting means cannot be locked, securely fasten a prominent warning device, such as a tag to the service panel.
- C Installation work and electrical wiring must be done by qualified person(s) in accordance with all applicable codes and standards.
- D Do not put foreign objects through fan guards into fan blade.
- E Do not use replacement parts that have not been recommended by the manufacturer (e.g. parts made at home using a 3D printer).

**WARNING:** ELECTROCUTION HAZARD THIS UNIT MUST BE GROUNDED

**CAUTION:** FOR GENERAL VENTILATING USE ONLY. DO NOT USE WITH HAZARDOUS OR EXPLOSIVE MATERIALS AND VAPORS.

**WARNING:** TO REDUCE THE RISK OF ELECTRICAL SHOCK, DO NOT USE ANY SOLID-STATE SPEED CONTROL DEVICE WITH THIS FAN

**WARNING:** AUTOMATIC RESET PROTECTION - Thermally protected automatic reset will cause the motor to restart without warning after the protector trips.

**ATTENTION:** Motor is provided with 2 drain holes in the shaft end shield, located at the 6:00 & 12:00, 2 drain holes in the opposite shaft end end shield located at the 6:00 & 12:00 and 2 drain holes in the conduit box located at 6:00 & 12:00 facing conduit box. After washing of motor temporarily remove drain plugs at the lowest points to remove any fluid that might be in the motor then reinstall the drain plugs. This motor is not suitable for shaft up or shaft down installation.

See reverse side for general fan information.

P.O. Box 4973 \* Johnson City, Tennessee 37602-4973 \* 423-477-4131 \* Fax 423-477-0683

FORM: 8974  
ECO 1-8027

## FAN GENERAL INFORMATION AND DIMENSIONS

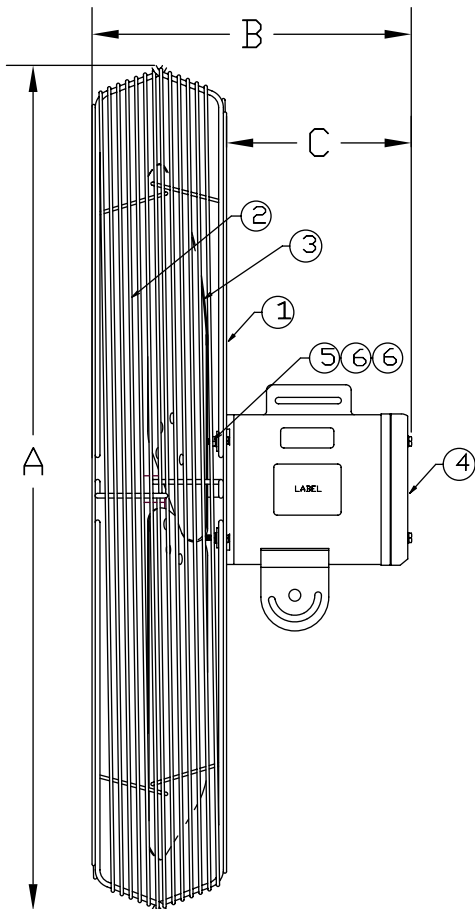
READ AND SAVE THESE IMPORTANT INSTRUCTIONS

### **IMPORTANT NOTE:**

Read all instructions before installing this fan to any mounting surfaces. See mounting instruction sheet for additional information on the mounts. If you have any questions regarding mounting fan contact manufacturer. TPI Customer Service Department 1-800-251-0382, or 1-477-4131 or Fax at 1-423-477-0683.

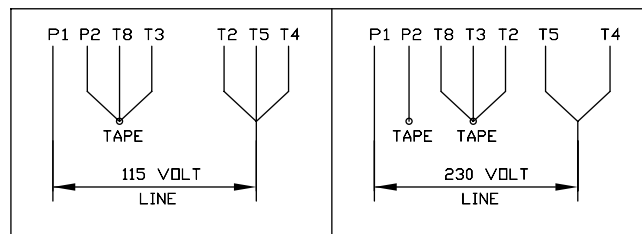
### **Fan Information**

FAN MODEL	BLADE SIZE	F.A. CFM	MOTOR H.P.	OPERATING VOLTAGE	FAN DIMENSIONS		
					A	B	C
IHP 20-H-WD	20"	3200	1/3	115	22.5	12.75	7.50
IHP 24-H-WD	24"	4300	1/3	115	29.5	12.75	7.50
IHP 30-H-WD	30"	5400	1/3	115	32.5	12.25	7.50



ITEM #	QTY.	DESCRIPTION
1	1	REAR FAN GUARD
2	1	FRONT FAN GUARD
3	1	FAN BLADE
4	1	MOTOR 1/3 HP
5	4	10-32 HEX NUT STAINLESS STEEL
6	8	WASHER, FLAT

### **Motor Wiring Information**



INTERCHANGE T5 & T8 FOR COUNTERCLOCKWISE ROTATION