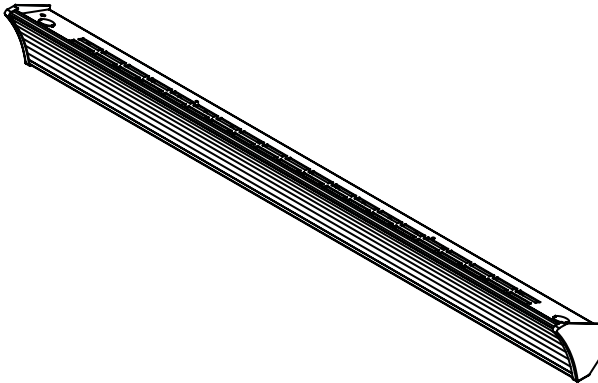


INSTALLATION AND OPERATION INSTRUCTIONS CV SERIES COVE HEATER

INSTALLATION INSTRUCTIONS



TPI Corporation
P.O. Box 4973
Johnson City, TN
37602-4973

America's Comfort Conditioning Company

INSTALLATION INSTRUCTIONS:

The CV series cove heater is designed for wall or ceiling mount. Maintain at least 2-1/2" from the ceiling and 3/4" from back of the heater to the wall. See illustration 2. Do not block the heater in any manner. Maintain at least 6 inches between the heater and draperies.

1. The cove heater is provided with wall mounting brackets. The quantity of brackets is determined by length. CV45 (2), CV60 thru CV90 (3) and CV100 thru CV125(4). See illustration 1.
2. The brackets should be mounted in a wall stud for secure mounting. Hollow wall anchors in drywall are not recommended.
3. The CV series is provided with 1/4 inch knockouts along the back for attachment of wall mounting brackets. Should a stud be out of alignment with knockouts, a 1/4in. hole can be drilled for placement of a bracket.
4. Remove the front cover by removing the screws along the bottom.
5. Determine the location of the mounting brackets and remove the corresponding 1/4 in. knockout. Attach wall mounting bracket with nut and lockwasher. Position the cove heater and secure with the appropriate hardware for the mounting surface. Alternately, the brackets may be mounted to the wall and then mount the heater. More than one person may be required for mounting longer length units. Once the back is secured to the wall, bring power into either end through the provided knockouts. Note: Supply wire must be 90 deg. C wire. All connections should be made by a licensed electrician. All wiring shall be in accordance with the N.E.C. or authority having jurisdiction.
6. Replace the front cover. Note: Do not over tighten the screws. The screws should be tight enough to secure the cover but also allow expansion and contraction of the front.
7. Make wiring connections. See wiring diagrams for connections.
8. Note: The CV series does not have an intergral thermostat. The CV series must be controlled from a remote wall thermostat.

OPERATION

1. Turn on the power supply to the heater.
2. Rotate thermostat knob fully clockwise.
3. Allow room to reach desired temperature, then rotate thermostat knob counter-clockwise until the heater de-energizes. the thermostat will maintain temperature.

IMPORTANT INSTRUCTIONS

When using electrical appliances, basic precautions should always be followed to reduce the risk of fire, electrical shock, and injury to persons, including the following:

1. Read all instructions before using this heater.
2. **CAUTION:** High temperatures. Keep cords and all other combustible material, such as furniture, papers, clothes and curtains away from the heater. For safe and efficient operation, keep an open space around heater of three feet in front and 12 inches at ends and rear.

ATTENTION: Les températures élevées. Gardez les cordons et tout autre matériau combustible, tels que les meubles, papiers, vêtements et rideaux à l'extérieur de l'appareil de chauffage. Pour un fonctionnement sûr et efficace, garder un espace ouvert autour de chauffage de trois pieds à l'avant et 12 pouces aux extrémités et à l'arrière.

3. Extreme caution is necessary when any heater is used by or near children or invalids and whenever the heater is left operating and unattended.
4. Do not operate any heater after it malfunctions, has been dropped or damaged in any manner. Return heater to authorized service facility for examination, electrical or mechanical adjustment, or repair.
5. Do not use outdoors.
6. To disconnect heater, turn controls to off, and turn off power to heater circuit at main disconnect panel (or operate internal disconnect switch if provided).
7. Do not insert or allow foreign objects to enter any ventilation or exhaust opening as this may cause an electric shock or fire, or damage the heater.
8. To prevent a possible fire, do not block air intakes or exhaust in any manner.
9. A heater has hot and arcing or sparking parts inside. **WARNING:** Do not use it in area where gasoline, paint, or flammable liquids are used or stored.
10. Use this heater only as described in this manual. Any other use not recommended by the manufacturer may cause fire, electric shock, or injury to persons.
11. This heater may or may not include an audible or visual alarm to warn that parts of the heater are getting excessively hot. If the alarm sounds (or illuminates), immediately turn the heater off and inspect for any objects on or adjacent to the heater that may have blocked the airflow or otherwise caused high temperatures to have occurred.
DO NOT OPERATE THE HEATER WITH THE ALARM SOUNDING (OR ILLUMINATING).

12. SAVE THESE INSTRUCTIONS

BRACKET PLACEMENT

Illustration 1

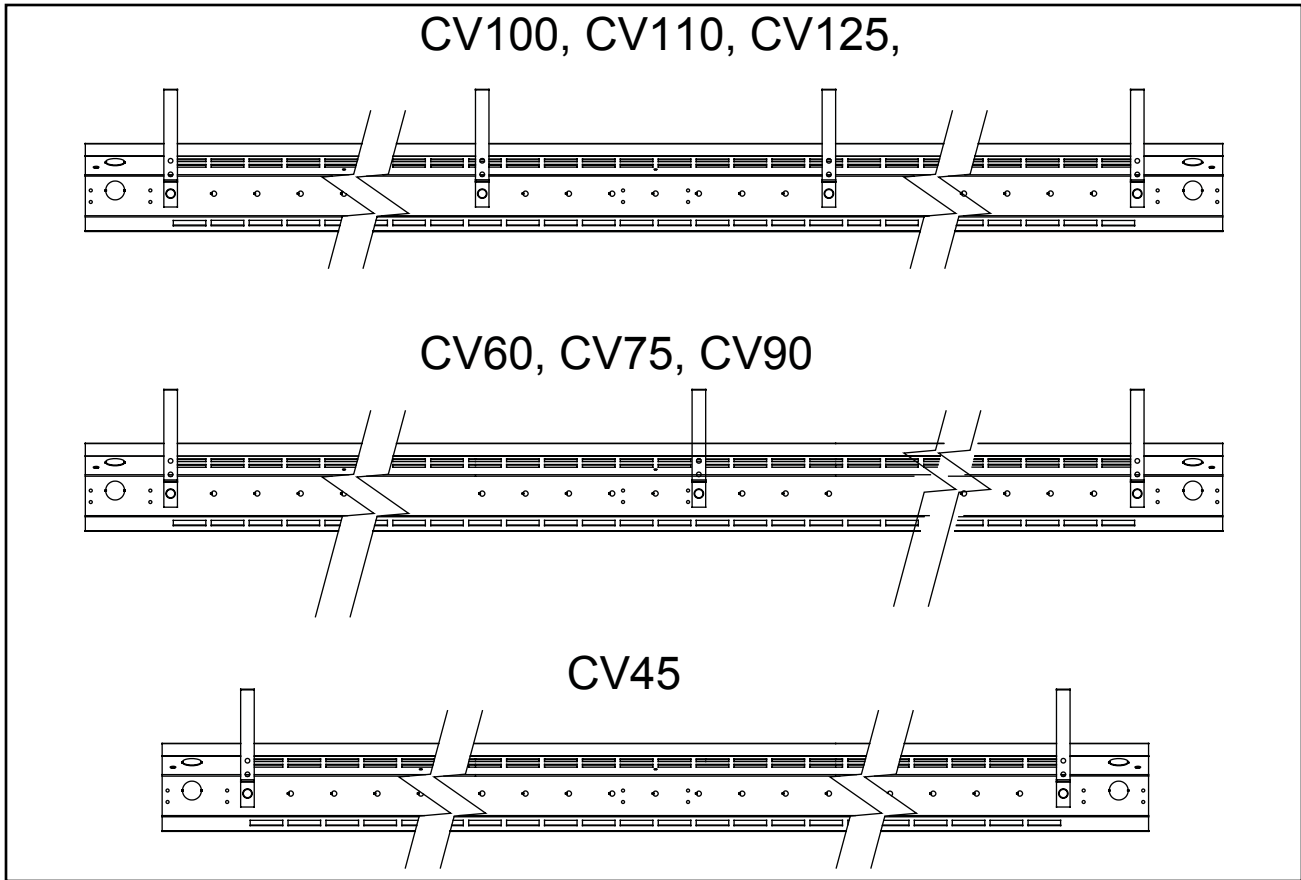
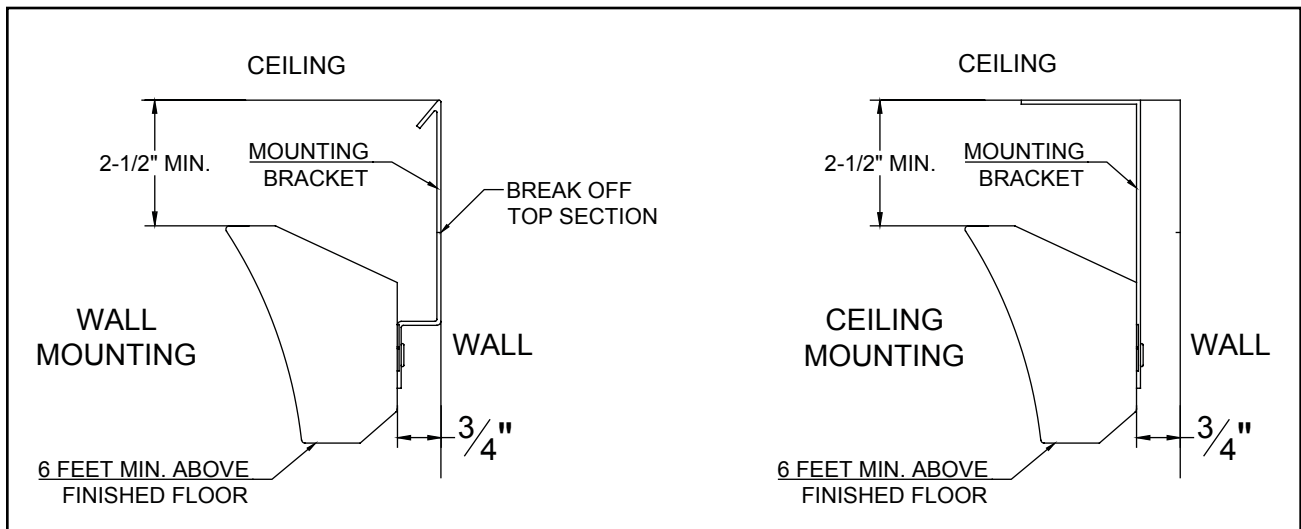


Illustration 2



ACCESSORIES

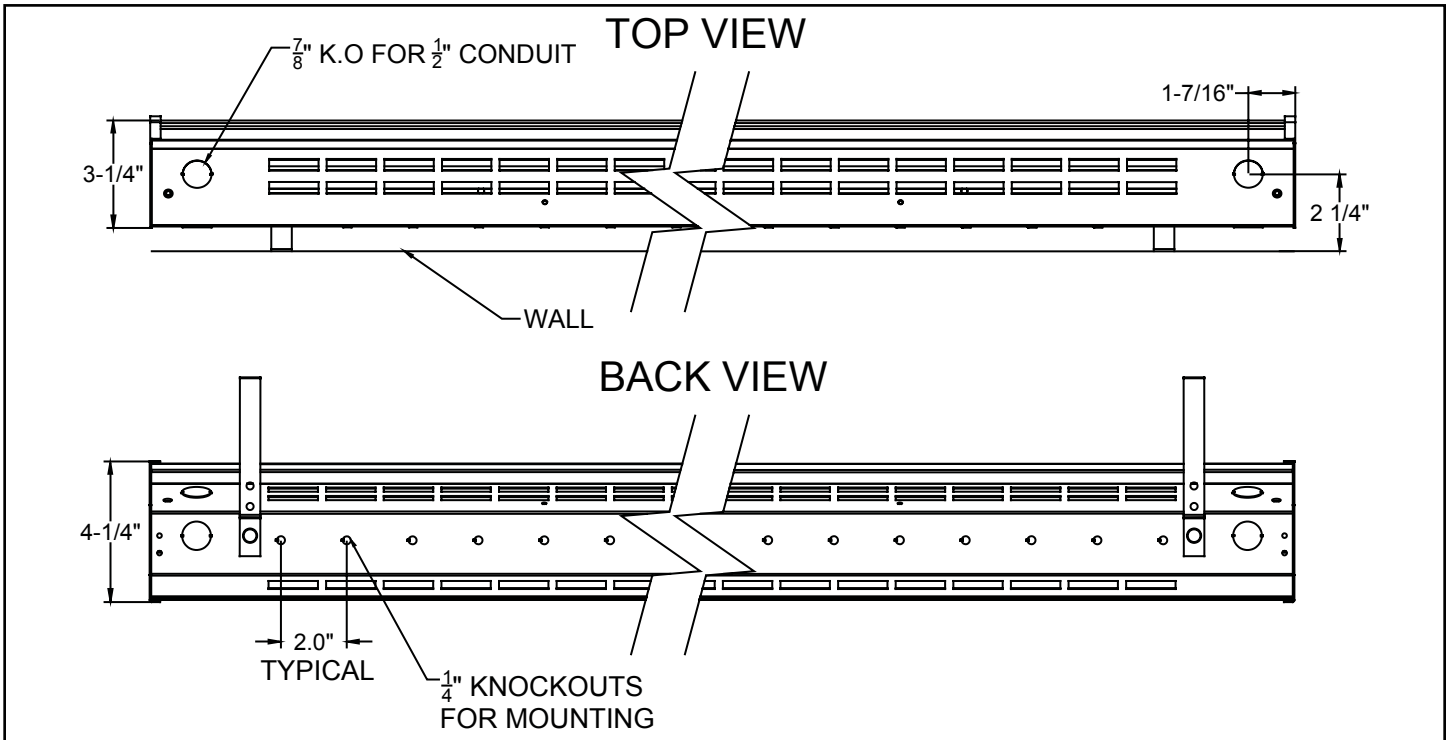
Ceiling Bracket - Catalog NO. CVCBX.

Install ceiling bracket similar to wall mounting brackets as explained in installation.

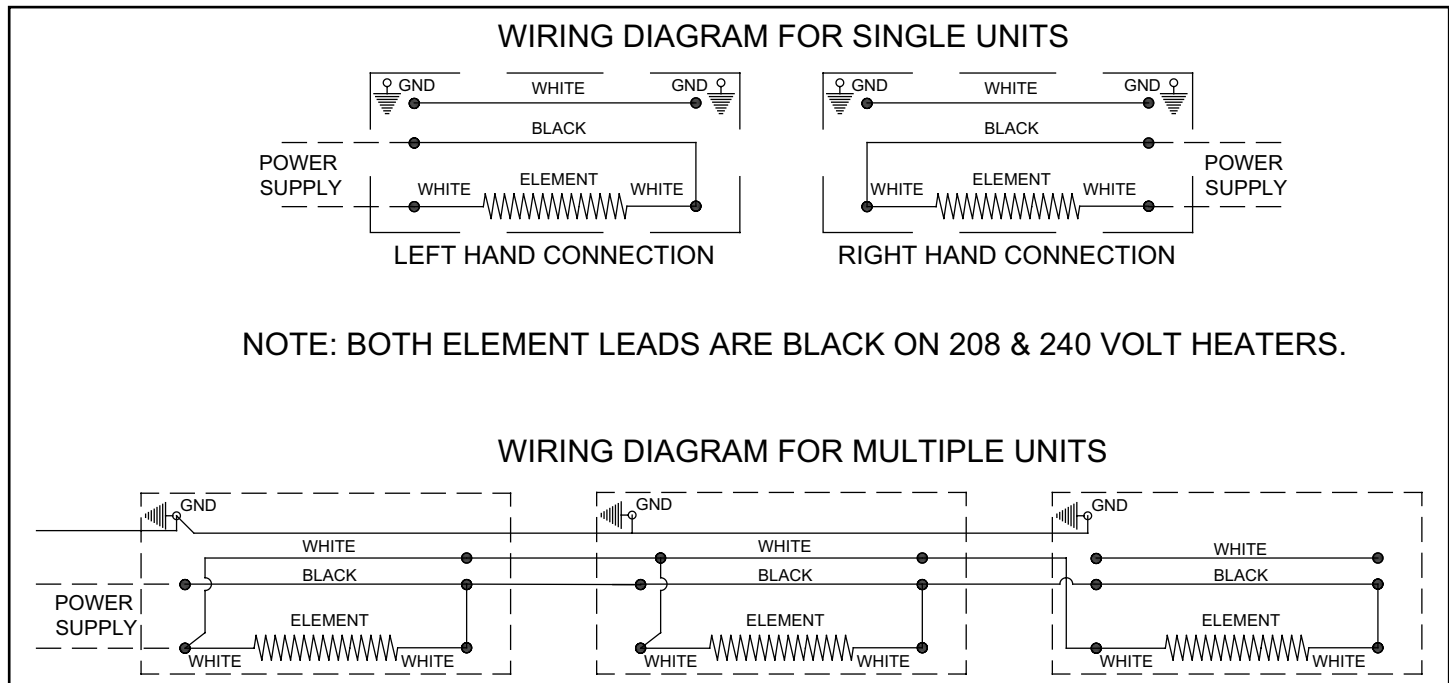
Blank Sections - Catalog No.'s CVB42X, CVB60X and CVB84X.

Install blank sections to fill space between heaters. Install blank sections same as heater. The blank sections may be cut to desired length.

TYPICAL DIMENSIONS



WIRING DIAGRAMS



MAINTENANCE AND CLEANING

The heater should be cleaned at least annually to prevent excess build-up of dirt and lint accumulated under normal operating conditions. In an unusually dirty environment the cleaning should be done more often. Using a vacuum cleaner with soft brush attachment, clean the the front of the heater of any accumulated dirt or lint. The face plate can be cleaned with damp cloth and mild detergent.