

FPQ

3310 SERIES

INSTALLATION INSTRUCTIONS



TPI Corporation
P.O. Box 4973
Johnson City, TN
37602-4973

America's Comfort Conditioning Company

1. LOCATION OF HEATER:

- Heater is mounted on the wall near ceiling or floor, air flow down.
CAUTION: Do not obstruct the front grille of the heater with curtains, furniture, etc., since the proper operation of the heater requires a free flow intake and exhaust of air.
- Minimum mounting height is 10" above finished floor.
- For surface mounting use adapter FPQ/3310EX33.

2. BEFORE MOUNTING:

- Insure that the supply voltage matches voltage rating on the label of the heater.
- Turn off electrical power to heater circuit.

3. MOUNTING INSTRUCTIONS:

- Disassemble heater by removing 7 screws "C" as shown in Figure 1 and 2.
- Flush mounting, see Fig. 1.
Place rough-in box "A" between studs at desired height: secure to studs through holes "M". The flanges on the rough-in box must rest on the surface of the finished wall; if the box is installed prior to the application of the finished wall, allowance must be made for the wall thickness.
- Surface mounting, See Fig. 2.
Insert rough-in box "A" into surface adapter "E".
Secure the heater rough-in box to wall at desired height through holes "X". Be sure that the rough in box is centered in surface adapter. For surface mounting, bring wiring through bottom knockout "K" only.

- Place assembly "B" into rough-in box "A". Secure with six screws "C".

4. WIRING INSTRUCTIONS REF: Diagrams WD1, WD2, WD3, WD4.

- Field Conversion for Lower Wattage: All units are factory wired for higher wattage rating. (See paragraph 9 for conversion to lower wattage rating).
- Bring service leads through knockout "K" on top or bottom of rough-in box for flush or semi-recessed mounting, bottom knockout "K" only for surface mounting. When wiring from the bottom, install wire through cover "G" by removing screw "H".
- Attach service leads to two black leads on 208-240 volt models and to black and white leads on 120-277 volt models, attach ground lead to green wire with approved connectors. Comply with all national and local codes.

- Attach wiring compartment cover "D" to assembly with screw "C".

5. FINAL STEPS:

- Clean all construction dirt and debris from inside heater.
- Attach front grille "F" with four screws "L". A parts bag containing the cover screws and the thermostat knob is located inside of heater.
- Attach thermostat knob "T".

6. OPERATING INSTRUCTIONS:

- Turn on power at the circuit breaker panel.
- If there are two controls on the front grille of the heater; the one on your left "T" is the thermostat control and should be set to the position to give the desired comfort heat in the room. The switch on your right is the mode selection switch. Two modes of heating operation are available: CONSTANT: Fan runs continuously while thermostat cycles heating elements on and off as required by setting; and AUTO: Fan and heating elements cycle on and off simultaneously on thermostat control. The fan can be operated separately to circulate room temperature air by turning thermostat to its lowest setting and placing fan selector switch in the "CONSTANT" position.
- After the desired temperature is reached, turn thermostat stem counter clockwise until a click is heard from the thermostat.
- Models with double pole thermostats: Turn thermostat adjustment knob fully counter-clockwise to the "OFF" position. This will d-energize the heating element and fan.

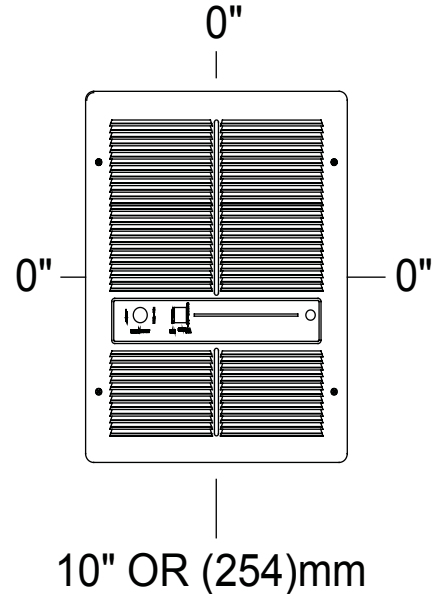


FIG. 1 FLUSH MOUNT

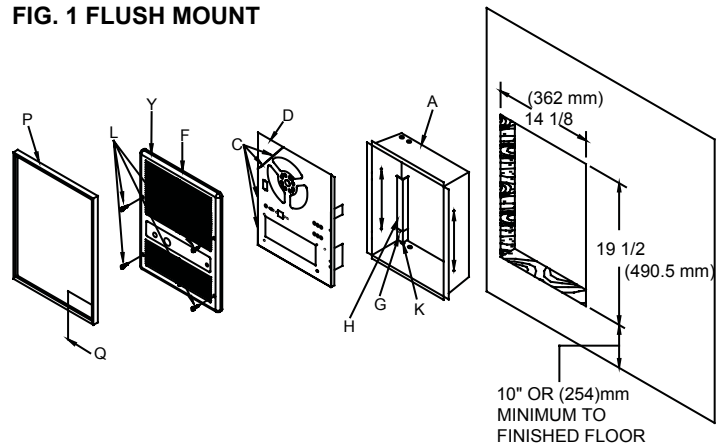
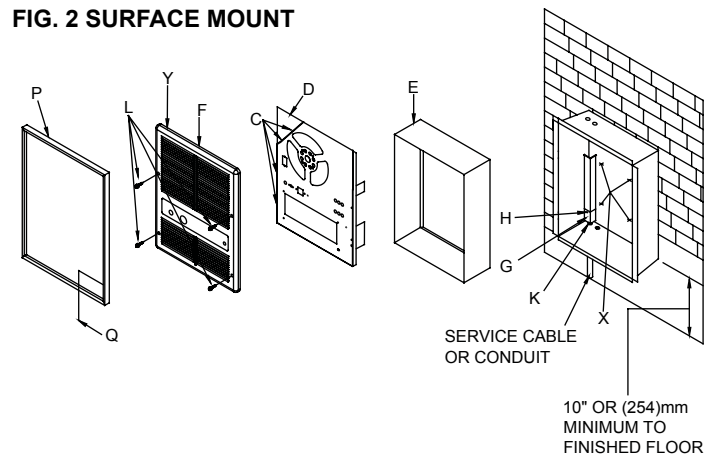


FIG. 2 SURFACE MOUNT



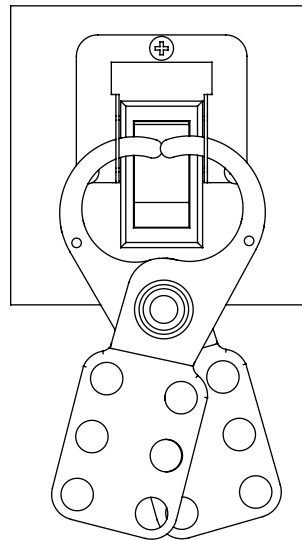
IMPORTANT: OWNER SHOULD RETAIN THESE INSTRUCTIONS FOR FUTURE REFERENCE

IMPORTANT INSTRUCTIONS

1. When using electrical appliances, basic precautions should always be followed to reduce the risk of fire, electrical shock, and injury to persons, including the following:
 2. Read all instructions before using this heater.
 3. **CAUTION:** High temperatures. Keep cords and all other combustible material, such as furniture, papers, clothes and curtains away from the heater. For safe and efficient operation, keep an open space around heater of three feet in front and 12 inches at ends and rear.
 4. Extreme caution is necessary when any heater is used by or near children or invalids and whenever the heater is left operating and unattended.
 5. Do not operate any heater after it malfunctions, has been dropped or damaged in any manner. Return heater to authorized service facility for examination, electrical or mechanical adjustment, or repair.
 6. Do not use outdoors.
 7. To disconnect heater, turn controls to off, and turn off power to heater circuit at main disconnect panel (or operate internal disconnect switch if provided).
 8. Do not insert or allow foreign objects to enter any ventilation or exhaust opening as this may cause an electric chock or fire, or damage the heater.
 9. To prevent a possible fire, do not block air intakes or exhaust in any manner.
 10. A heater has hot and arcing or sparking parts inside. **WARNING:** Do not use it in area where gasoline, paint, or flammable liquids are used or stored.
 11. Use this heater only as described in this manual. Any other use not recommended by the manufacturer may cause fire, electric shock, or injury to persons.
 12. This heater may include an audible or visual alarm to warn that parts of the heater are getting excessively, hot. If the alarm sounds (or illuminates), immediately turn the heater off and inspect for any objects on or adjacent to the heater that may have blocked the airflow or otherwise caused high temperatures to have occurred. **DO NOT OPERATE THE HEATER WITH THE ALARM SOUNDING (OR ILLUMINATING).**
13. **SAVE THESE INSTRUCTIONS**

SWITCH LOCKOUT

For switch lockout hasp or padlock thru bracket as shown. Note: Front grille must remain off during lockout.



3310 SERIES

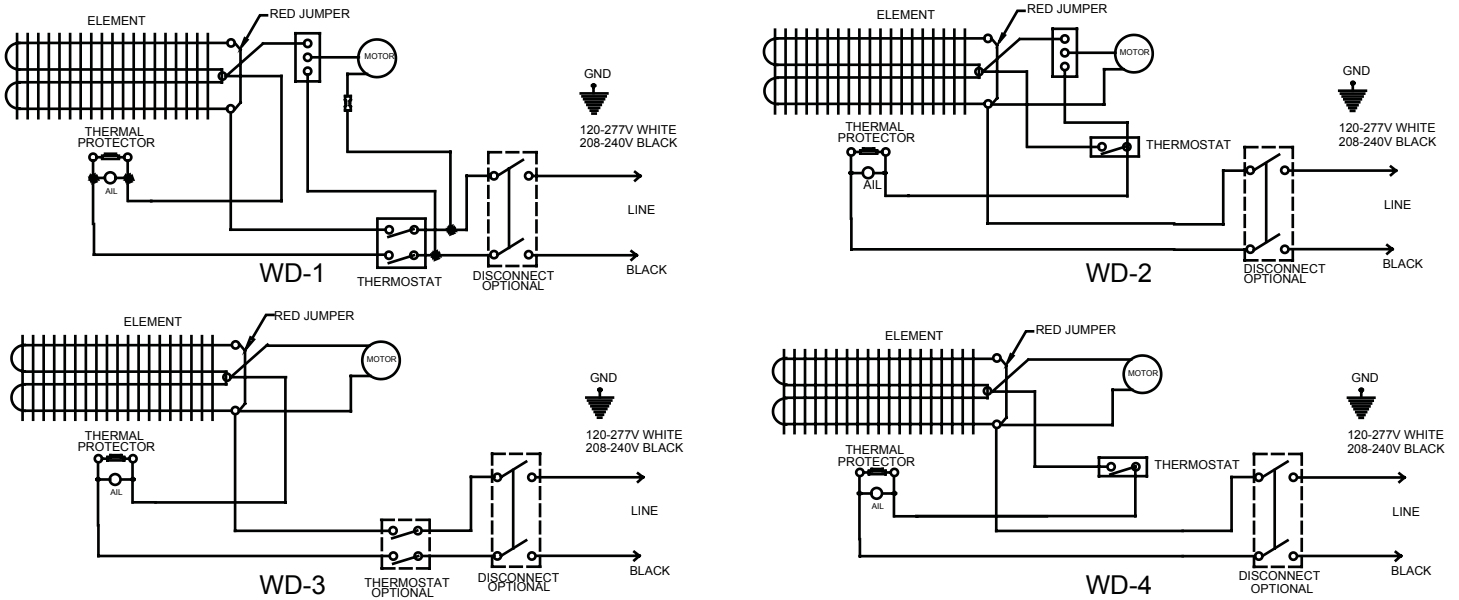
TROUBLE SHOOTING		
Symptom	Possible Fault(s)	Remedy
Heater Does Not Operate	1. Electrical Circuit Open	1. A. Close electric circuit. B. Verify correct supply Voltage C. Adjust thermostat to higher setting.
	2. Defective Thermostat	2. Check continuity with an ohm meter. Replace defective part if necessary.
	3. Thermal Cut Out Open (Alarm Light On)	3. A. Remove any obstruction from front of heater. B. Verify correct supply voltage.
Heater On But Fan Does Not Operate	1. Fan Motor Failure	1. A. Verify correct supply voltage. B. Check motor wiring connections. C. Replace defective motor if necessary.

FIGURE 3

MODEL NO.	VOLTAGE	WATTAGE	AMPERAGE
E3313RP	120	1500	12.5
	120	750	6.25
HF3315RP	240/208	3000/2250	12.5/10.8
	240/208	1500/1125	6.25/5.4
HF3316RP	240/208	4000/3000	16.7/14.4
	240/208	2000/1500	8.3/7.2

9. Field Conversion For Lower Wattage:

To convert heater to a lower wattage rating. Remove (Red Jumper) from heating element (See WD1, WD2, WD3 and WD4). The wattage will be reduced to half of the nameplate wattage. (See Figure 3 for model numbers rated dual wattage)



- WD-1 3310 with Summer Fan Switch, Double Pole T-Stat and (Optional Disconnect Switch)
- WD-2 3310 with Summer Fan Switch, Single Pole T-Stat and (Optional Disconnect Switch)
- WD-3 3310 with (Optional Double Pole T-Stat and Disconnect Switch)
- WD-4 3310 with Single Pole T-Stat and (Optional Disconnect Switch)

AIL Alarm Indicator Lights

IMPORTANT: OWNER SHOULD RETAIN THESE INSTRUCTIONS FOR FUTURE REFERENCE

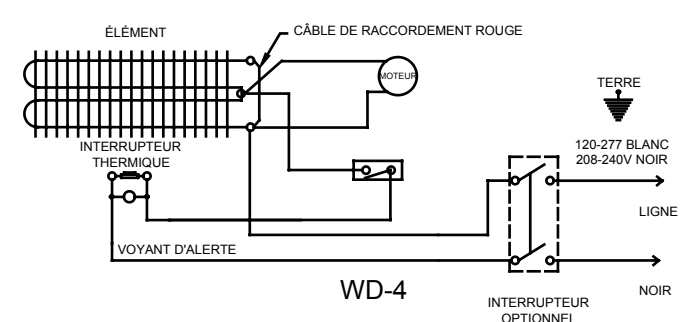
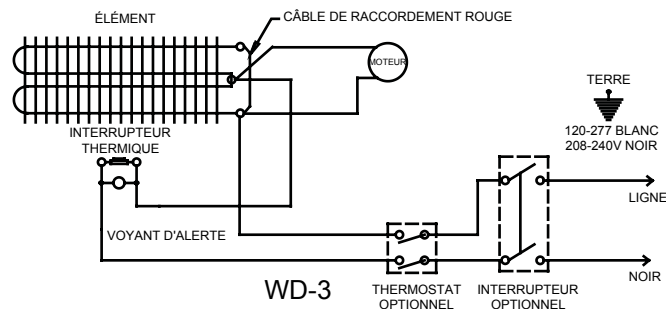
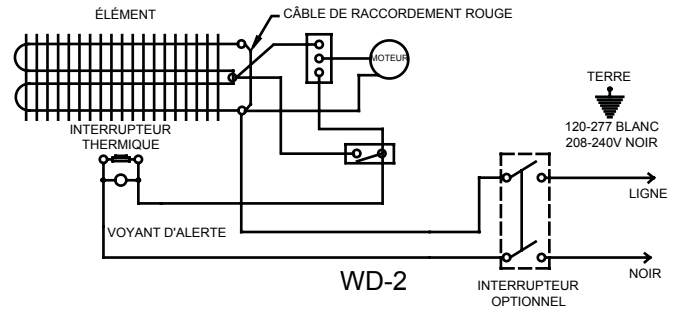
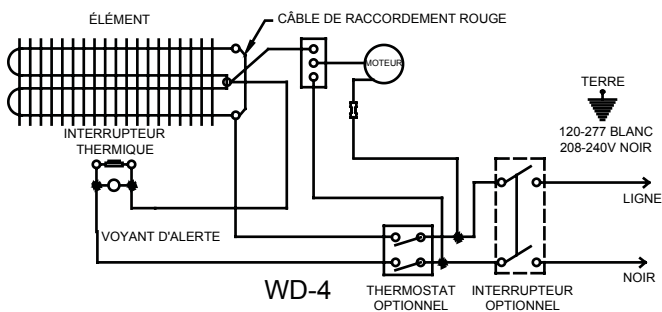
SÉRIE 3310

DÉPANNAGE		
Symptôme	Problème possible	Solution
L'unité de chauffage ne fonctionne pas	1. Circuit électrique ouvert	1. A. Fermer le circuit électrique. B. Vérifiez que la tension d'alimentation est exacte. C. Réglez le thermostat à une valeur plus élevée.
	2. Thermostat défectueux	2. Vérifiez la continuité avec un ohmmètre. Remplacez la pièce défectueuse si nécessaire.
	3. Coupe-circuit thermique ouvert (Voyant d'alerte allumé)	3. A. Enlevez les obstructions devant l'unité de chauffage B. Vérifiez que la tension d'alimentation est exacte.
L'élément chauffant fonctionne, ventilateur d'alimentation est exacte.	1. Moteur du ventilateur défectueux	1. A. Vérifiez que la tension mais pas le. B. Vérifiez les connexions du moteur. C. Remplacez le moteur si nécessaire.

9. Conversion à une puissance inférieure : pour convertir l'unité de chauffage à une puissance nominale inférieure. Retirer le câble de raccordement rouge de l'élément chauffant (voir WD1, WD2, WD3 et WD4). La puissance sera réduite à la moitié de la valeur indiquée sur la plaque signalétique (la figure 3 indique les numéros de modèle et les puissances nominales).

FIGURE 3

N° DE MODÈLE	TENSION	PUISSANCE	AMPÉRAGE
E3313RP	120	1500	12.5
	120	750	6.25
HF3316RP	240/208	3000/2250	12.5/10.8
	240/208	1500/1125	6.25/5.4
HF3316RP	240/208	4000/3000	16.7/14.4
	240/208	2000/1500	8.3/7.2



- WD-1 3310 avec commutateur pour ventilateur d'été, thermostat bipolaire et (interrupteur optionnel)
- WD-2 3310 avec commutateur pour ventilateur d'été, thermostat unipolaire et (interrupteur optionnel)
- WD-3 3310 avec thermostat bipolaire et interrupteur optionnels
- WD-4 3310 avec thermostat unipolaire et (interrupteur optionnel)

AIL Voyants d'alerte

IMPORTANT : CONSERVEZ CES INSTRUCTIONS COMME RÉFÉRENCE FUTURE