



Industrial Air Circulator Instructions

For All High Stand Floor Fan Models

READ AND SAVE THESE IMPORTANT INSTRUCTIONS

It is important that the following safety precautions be followed when using this product:

- ALWAYS unplug unit for cleaning or maintenance.
- ALWAYS unplug unit when not in use.
- ALWAYS unplug when moving unit from one location to the next.
- DO NOT use an extension cord. Plug fan into a properly rated electrical outlet.
- DO NOT place foreign objects through guards into blades.
- DO NOT allow unit to become wet or damp.
- DO NOT use this fan with any solid state speed control device.
- DO NOT operate any fan with a damaged cord or plug. Discard fan or return to an authorized service facility for examination and/or repair.
- DO NOT run cord under carpeting.
- DO NOT cover cord with throw rugs, runners, or similar coverings.
- DO NOT route cord under furniture or appliances. Arrange cord away from traffic area and where it will not be tripped over.

“NOT SUITABLE FOR USE WITH SOLID-STATE SPEED CONTROLS”

“AVERTISSEMENT; NE CONVIENT PAS A DES REGULATEURS DE VITESSE A SEMI-CONDUTEURS”

WARNING: To Avoid risk of fire or electrical shock, DO NOT use this fan with any solid state speed control device.

WARNING: TO REDUCE THE RISK OF FIRE, ELECTRICAL SHOCK OR INJURY TO PERSONS, OBSERVE THE FOLLOWING: Do not use replacement parts that have not been recommended by the manufacturer (e.g. parts made at home using a 3D printer).

AVERTISSEMENT : POUR RÉDUIRE LE RISQUE D'INCENDIE, D'ÉLECTROCUTION OU DE BLESSURE AUX PERSONNES, OBSERVEZ CE QUI SUIT : N'utilisez pas de pièces de rechange qui n'ont pas été recommandées par le fabricant.

ASSEMBLY INSTRUCTIONS

Remove unit from carton. Locate 1/4-20 x 3 1/2” screws at end of support arm, opposite end with fan head. Remove screws closest to the end of the support arm, by loosening and removing nuts and washers. Fold both tubular feet downward (with and without wheels) until holes on tubular feet and support arm line up. Place screw through holes and place washers and nuts back onto screws. Secure fasteners. Fan should now be ready for operation. Reference assembly drawing and parts list on the reverse side of this instruction sheet.

OPERATING INSTRUCTIONS

This unit is equipped with a three (3) speed selector switch, which allows you to select a desired amount of air delivery. During a normal operation it is not uncommon for the motor to be warm to the touch. The motor is equipped with a thermo-protector and will automatically d-energize the fan if it were to over heat for any reason. If this should happen immediately disconnect unit from power outlet.

CLEANING / MAINTENANCE INSTRUCTIONS

All maintenance should be done by either TPI Corporation or a qualified electrician. The motor bearings are lubricated at the factory and should not require any additional lubrication. However, if bearing lubrication is required, apply a small amount of synthetic oil to the motor bearing. Remove two retaining screws and open the six guard clips on the flange. Lift front guard up and off to separate the two halves. Use mild detergent to clean the blade and guards. Avoid allowing cleanser to come in contact with the motor windings or bearings. Then replace front guard in reverse order of disassembly. Allow fan to completely dry before next use.

Reference assembly drawing and parts list on the reverse side of this instruction sheet. Save these important instructions. Your TPI Air Circulator carries a one year warranty.

For additional information on TPI Products or replacement parts, call TPI Customer Service Department at 1-800-251-0382 or write the address below.

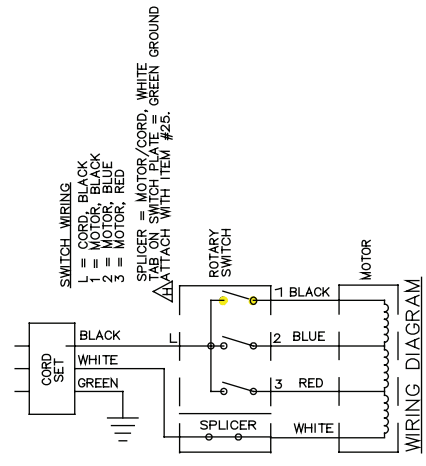
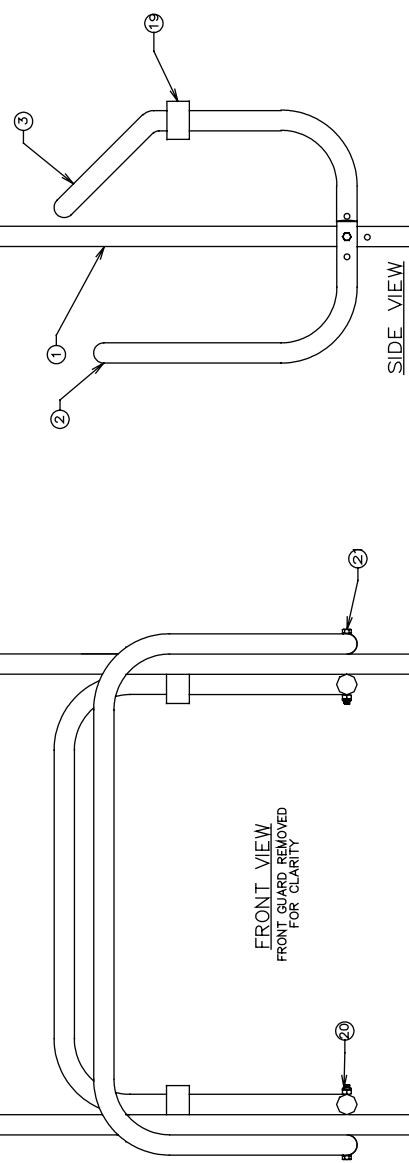
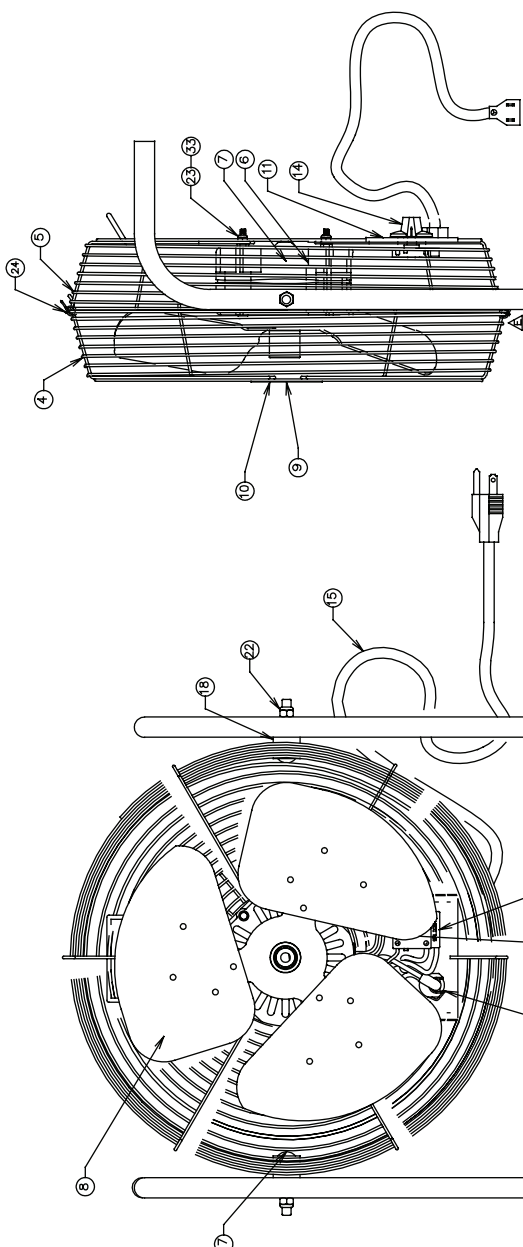
P.O. Box 4973 * Johnson City, Tennessee 37602-4973 * 423-477-4131 * Fax 423-477-0683

FORM: 9891
ECO1-8027

MODEL 18-H 18-H-TE 24-H-TE

ITEM	VAR. (OPTION)	QTY	P/N	DESCRIPTION
1		2	58063-001	ARM
2		1	58054-001	FOOT
3		1	58055-001	FOOT WITH WHEELS
4		1	63725-001	FRONT GUARD
5		1	63756-001	REAR GUARD
6		1	58043-001	MOTOR
7		1	56156-001	MOTOR, TOTALLY ENCLOSED
8		1	58049-003	DATA LABEL
9		1	58048-003	DATA LABEL
10		1	58049-003	DATA LABEL
11		1	29904-007	FAN BLADE ASSEMBLY
12		1	29904-017	FAN BLADE ASSEMBLY
13		1	43886-001	CENTER LOGO PLATE
14		1	43887-001	CENTER LOGO LABEL
15		1	43888-001	CENTER LOGO LABEL
16		1	43889-001	CENTER LOGO LABEL
17		1	28666-001	SWITCH PLATE LABEL
18		1	114095-00	SCREW #2 X 1/4" TYPE F,PAN HEAD
19		1	63727-002	SWITCH KNOB
20		1	58047-001	CORD SET ASSEMBLY
21		1	43889-001	STRAIN RELIEF
22		2	43884-001	RUBBER BUSHING
23		2	43884-003	RUBBER BUSHING
24		2	43894-001	NUT 1/4"-20 NYLOCK
25		2	43893-004	CAP SCREW 1/4"-20 X 2.500"
26		4	4901	NUT #8-32 NYLOCK
27		2	31759	NYLON 1/4" TYPE A SCREW
28		2	31757	NYLON 1/4" TYPE A SCREW
29		1	3159	#6 X 1/4" TYPE A SCREW
30		1	1204	NYLON TY-RAP
31		1	43970-001	KIT HARDWARE
32		1	43957-001	WASHER, FLAT
33		4		
34		4		

ITEMS REQUIRED FOR THIS MODEL



SWITCH WIRING
 L = CORD, BLACK
 1 = MOTOR, BLACK
 2 = MOTOR, BLUE
 3 = MOTOR, RED

SPLICER = MOTOR/CORD, WHITE
 ROTARY SWITCH PLATE = GREEN GROUND
 ATTACH WITH ITEM #25.