



## Industrial Air Circulator Instructions

For All Loading Dock Fan Models

READ AND SAVE THESE IMPORTANT INSTRUCTIONS

Important that the following safety precautions be followed when using this product:

- ALWAYS unplug unit for cleaning or maintenance.
- ALWAYS unplug unit when not in use.
- ALWAYS unplug when moving unit from one location to the next.
- DO NOT use an extension cord. Plug fan into a properly rated electrical outlet.
- DO NOT place foreign objects through guards into blades.
- DO NOT allow unit to become wet or damp.

**WARNING:** To avoid risk of fire or electrical shock, DO NOT use this fan with any solid state speed control device.

**WARNING:** TO REDUCE THE RISK OF FIRE, ELECTRICAL SHOCK OR INJURY TO PERSONS, OBSERVE THE FOLLOWING: Do not use replacement parts that have not been recommended by the manufacturer (e.g. parts made at home using a 3D printer).

### INSTALLATION INSTRUCTIONS

For installation on wood structures, use a 1/2" lag screw of approximate length for the application.

For installation on steel structures, use a 1/2" bolt of the appropriate length for the application, in combination with a flat washer, a lock washer and a 1/2" nut.

For installation on masonry structures, use a 1/2" lag screw, in combination with a lag shield, of appropriate length for the application.

In all cases it is recommended that a flat washer be placed on both sides of the fan yoke to assist in smooth rotation.

### OPERATING INSTRUCTIONS

The unit is equipped with a three (3) speed selector switch, which allows you to select a desired amount of air delivery. During normal operation it is not uncommon for the motor to be warm to the touch. The motor is equipped with a thermo-protector and will automatically de-energize the fan if it were to over heat for any reason. If this should happen immediately disconnect unit from power outlet.

### CLEANING / MAINTENANCE

All maintenance should be done by either TPI Corporation or a qualified electrician. The motor bearings are lubricated at the factory and should not require any additional lubrication. However, if bearing lubrication is required, apply a small amount of a synthetic oil to the motor bearing.

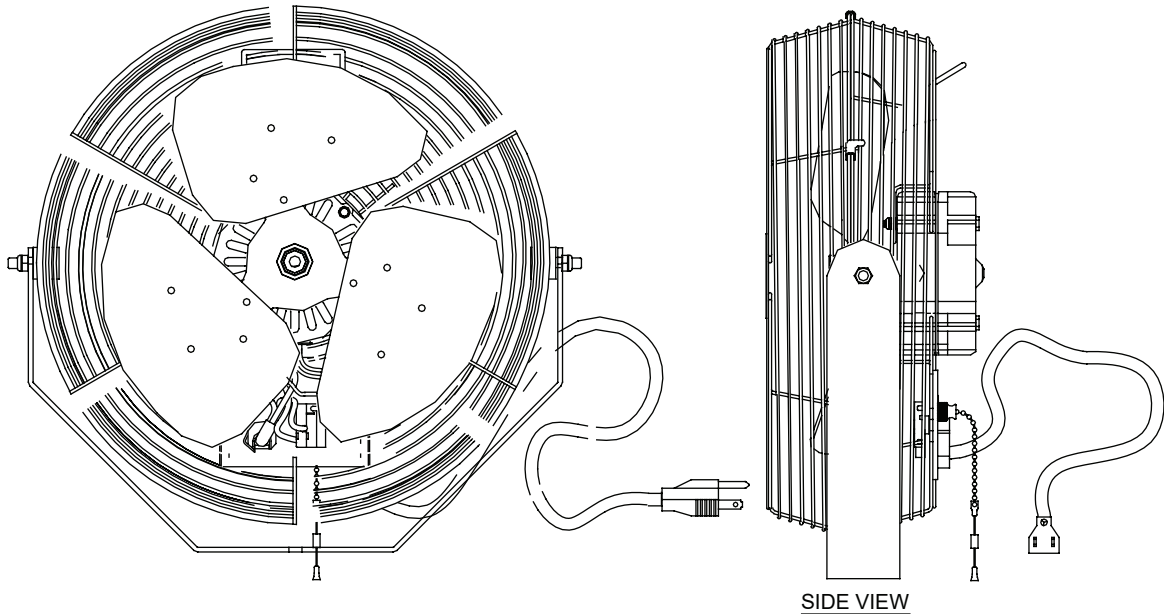
Remove two retaining screws and open the six guard clips on the flange. Lift front guard up and off to separate the two halves. Use a mild detergent to clean the blade and guards. Avoid allowing cleanser to come in contact with the motor windings or bearings. Then replace front guard in reverse order of disassembly. Allow fan to completely dry before next use.

Reference assembly drawing and parts list on the reverse side of this instruction sheet. Save these important instructions. Your TPI Air Circulator carries a one year warranty. For addition information on TPI Products or replacement parts, call TPI Customer Service Department at 1-800-251-0382 or write to address below.

P.O. Box 4973 \* Johnson City, Tennessee 37602-4973 \* 423-477-4131 \* Fax 423-477-0683

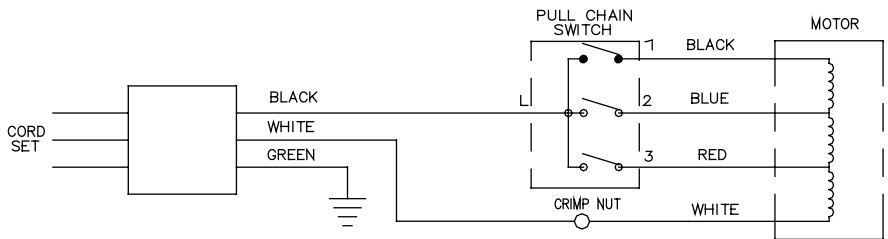
FORM: 9896  
ECO 1-8027

QTY	TPI P/N	DESCRIPTION
1	58056-012	YOKE
1	63755-001	FRONT GUARD
1	63756-001	REAR GUARD
1	58364-002	MOTOR
1	58299-008	FAN BLADE ASSEMBLY
1	43887-001	CENTER LOGO LABEL
1	43883-001	SWITCH PLATE LABEL
1	58071-001	SWITCH
1	58047-002	CORD SET ASSEMBLY
1	43882-001	STRAIN RELIEF
2	42502-001	BOLT, 1/4"-20 X 1.250" CARRAIGE
2	43884-001	RUBBER BUSHING
2	4901	NUT, 1/4"-20 HI-CROWN NYLOCK
4	3904	NUT, #8-32 NYLOCK
2	3377	NYLON TY-RAP
1	3159	#6 x 1/4 TYPE A SCREW



FRONT VIEW

FRONT GUARD REMOVED FOR CLARITY



SWITCH WIRING

WIRING DIAGRAM

L = CORD, BLACK  
 1 = MOTOR, BLACK  
 2 = MOTOR, BLUE  
 3 = MOTOR, RED  
 SPLICER = MOTOR/CORD, WHITE  
 TAB ON SWITCH PLATE = GREEN GROUND  
 ATTACH WITH ITEM #18.