



Industrial Air Circulator Instructions

For Mini Blowers Employing an MBW-W

READ AND SAVE THESE IMPORTANT INSTRUCTIONS

It is important that the following safety precautions be followed when using this product:

- ALWAYS unplug unit for cleaning or maintenance.
- ALWAYS unplug unit when not in use.
- ALWAYS unplug when moving unit from one location to the next.
- DO NOT use an extension cord. Plug fan into a properly rated electrical outlet.
- DO NOT place foreign objects through guards into blades.
- DO NOT allow unit to become wet or damp.

WARNING: To avoid risk of fire or electrical shock, DO NOT use this fan with any solid state speed control device.

WARNING: TO REDUCE THE RISK OF FIRE, ELECTRICAL SHOCK OR INJURY TO PERSONS, OBSERVE THE FOLLOWING: Do not use replacement parts that have not been recommended by the manufacturer (e.g. parts made at home using a 3D printer).

MBW-W INSTALLATION INSTRUCTIONS

For installation on wood structures, use two 5/16" washers and two 5/16" lag screws of appropriate length for the application (not included). See illustration 1 on reverse side for proper mounting holes.

For installation on steel structures, use four 5/16" ID flat washers, two 5/16" split lock washers, two 5/16" hex nuts, and two 5/16 hex head screws of the appropriate length for the application (not included). See illustration 1 on reverse side for proper mounting holes.

For installation on masonry structures, use two 5/16" washers and two 5/16" lag screws of the appropriate length for the application in combination with a lag shield, or equivalent 5/16" wall anchoring fasteners (not included). See illustration 1 on reverse side for proper mounting holes.

After installing the MBM-W mount, attach the fan unit to the MBM-W using 1/2" hex head screw, 1/2" flat washer and 1/2" hex nut provided. See illustration 2 on reverse side. Securely tighten all fasteners before operating fan.

OPERATING INSTRUCTIONS

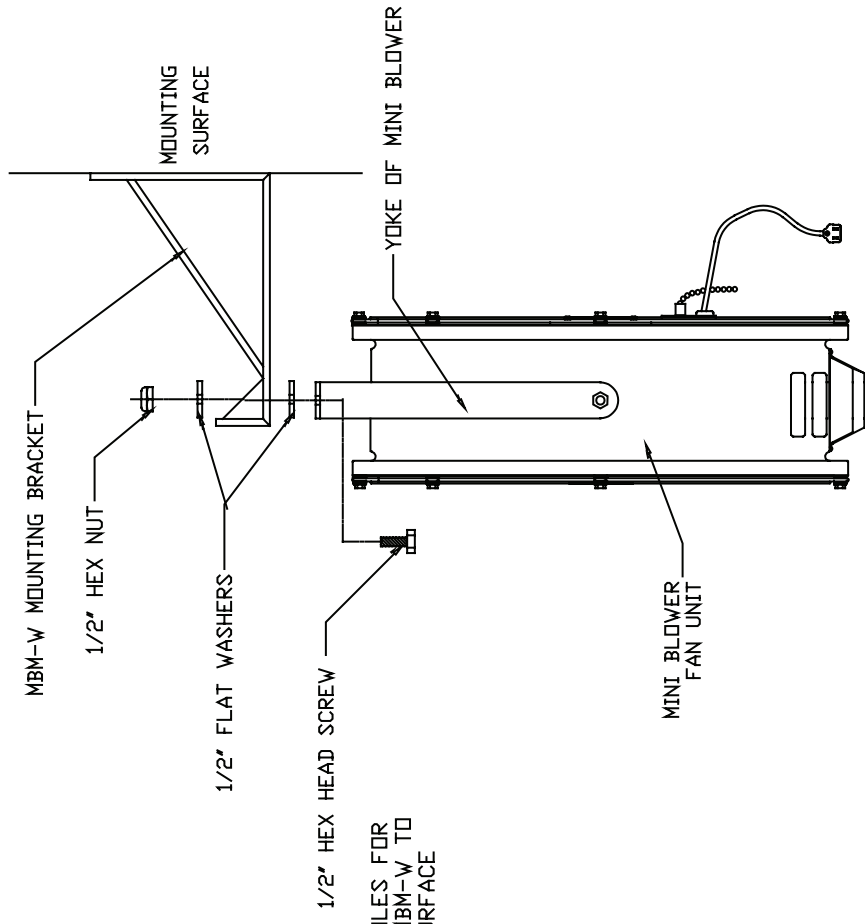
This unit is equipped with a speed selector switch, which allows you to select a desired amount of air delivery. TPI Air Circulators can be used alone or in conjunction with an air conditioner to circulate and force cooled air into other areas. During normal operation it is not uncommon for the motor to be warm to the touch. The motor is equipped with a thermo-protector and will automatically de-energize the fan if it were to over heat for any reason. If this should happen immediately disconnect unit from power.

CLEANING / MAINTENANCE INSTRUCTIONS

All maintenance should be done by either TPI Corporation or a qualified electrician. The motor bearings are lubricated at the factory and should not require any additional lubrication. However, if bearing lubrication is required, apply a small amount of a high temperature bearing grease. Use a 5/16" nut driver to loosen screws for removing front and rear fan guards. Use an air hose or vacuum to remove any air borne contaminants which may have settled on motor or bearings. Use a mild detergent to clean blade and guards. Avoid allowing the cleanser to come in contact with the motor bearings or windings. Replace guards using 5/16" nut driver. Allow fan to completely dry before next use.

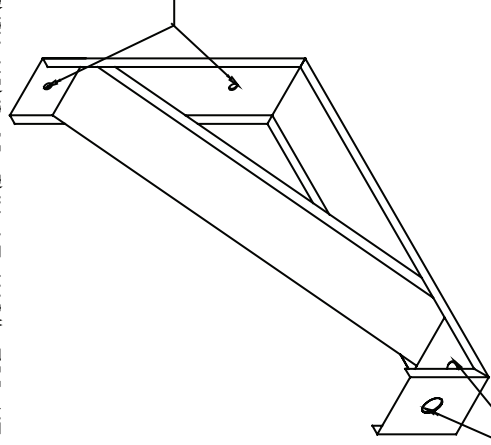
For additional information on TPI Products or replacement parts, call TPI Customer Service Department at 1-800-251-0382 or write to the address below.

P.O. Box * Johnson City, Tennessee 37602-4973 * 423-477-4131 * FAX 423-477-0683



ILL. 2

MBM-W MOUNT FOR USE WITH 24 AND 30 INCH MINI BLOWERS



ILL. 1
HOLES FOR ATTACHING FAN TO MBM-W MOUNT