

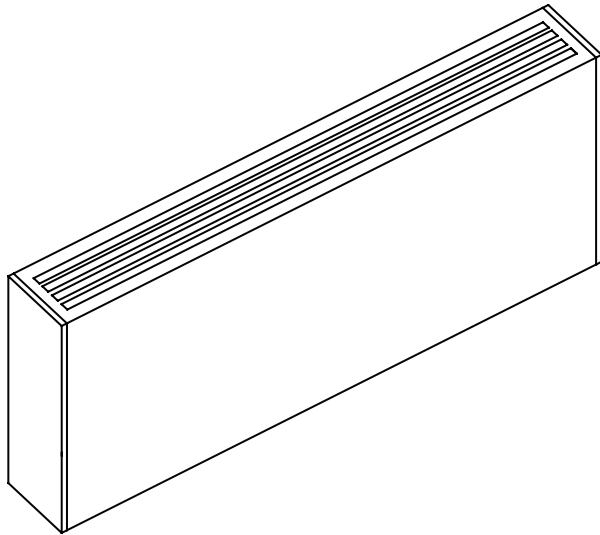
INSTALLATION AND OPERATION INSTRUCTIONS ARCHITECTURAL SILL HEIGHT DRAFT BARRIERS SERIES ASHDB-8 THRU -20

INSTALLATION INSTRUCTIONS



TPI Corporation
P.O. Box 4973
Johnson City, TN
37602-4973

America's Comfort Conditioning Company



NOT FOR RESIDENTIAL USE

GENERAL:

Series ASHDB Architectural Sill Height Draft barriers may be mounted individually, end to end and wall to wall. each heater is factory pre-wired, ready for branch circuit connection. sill line heaters are constructed of 16 gauge steel, and are equipped with an aluminum finned tubular heating element(s), automatic reset thermal cut-outs and are available with optional integral thermostat and disconnect switch. ASHDB-8 models are also available with optional pedestals.

CONTROLS:

DESCRIPTION: Single Pole Thermostat
CATALOG NO.: ASDB-ITS
RATED 25 AMPS AT 120-277. 50-90°F
temperature range.

DESCRIPTION: DISCONNECT SWITCH
CATALOG NO.: DBF/DBT-IDS
DOUBLE POLE RATED 20 AMPS AT
120-277V. Switch is derated to 16A
operating current per N.E.C.

DESCRIPTION: Double Pole Thermostat
CATALOG NO.: DBF/DBT-ITD
RATED 25 AMPS AT 120-277. 50-90°F
Temperature range. tamperproof and adjustable
thru discharge louver.

NOTE:When heaters are furnished with controls, make certain that the heater or heaters do not exceed the lowest amperage rating of the controls furnished. For example, if a thermostat and disconnect are furnished, the thermostat is rated at 25 amps , the disconnect is rated 16 amps, the combination of heaters should not exceed 16 amps.

IMPORTANT INSTRUCTIONS

WHEN USING ELECTRICAL APPLIANCES, BASIC PRECAUTIONS SHOULD ALWAYS BE FOLLOWED TO REDUCE THE RISK OF FIRE, ELECTRIC SHOCK, AND INJURY TO PERSONS, INCLUDING THE FOLLOWING:

1. Read all instructions before using this heater.
2. A heater has hot and arcing or sparking parts inside. Do not use it in areas where gasoline, paint, or flammable liquids are used or stored.
3. This heater is hot when in use. To avoid burns, do not let bare skin touch hot surfaces. If provided, use handles when moving this heater. Keep combustible materials, such as furniture, pillows, bedding, papers, clothes, and curtains away from heater.
4. To prevent a possible fire, do not block air intakes or exhaust in any manner. Do not use on soft surfaces, like a bed, where openings may become blocked.
5. Do not insert or allow foreign objects to enter any ventilation or exhaust openings as this may cause an electric shock or fire, or damage the heater.
6. **"SAVE THESE INSTRUCTIONS"**

CAUTION: HIGH TEMPERATURES

KEEP ELECTRICAL CORDS, FURNITURE, DRAPERIES OR ANY OTHER BLOCKING MATERIAL AWAY FROM HEATER. DO NOT INSTALL HEATERS AGAINST PAPERBOARD OR LOW DENSITY FIBERBOARD SURFACES. DO NOT PLACE HEATER BELOW ELECTRICAL CONVENIENCE RECEPTACLE.

ROUGH-IN WIRING:

1. Run branch circuit of proper voltage and wire size to box of the heater. Power can be entered on either end of the heater. The table below provides correct wire size for wire entry.

TABLE 1.

		MAXIMUM WATTS PER CIRCUIT USING 75°C WIRE				
		WIRE SIZE	120V	208V	240V	277V
COPPER WIRE	14	1440	2496	2880	3324	
	12	1920	3328	3840	4432	
	10	2880	4992	5760	6648	

2. Wire entry into a draft barrier installation is commonly made into one draft barrier heater. Trough wiring (factory furnished) is used for connection to adjacent heaters.
3. Knockouts are located at each end of the heater back panel for wire entry. A knockout is also located on each side of the junction box.
4. All wiring and electrical grounding of the heater back panel to be in accordance with National Electrical Code and/or authority having jurisdiction. A grounding terminal in each heater splice compartment is provided for this purpose.

INSTALLATION SERIES ASHDB:

1. Heaters must be installed a minimum of 3" from floor surface.
2. Once installation height has been determined, proper markings along the wall should be made to insure that the heater will mounted evenly. remove the back plate section housing the heating element from the carton.
3. Mount the back panel to the wall using suitable fasteners (by installer). pre-punched mounting holes are provided for this purpose.
4. Insert correct electrical service through the appropriate knockout in either the left hand or right hand junction box.
5. Connect grounding wire to screw provided in junction box.
6. Replace junction box covers.
7. When multiple heaters are to be wired together, remove appropriate terminal box end knockout. If heaters are not installed wall to wall or with adjacent heaters, end caps ASHDB-8 THRU 20EC must be used.
8. Install a chase nipple and locknut in the appropriate terminal box end knockouts. Make certain that all heaters in the circuit are grounded. A grounding terminal is provided in each splice compartment for this purpose. When wiring through blank sections or corner sections, use rigid conduit. Make certain that all grounding connections are made.
9. The power supply may be brought into the end of one heater and the remaining heaters may be connected in parallel using the factory installed wires (#12 AWG, 105 Deg. C) in the wireway.
10. When wiring multiple heaters, the total load must not exceed the capacity for 12 AWG. wire.

FRONT ENCLOSURE:

1. Once back cover has been properly mounted, place the front cover enclosure on the brackets provided on the back cover. **DO NOT OPERATE HEATER WITHOUT FRONT COVER IN PLACE.**
2. Insert hex head screw located on the bottom of the front enclosure into the back cover plate. This assures that the front cover has been properly installed.
3. Snap fit the louver section between the back and front enclosures. replace screws.
4. If end caps are used, snap end caps securely to the enclosure. No screws are necessary to mount end caps.

FIELD WIRING WITH INTEGRAL CONTROLS

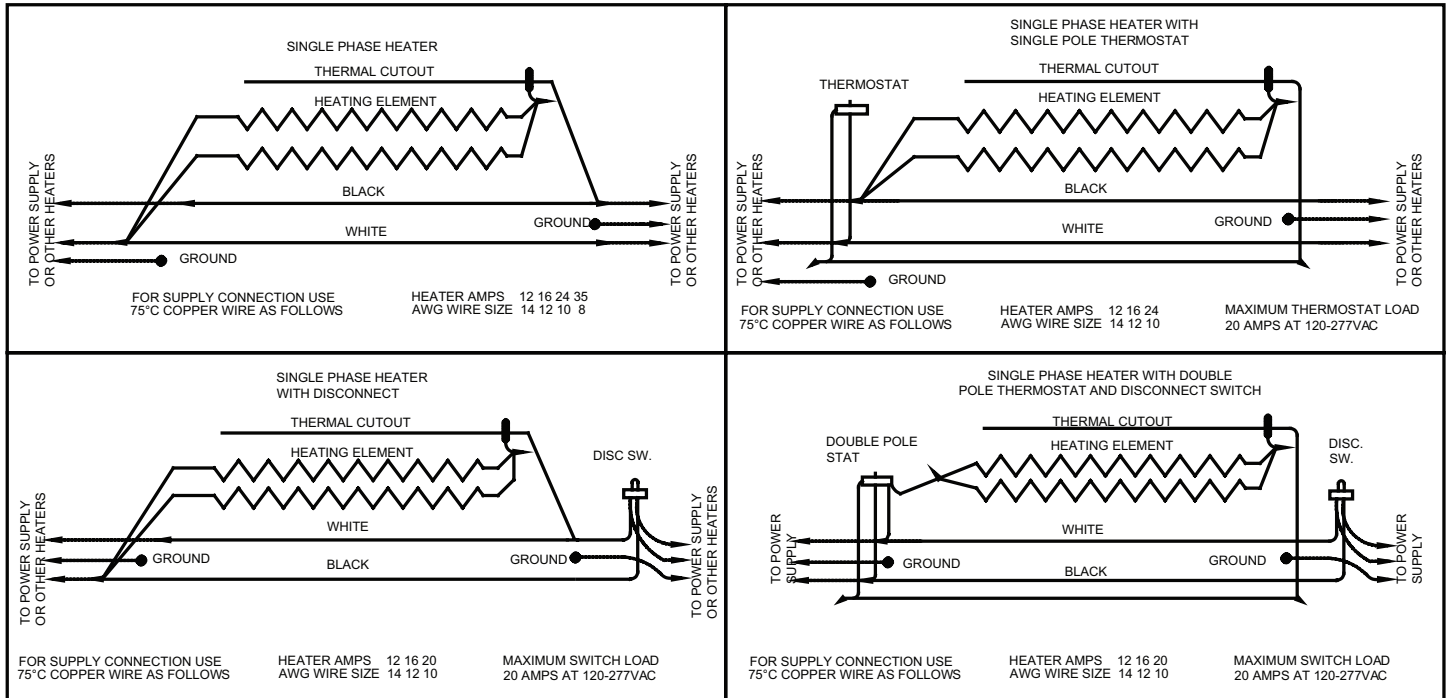
INTEGRAL THERMOSTATS: WIRE ENTRY FROM EITHER END.

DISCONNECT SWITCH: RIGHT HAND ENTRY.

THERMOSTAT AND DISCONNECT : RIGHT HAND ENTRY ONLY.

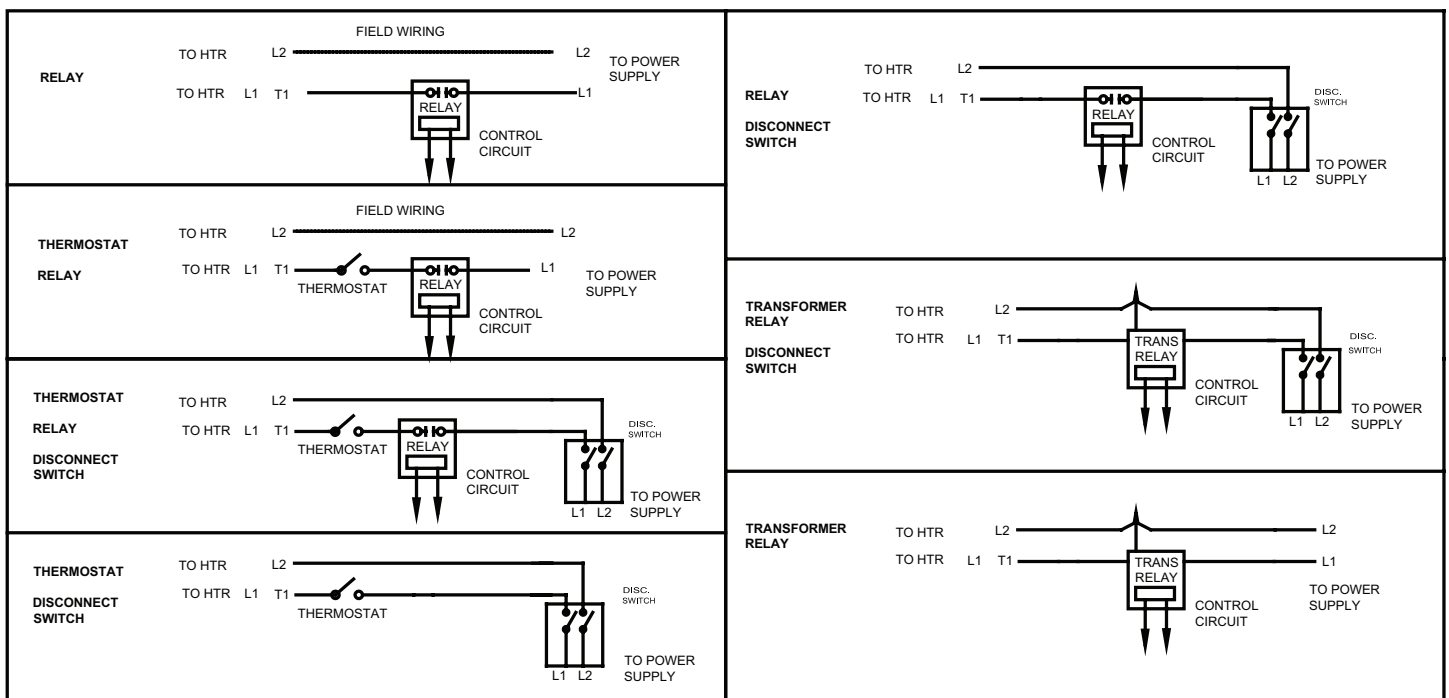
WHEN HEATERS ARE FURNISHED WITH CONTROLS, MAKE CERTAIN THAT THE HEATER OR HEATERS DO NOT EXCEED THE LOWEST AMPERAGE RATING OF THE CONTROLS FURNISHED. FOR EXAMPLE, IF A THERMOSTAT AND DISCONNECT ARE FURNISHED, THE THERMOSTAT IS RATED AT 25 AMPS AT 240 AND 277. THE DISCONNECT IS RATED 20 AMPS, 240 AND 277. THE COMBINATION OF HEATERS SHOULD NOT EXCEED 20 AMPS AT 240 OR 277.

WIRING DIAGRAMS



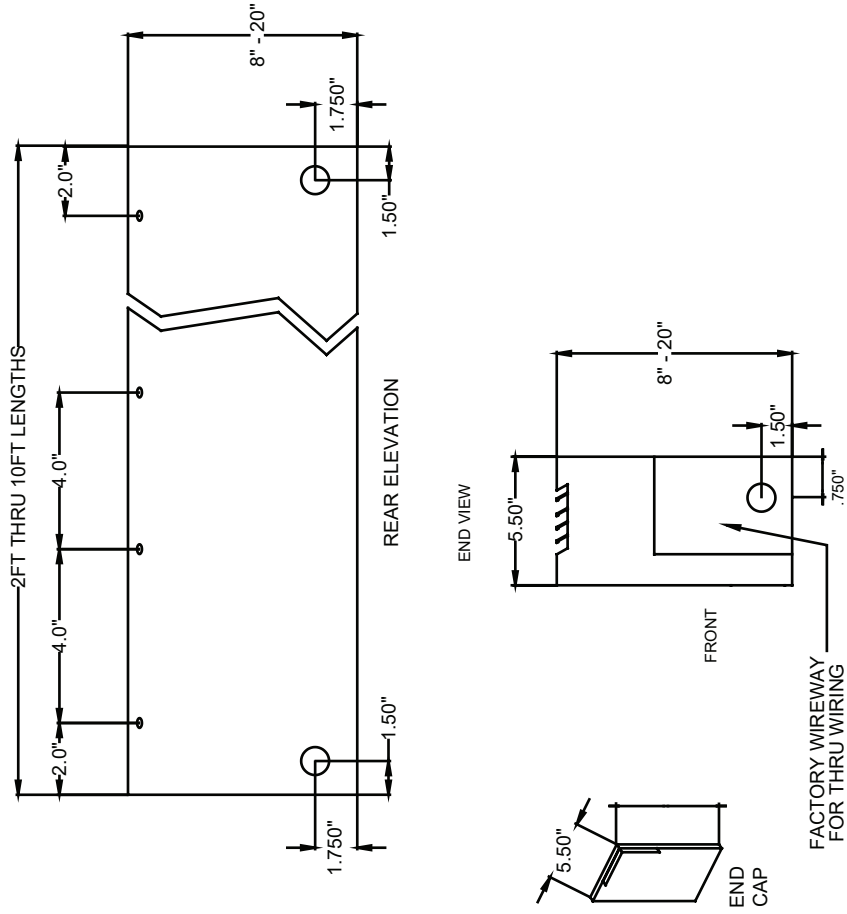
WIRING DIAGRAMS-CONTROL SECTION

NOTE: ON 277V WHITE WIRE IS NEUTRAL

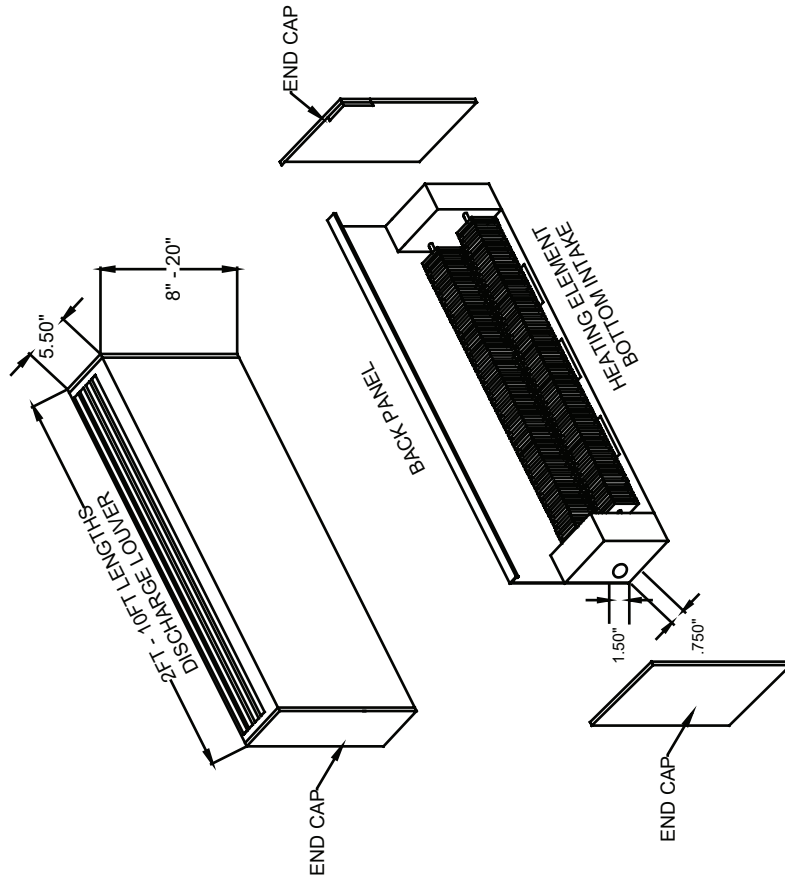


DIMENSIONS

**KNOCKOUTS AND MOUNTING HOLES
TYPES ASHDB**



**INSTALLATION
ASHDB-8 THRU 20**



CAUTION AND WARNING STATEMENT - DBT, DBF, DRAFT BARRIER

Wiring procedures and connections should be in accordance with nation and local codes having jurisdiction. Note: all baseboard must be grounded in accordance with article 250 of N.E.C.

Do not install baseboard heater below electrical convenience receptacles (outlets).

High temperatures are present at outlet openings. Keep electrical cords, drapes and other furnishings or objects clear of these openings.

To reduce risk of fire, do not store or use gasoline or other flammable vapors and liquids in the vicinity of the heaters.

High temperatures, keep electrical cords, drapes and other furnishings away from the heater.

RECOMMENDATIONS FOR DRAPE PLACEMENT NEAR BASEBOARD HEATER

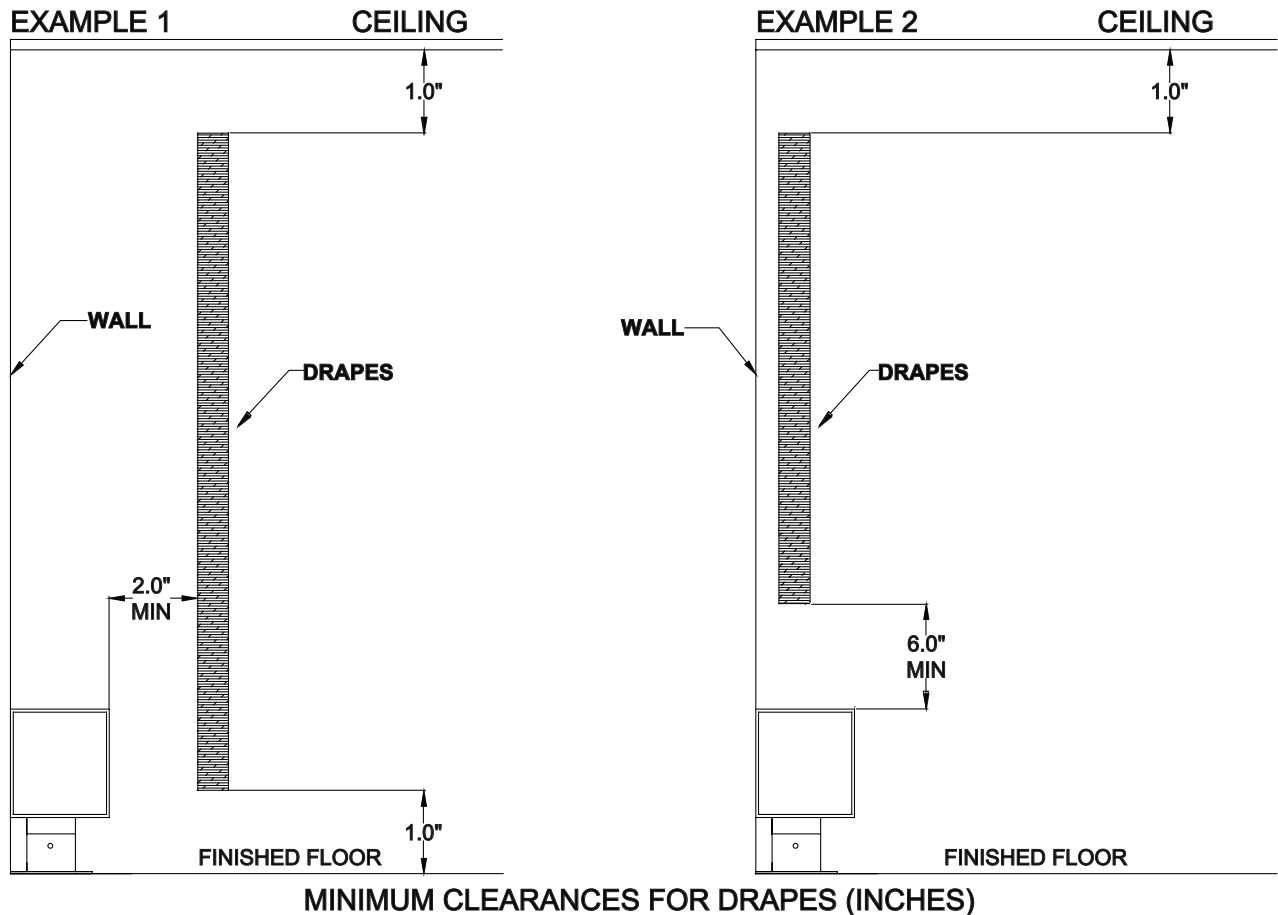
Allow minimum clearance of 1" from drapes to ceiling and top of floor covering to permit air circulation (example 1).

Hang full length drapes to provide a minimum of 2" airspace between heater front and nearest drape fold as shown in (example 1.)

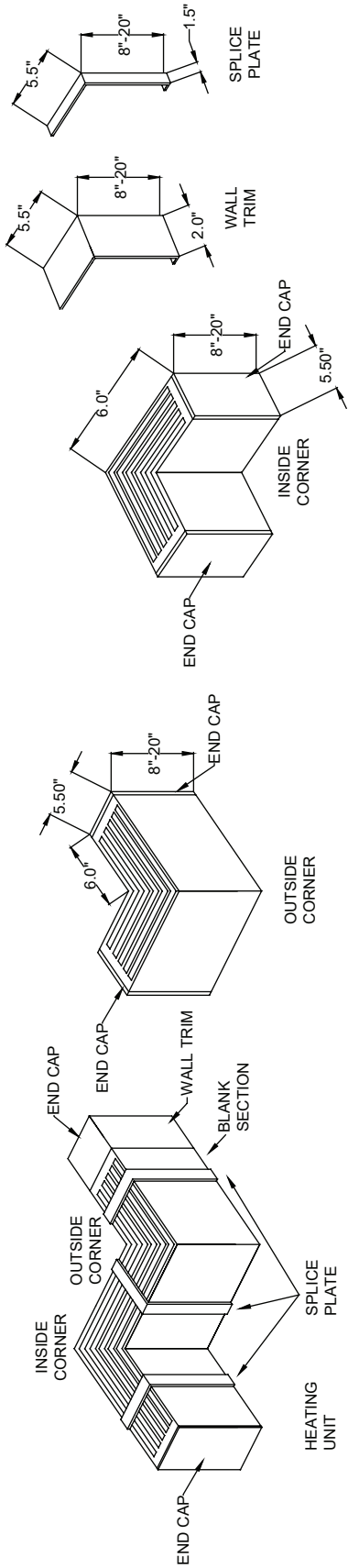
Hang short drapes to provide minimum of 6" clearance between bottom of drapes and top of heater, preferably more (example 2).

Do not under any condition allow drapery to come in contact with heater. Some fabrics discolor in time from exposure to sunlight or warm air.

Check to make sure drapery material will not discolor, shrink, or stretch upon extended (1000 hour) exposure to temperatures of 200°F.



ACCESSORIES



ARCHITECTURAL PEDESTAL HEATERS
 SERIES ASHDB
 ASHDB-100-500 WATTS PER FOOT

