

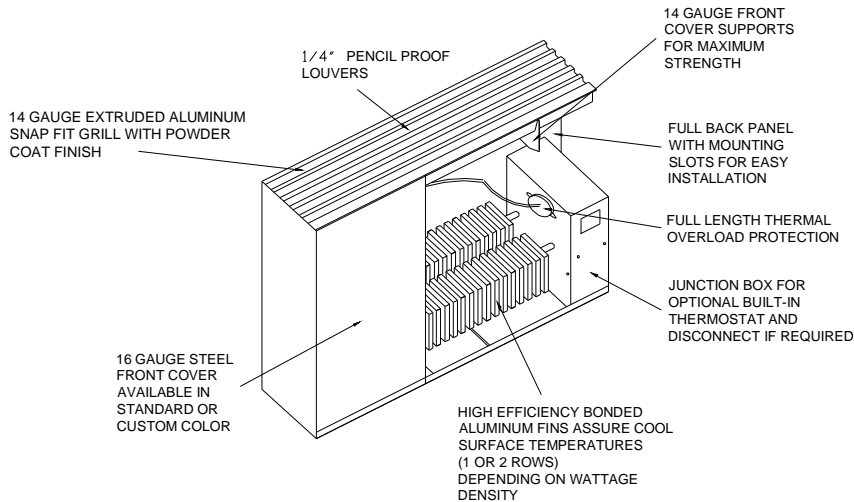
american stabilis

INSTALLATION INSTRUCTIONS

ARCHITECTURAL SILL HEIGHT DRAFT BARRIER

SERIES ASHDB-8 THRU 20

AND WITH OPTIONAL PEDESTALS (ASHDB-8 ONLY)



GENERAL:

AMERICAN STABILIS ARCHITECTURAL SILL HEIGHT DRAFT BARRIERS MAY BE MOUNTED INDIVIDUALLY, END TO END AND WALL TO WALL. EACH HEATER IS FACTORY PRE-WIRED, READY FOR BRANCH CIRCUIT CONNECTION. SILL LINE HEATERS ARE CONSTRUCTED OF 16 GAUGE FURNITURE STEEL, AND ARE EQUIPPED WITH AN ALUMINUM FINNED TUBULAR HEATING ELEMENT(S), AUTOMATIC RESET THERMAL CUT-OUTS AND ARE AVAILABLE WITH OPTIONAL INTEGRAL THERMOSTAT AND DISCONNECT SWITCH.

CAUTION: HIGH TEMPERATURES:

1. KEEP ELECTRICAL CORDS, FURNITURE, DRAPERIES OR ANY OTHER BLOCKING MATERIAL AWAY FROM THE HEATER.
2. DO NOT INSTALL HEATERS AGAINST PAPERBOARD, LOW DENSITY FIBERBOARD, OR VINYL SURFACES.
3. DO NOT PLACE HEATER BELOW ELECTRICAL CONVENIENCE RECEPTACLE.
4. CHECK THE SUPPLY VOLTAGE TO MAKE SURE IT IS THE SAME AS INDICATED ON THE HEATER NAMEPLATE.
5. TO AVOID POSSIBLE ELECTRICAL SHOCK, MAKE CERTAIN THAT ALL POWER IS TURNED OFF AT THE MAIN SWITCH BEFORE WIRING. ALL WIRING AND ELECTRICAL GROUNDING OF THE ENTIRE HEATER INSTALLATION MUST BE GROUNDED AS A PRECAUTION AGAINST POSSIBLE ELECTRICAL SHOCK. A GROUNDING TERMINAL IN THE HEATER SPLICE COMPARTMENT IS PROVIDED FOR THIS PURPOSE.

RECEIVING:

1. MAKE SURE THAT THE NUMBER OF CARTONS AGREE WITH THE BILL OF LADING, PACKING LIST AND ORIGINAL ORDER.
2. MATERIAL WAS SHIPPED IN GOOD ORDER AND AMERICAN STABILIS HOLDS CLEAR BILL OF LADING, THEREFORE ANY CONCEALED DAMAGE MUST BE REPORTED AT ONCE TO THE CARRIER FOR INSPECTION AND SETTLEMENT.

ROUGH-IN WIRING:

1. RUN BRANCH CIRCUIT OF PROPER VOLTAGE AND WIRE SIZE TO LOCATION OF THE TERMINAL BOX OF THE HEATER. TABLE BELOW PROVIDES CORRECT WIRE SIZE FOR WIRE ENTRY.

TABLE 1.

	ROUGH IN WIRE SIZE	MAXIMUM WATTS PER CIRCUIT USING 75°C WIRE			
		120V	208V	240V	277V
COPPER WIRE	14	1440	2496	2880	3324
	12	1920	3328	3840	4432
	10	2880	4992	5760	6648
ALUMINUM WIRE	12	1440	2496	2880	3324
	10	2400	4160	4800	5540

2. WIRE ENTRY INTO A DRAFT BARRIER INSTALLATION IS COMMONLY MADE INTO ONE DRAFT BARRIER HEATER. THROUGH WIRING (FACTORY FURNISHED) IS USED FOR CONNECTION TO ADJACENT HEATERS.

3. $\frac{1}{2}$ & $\frac{3}{4}$ KNOCKOUTS ARE LOCATED AT EACH END OF THE HEATER BACK PANEL FOR WIRE ENTRY. A KNOCKOUT IS ALSO LOCATED ON EACH SIDE OF THE JUNCTION BOX.

4. ALL WIRING AND ELECTRICAL GROUNDING OF THE HEATER BACK PANEL TO BE IN ACCORDANCE WITH NATIONAL ELECTRICAL CODE AND APPLICABLE LOCAL CODES. A GROUNDING TERMINAL IN THE HEATER SPLICE COMPARTMENT IS PROVIDED FOR THIS PURPOSE.

TO INSTALL ASHDB:

1. HEATERS MUST BE INSTALLED A MINIMUM OF 3" FROM FLOOR SURFACE EXCEPT NOTE 1.
2. ONCE INSTALLATION HEIGHT HAS BEEN DETERMINED, PROPER MARKINGS ALONG THE WALL SHOULD BE MADE TO INSURE THAT THE HEATER WILL MOUNTED EVENLY. REMOVE THE BACK PLATE SECTION HOUSING THE HEATING ELEMENT FROM THE CARTON.
3. MOUNT THE BACK PANEL TO THE WALL USING SUITABLE FASTENERS (BY INSTALLER). PRE-PUNCHED MOUNTING HOLES ARE PROVIDED FOR THIS PURPOSE.
4. INSERT CORRECT ELECTRICAL SERVICE THROUGH THE APPROPRIATE KNOCKOUT IN EITHER THE LEFT HAND OR RIGHT HAND JUNCTION BOX.
5. CONNECT GROUNDING WIRE TO SCREW PROVIDED IN JUNCTION BOX.
6. REPLACE JUNCTION BOX COVERS.
7. WHEN MULTIPLE HEATERS ARE TO BE WIRED TOGETHER, REMOVE APPROPRIATE TERMINAL BOX END KNOCKOUT. IF HEATERS ARE NOT INSTALLED WALL TO WALL OR WITH ADJACENT HEATERS, END CAPS ASHDB-8 THRU 20EC MUST BE USED.
8. INSTALL A CHASE NIPPLE AND LOCKNUT IN THE APPROPRIATE TERMINAL BOX END KNOCKOUTS. MAKE CERTAIN THAT ALL HEATERS IN THE CIRCUIT ARE GROUNDED. A GROUNDING TERMINAL IS PROVIDED IN EACH SPLICE COMPARTMENT FOR THIS PURPOSE. WHEN WIRING THROUGH BLANK SECTIONS OR CORNER SECTIONS, USE RIGID CONDUIT. MAKE CERTAIN THAT ALL GROUNDING CONNECTIONS ARE MADE.
9. THE POWER SUPPLY MAY BE BROUGHT INTO THE END OF ONE HEATER AND THE REMAINING HEATERS MAY BE CONNECTED IN PARALLEL USING THE FACTORY INSTALLED WIRES IN THE WIREWAY.
10. WHEN WIRING MULTIPLE HEATERS, DO NOT EXCEED THE VALUES GIVEN IN THE TABLE BELOW. (FIGURE 2)

FRONT ENCLOSURE:

1. ONCE BACK COVER HAS BEEN PROPERLY MOUNTED, PLACE THE FRONT COVER ENCLOSURE ON THE BRACKETS PROVIDED ON THE BACK COVER. DO NOT OPERATE HEATER WITHOUT FRONT COVER IN PLACE.
2. INSERT HEX HEAD SCREW LOCATED ON THE BOTTOM OF THE FRONT ENCLOSURE INTO THE BACK COVER PLATE. THIS ASSURES THAT THE FRONT COVER HAS BEEN PROPERLY INSTALLED.
3. SNAP FIT THE LOUVER SECTION BETWEEN THE BACK AND FRONT ENCLOSURES. REPLACE SCREWS.
4. IF END CAPS ARE USED, SNAP END CAPS SECURELY TO THE ENCLOSURE. NO SCREWS ARE NECESSARY TO MOUNT END CAPS.

FIGURE 2. PARALLEL WIRING MORE THAN ONE UNIT. (NOTE 2)

	208 VOLTS		240 VOLTS		277 VOLTS	
MAXIMUM WATTS/FOOT	LENGTH	AMPS	LENGTH	AMPS	LENGTH	AMPS
500	13FT	31.2	15FT	31.2	17FT	30.7

THESE FIGURES ON LENGTHS AND AMPS ARE BASED ON THE SIZE OF WIRE SUPPLIED WITH EACH HEATER IN THE WIREWAY. THE WIRE SUPPLIED IS 105°C: 12 GAUGE.

BRANCH CIRCUITS:

HEATER BRANCH CIRCUITS SHALL HAVE A CARRYING CAPACITY OF NOT LESS THAT 125% IF THE LOAD SERVED. ALL EXTERNAL WIRING TO HEATER SHALL BE IN ACCORDANCE WITH NEC AND OTHER APPLICABLE CODES.

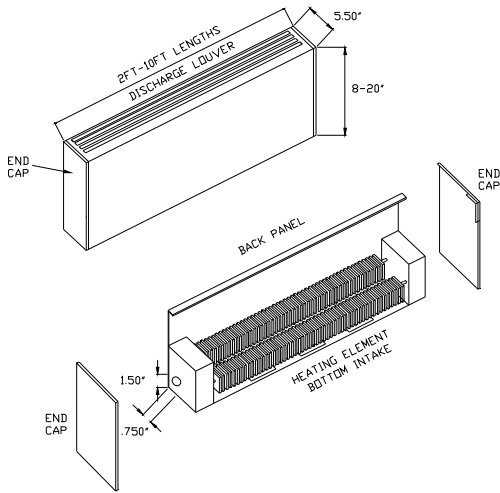
NOTE 1: HEATERS WITH SUFFIX (F) ARE FLOOR MOUNTED TYPE.

NOTE 2: ANY COMBINATION (SAME VOLTAGE) OF THE ABOVE HEATERS CAN BE CONNECTED TO GIVE DESIRED CAPACITY, TOTAL LOAD CANNOT EXCEED AMPERAGE GIVEN IN FIGURE 2.

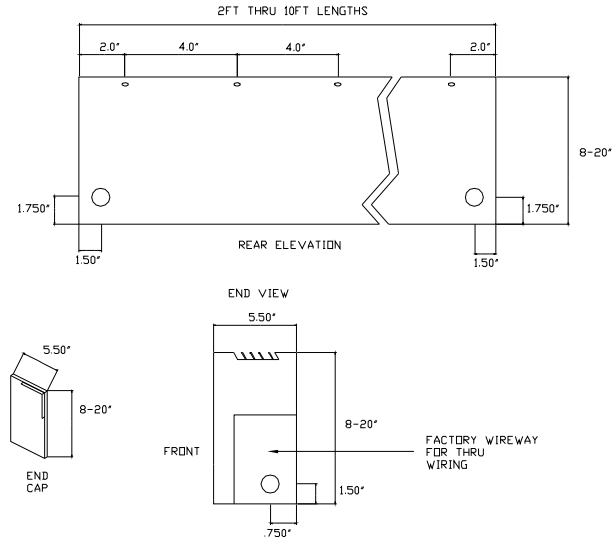
NOTICE:

"TO REDUCE THE RISK OF FIRE, DO NOT STORE GASOLINE OR OTHER FLAMMABLE VAPORS AND LIQUIDS IN THE VICINITY OF THE HEATER".

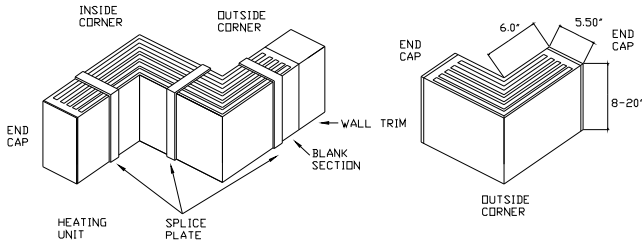
INSTALLATION ASHDB-8 THRU 20



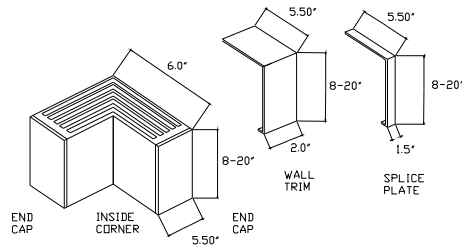
KNOCKOUTS AND MOUNTING HOLES TYPES ASHDB



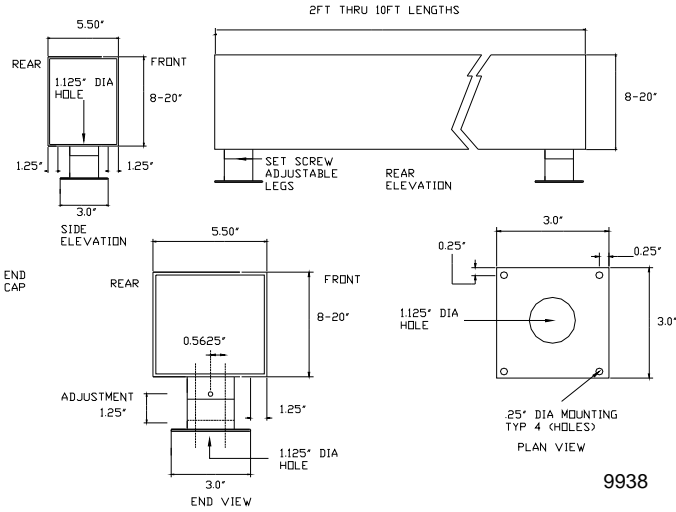
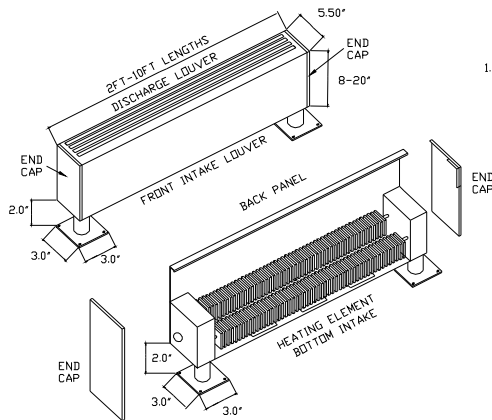
TYPICAL INSTALLATION



ACCESSORIES



ARCHITECTURAL PEDESTAL HEATERS SERIES ASHDB ASHDB BPD-100-500 WATTS PER FOOT



FIELD WIRING WITH INTEGRAL CONTROLS

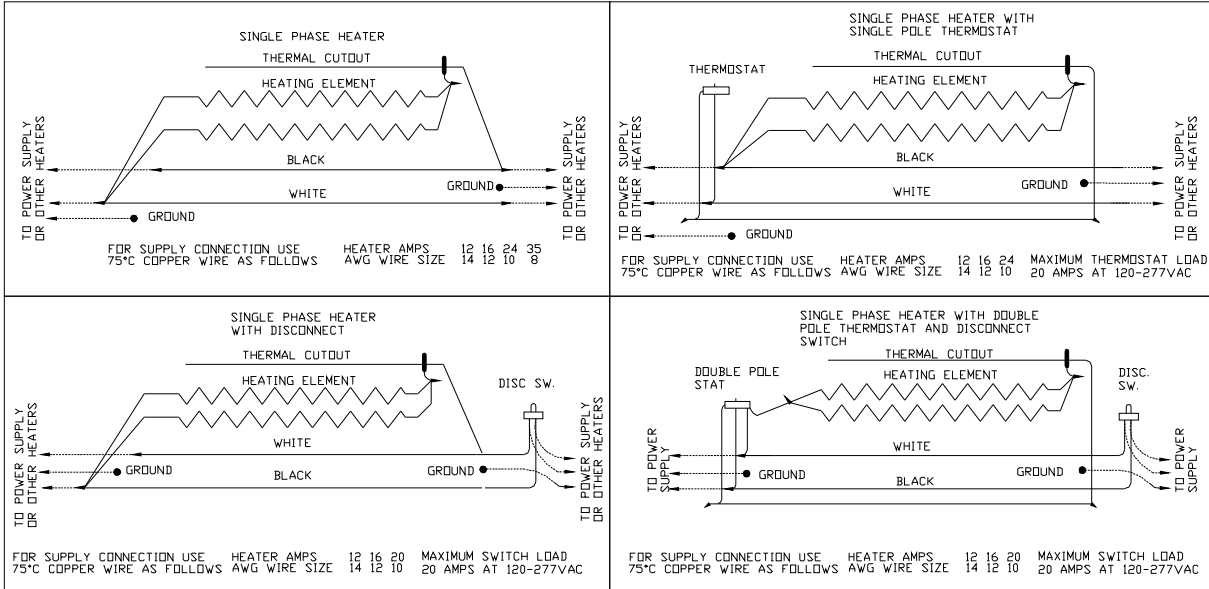
- INTEGRAL THERMOSTATS: WIRE ENTRY FROM EITHER END. • DISCONNECT SWITCH: RIGHT HAND ENTRY.
- THERMOSTAT AND DISCONNECT : RIGHT HAND ENTRY ONLY.

WHEN HEATERS ARE FURNISHED WITH WIRING, MAKE CERTAIN THAT THE HEATER OR HEATERS DO NOT EXCEED THE LOWEST AMPERAGE RATING OF THE CONTROLS FURNISHED. FOR EXAMPLE, IF A THERMOSTAT AND DISCONNECT ARE FURNISHED, THE THERMOSTAT IS RATED AT 25 AMPS AT 240 AND 277. THE DISCONNECT IS RATED 20 AMPS, 240 AND 277. THE COMBINATION OF HEATERS SHOULD NOT EXCEED 20 AMPS AT 240 OR 277.

WIRING DIAGRAMS

HEATERS OVER 5FT LONG MAY HAVE 2 HEATING ELEMENTS

NOTE: ON 277V WHITE WIRE IS NEUTRAL



WIRING DIAGRAMS-CONTROL SECTION

NOTE: ON 277V WHITE WIRE IS NEUTRAL

