

# COVE HEATER

## CV SERIES



# INSTALLATION INSTRUCTIONS & ACCESSORIES



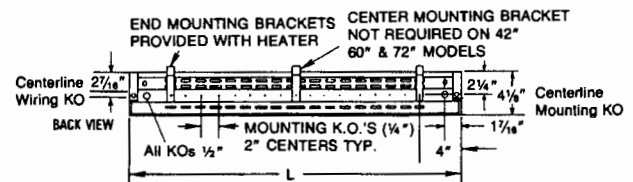
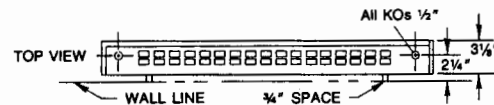
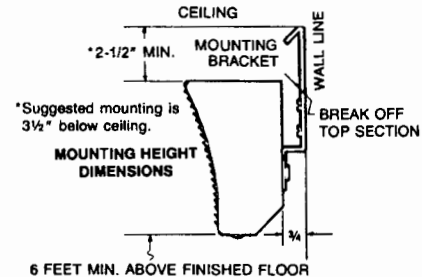
TPI Corporation  
P.O. Box 4973  
Johnson City, TN  
37602-4973

America's Comfort Conditioning Company

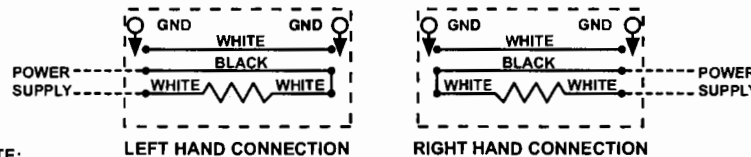
### INSTALLATION INSTRUCTIONS:

The CV series X heater is designed for wall or ceiling mount. Maintain at least 2-1/2" from the ceiling, 3/4" from back of the heater as follows.

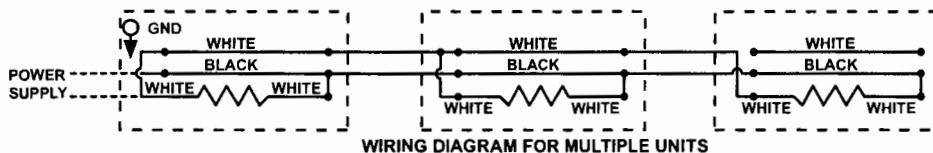
1. Remove front panel from the back panel by removing screws at bottom.
2. Install one wall bracket for end of unit and install other bracket for opposite end of unit.
3. For 6 ft. or longer units three wall brackets are provided and one should be installed for center of the point. After brackets are installed remove top portion of the brackets. See sketch for bracket installation.
4. Select and remove 1/4" mounting knockouts from the back panel and mount to the brackets by using the nuts provided with brackets.
5. Bring power supply and wires in the wiring compartment at either end of heater using one of the knockouts.
6. Wire heater as shown on the wiring diagram.



### WIRING DIAGRAM FOR SINGLE UNITS



NOTE:  
BOTH ELEMENT LEADS  
ARE BLACK ON 208 & 240  
VOLT HEATERS.



### CAUTION:

1. For power supply use 90 degree C wire.
2. Do not block heater in any manner. Maintain at least 6" between the heater and drapery.
3. The heater is painted with special high temperature paint. The face should not be painted in the field with any other paint.

**IMPORTANT: OWNER SHOULD RETAIN THESE INSTRUCTIONS FOR FUTURE REFERENCE**

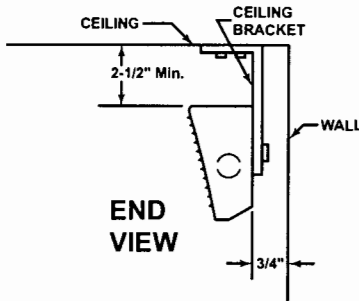
**MAINTENANCE:**

The face plate can be cleaned with damp cloth and mild detergent.

**ACCESSORIES:**

Ceiling Bracket -- catalog no. CVCDX

Install ceiling bracket similar to wall mounting brackets as explained in installation and wiring.



**BLANK SECTION: (CVD42X , CVD60X, CVD04X)**

1. Blank sections are available to fill space between the heaters.
2. Install blank sections similar to heater installation.
3. Cut blank sections to desired length and reattach end cap.