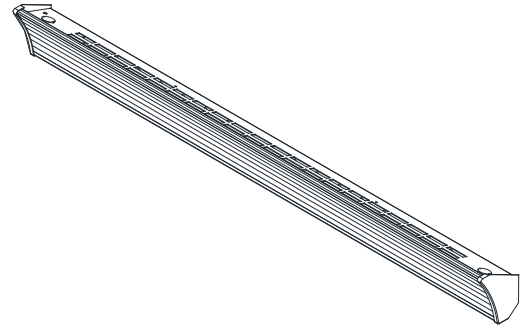




MADE IN THE U.S.A.

CVX SERIES RADIANT COVE CEILING HEATER

CUSTOMER		DATE:	
PROJECT			
LOCATION			
ARCHITECT			
ENGINEER			
CONTRACTOR			
SUBMITTED BY			
APPROVED BY			
APPROVED BY			



SUBMITTAL DATA SHEET

QTY	TAG	MODEL	VOLTS	WATTS	AMPS	LENGTH (IN)	ACCESSORIES
NOTES/SPECIAL INSTRUCTIONS:							

PRODUCT DESCRIPTION

Cove Heaters have a subtly contoured concave surface with a saw-tooth profile. The concave parabolic face plate performs a two-fold function: (1) it focuses the infrared rays and (2) directs the heat downward along cold perimeters and toward the center of the room. The sawtooth surface design increases the radiating surface area by 45%, thereby increasing the comfort level of the room faster and ensuring more rapid recovery from heat losses.

PRODUCT SPECIFICATIONS

Furnish and install Electric Cove Heaters where specified. The heaters shall be constructed of .096" thick Aluminum. The heater surface shall be concave in contour and saw-tooth in profile. The finish shall be of powder coat white finish. The heaters shall be available in ratings from 450 through 1250 Watts, at 120, 240, 208 and 277 Volts. The heating element shall be of Nichrome wire, embedded in Magnesium Oxide powder, enclosed and sealed in Aluminum metal tubing. The heater shall be listed by ETL and the elements shall be supplied with a one year limited warranty. Made in U.S.A.

STANDARD MODELS

MFG CATALOG NUMBER	MFG MODEL NUMBER	WATTS	BTUs	AMPS	VOLTS	LENGTH	WT. (lbs.)
04717102	CV3212X	325	1109	2.7	120	34"	7
04717202	CV32YX	325	1109	1.6	208	34"	7
04717302	CV32X	325	1109	1.4	240	34"	7
04717402	CV3227X	325	1109	1.2	277	34"	7
04575802	CV4512X	450	1536	3.8	120	42"	7
04575902	CV45X	450	1536	1.9	240	42"	7
04576002	CV45YX	450	1536	2.2	208	42"	7
04576102	CV4527X	450	1536	1.6	277	42"	7
04576202	CV6012X	600	2048	5.0	120	60"	10
04576302	CV60X	600	2048	2.5	240	60"	10
04576402	CV60YX	600	2048	2.9	208	60"	10
04576502	CV6027X	600	2048	2.2	277	60"	10
04576602	CV7512X	750	2560	6.3	120	72"	13
04576702	CV75X	750	2560	3.1	240	72"	13
04576802	CV75YX	750	2560	3.6	208	72"	13
04576902	CV7527X	750	2560	2.7	277	72"	13
04577002	CV9012X	900	3072	7.5	120	84"	14
04577102	CV90X	900	3072	3.8	240	84"	14
04577202	CV90YX	900	3072	4.3	208	84"	14
04577302	CV9027X	900	3072	3.2	277	84"	14
04577402	CV10012X	1000	3413	8.3	120	96"	17
04577502	CV100X	1000	3413	4.2	240	96"	17
04577602	CV100YX	1000	3413	4.8	208	96"	17
04577702	CV10027X	1000	3413	3.6	277	96"	17
04577802	CV11012X	1100	3754	9.2	120	108"	19
04577902	CV110X	1100	3754	4.6	240	108"	19
04578002	CV110YX	1100	3754	5.3	208	108"	19
04578102	CV11027X	1100	3754	4.0	277	108"	19
04578202	CV12512X	1250	4266	10.4	120	120"	21
04578302	CV125X	1250	4266	5.2	240	120"	21
04578402	CV125YX	1250	4266	6.0	208	120"	21
04578502	CV12527X	1250	4266	4.5	277	120"	21
INTERNATIONAL MODELS							
04711902	CV4522Xi	450	1536	2.0	220	42"	7
04712002	CV45Xi	450	1536	1.9	240	42"	7
04712102	CV6022Xi	600	2048	2.7	220	60"	10
04712202	CV60Xi	600	2048	2.5	240	60"	10
04712302	CV7522Xi	750	2560	3.4	220	72"	13
04712402	CV75Xi	750	2560	3.1	240	72"	13
04712502	CV9022Xi	900	3072	4.1	220	84"	14
04712602	CV90Xi	900	3072	3.8	240	84"	14
04712702	CV10022Xi	1000	3413	4.5	220	96"	17
04712802	CV100Xi	1000	3413	4.2	240	96"	17
04712902	CV11022Xi	1100	3754	5.0	220	108"	19
04713002	CV110Xi	1100	3754	4.6	240	108"	19
04713102	CV12522Xi	1250	4266	5.7	220	120"	21
04713202	CV125Xi	1250	4266	5.2	240	120"	21

ACCESSORIES

*Order 2 for units up to 72"
Order 3 for units over 72"

MFG CATALOG NUMBER	MFG MODEL NUMBER	DESCRIPTION	WT. (LBS)
04579202	CVCBX	Ceiling Bracket*	½
04578602	CVB42X	42" Blank Section	6
04578702	CVB60X	60" Blank Section	8
04578802	CVB84X	84" Blank Section	12
04579102	CVSP	Aerosol Touch-up Paint	1

DIMENSIONS

