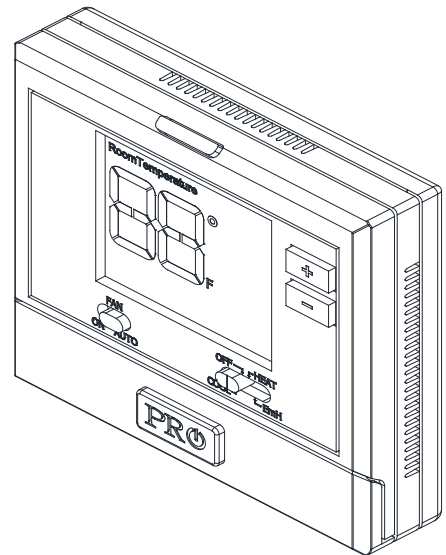


SALES ORDER NO.		QUOTE:	
CUSTOMER		DATE:	
PROJECT			
SALES REP			
ENGINEER			
CONTRACTOR			
SUBMITTED BY			
SUBMITTED BY			
APPROVED BY			
APPROVED BY			



SUBMITTAL DATA SHEET		
QUANTITY	MODEL	TAG
NOTES / SPECIAL INSTRUCTIONS:		

**FEATURES & SPECS**

- 4 sq. inch digital display screen
- Blue backlight
- Glow in the dark light button
- Easy access battery compartment
- Universal sub-base
- Simple private label badge system
- Setpoint limits
- Battery or hardwire power options
- Electric or gas configurable
- 5 minute compressor delay protection (selectable on or off)
- Customizable staging logic
- Separate heating and cooling swing (cycle rate) adjustments
- Filter change indicator
- Room temperature calibration adjustment
- Wall or junction box mounting
- 1 heat, 1 cool / 2 heat, 1 cool conventional
- Non-programmable
- Temperature range: 44°F - 90°F
- Warranty: 5 years

# DIMENSIONS:

