



MADE IN THE U.S.A.

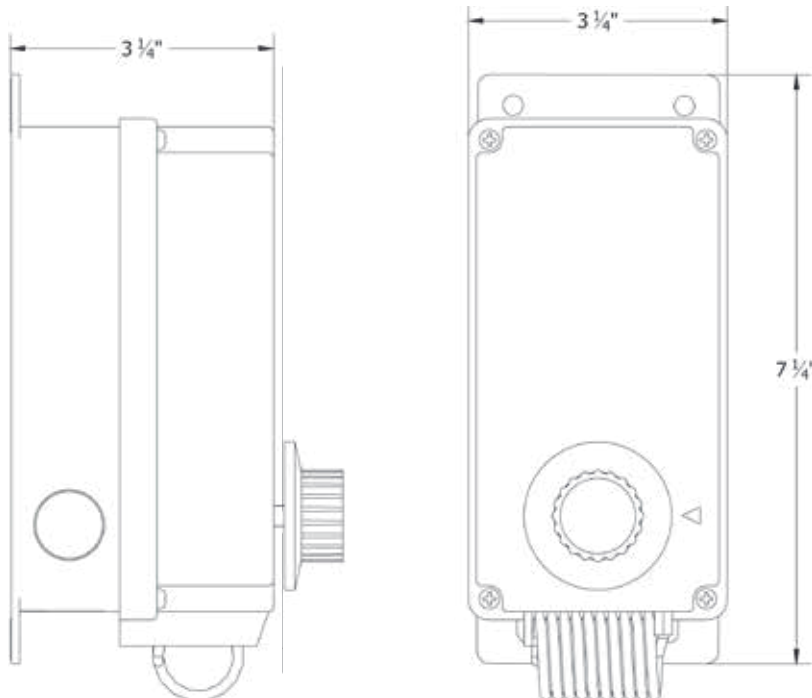
TW SERIES

Rain Tight Thermostats

SALES ORDER NO.		QUOTE:	
CUSTOMER		DATE:	
PROJECT			
SALES REP			
ENGINEER			
CONTRACTOR			
SUBMITTED BY			
SUBMITTED BY			
APPROVED BY			
APPROVED BY			



SUBMITTAL DATA SHEET						
QTY	MODEL	TAG	RANGE	CONNECTIONS	POS. OFF	ANTICIPATOR
NOTES/ SPECIAL						



Features:

- SPDT Model
- DPDT Model
- NEMA 4X Raintight
- Stainless steel hardware
- Capillary sensor
- 22 Amps @ 120-277 VAC
- 40°F - 100°F Range

Operational Specifications:

Setpoint Temperature Range

40-100°F

Rated Differential

2-4°F

Temperature Sensor

Capillary: Coil or 5' with bulb

Amp Rating (6' Cord & Plug)

13 Amps @ 125 VAC Res.

58.8 LRA @125 VAC

9.8FLA @ 125 VAC

Amp Rating (6" Leads)

22 Amps @ 125-250 VAC Res.

3/4 HP @ 125 VAC

1 1/2 HP @ 250/277 VAC

82.8 LRA @ 125 VAC

60 LRA @ 240 VAC

13.8 LRA @125 VAC

19 FLA @ 250 VAC



Model	PCN #	Description	Range	Sensor	Connections	Temp Scale
TW155A	05234202	SPDT Heat or Cool	40-100	Coil Capillary	6" wire Leads	C & F
TW155E	05234702	SPDT Heat or Cool	40-100	5' Capillary	6" wire Leads	C & F
TW255A	05234302	SPDT Heat or Cool	40-100	Coil Capillary	6" wire Leads	C & F
TW255D	05234402	2 Stg Ht, 1 Cl, or deadband	40-100	Coil Capillary	6" wire Leads	C & F
CTW155B	05234502	Heat Only with Cord	40-100	Coil Capillary	6' Cord	C & F
CTW155C	05234602	Cool Only with Cord	40-100	Coil Capillary	6' Cord	C & F

Packaging Data		Master Carton					Individual Carton			
Model	PCN #	QTY	Length	Width	Height	Weight	Length	Width	Height	Weight
TW155A	05234202	10	21"	10.5"	9.5"	14 lbs.	9"	4"	5"	2 lbs
TW155E	05234702	10	21"	10.5"	9.5"	14 lbs.	9"	4"	5"	2 lbs
TW255A	05234302	10	21"	10.5"	9.5"	14 lbs.	9"	4"	5"	2 lbs
TW255D	05234402	10	21"	10.5"	9.5"	14 lbs.	9"	4"	5"	2 lbs
CTW155B	05234502	10	21"	10.5"	9.5"	14 lbs.	9"	4"	5"	2 lbs
CTW155C	05234602	10	21"	10.5"	9.5"	14 lbs.	9"	4"	5"	2 lbs