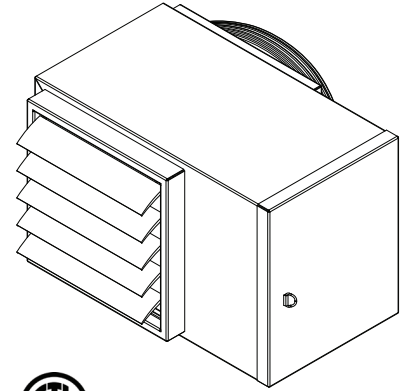


UH SERIES
UNIT HEATER

Select A Division:

- Heavy 18 gauge steel construction
- Powder coated paint finish
- Copper clad steel sheath element with brazed fins
- All units equipped with automatic over-heat limit protection
- Totally enclosed fan motors
- Louvers are individually adjustable for directional air flow
- Optional remote and unit mounted accessories include thermostats, disconnects, fan purge switches, and wall mounts
- Multiple mounting angles for specific horizontal air flow direction.

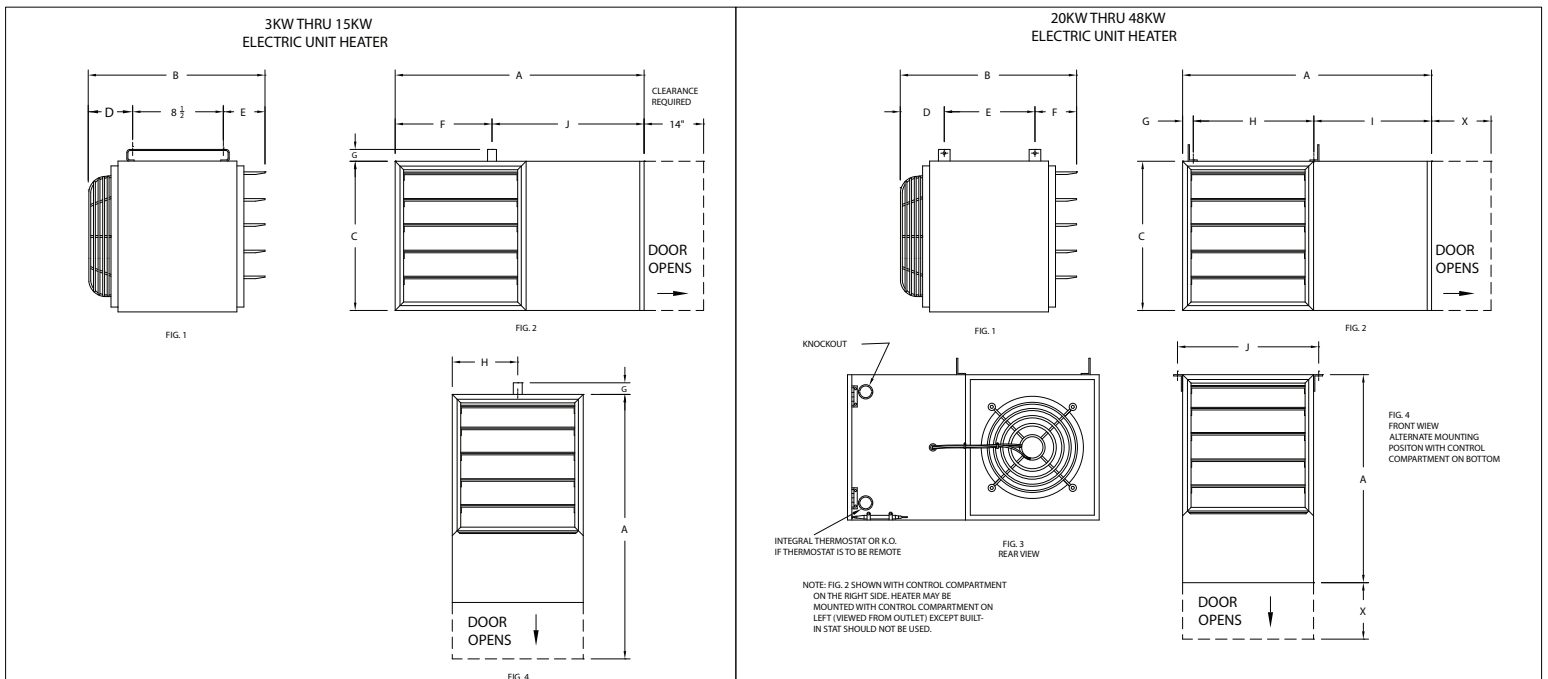


• Made in the U.S.A.



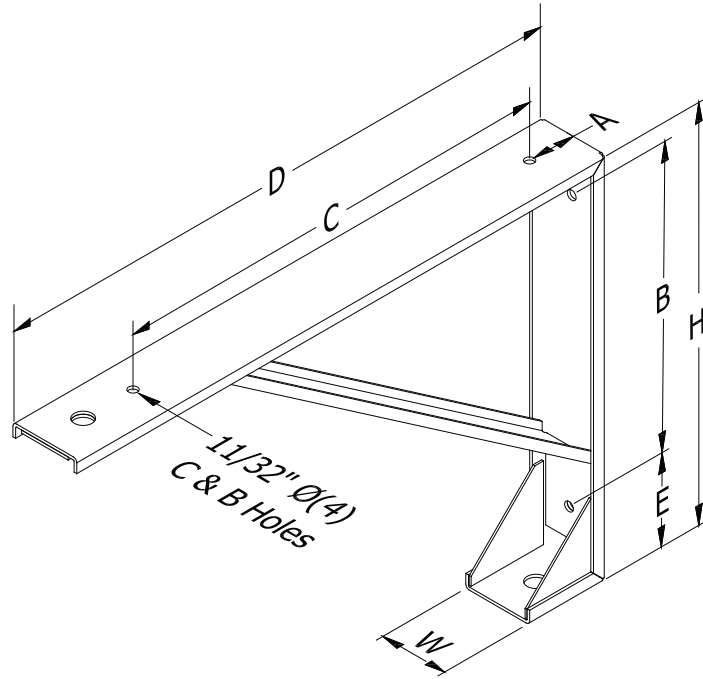
SUBMITTAL DATA SHEET

CUSTOMER				DATE	
PROJECT					
TAG					
QUANTITY					
MODEL					
VOLTS					
PHASE					
DISCONNECT					
THERMOSTAT					
BRACKET					
OPTIONS					
OPTIONS					



HEATER KW	A	B	C	D	E	F	G	H	I	J	X
3.5, 7.5, 10	20	18 3/4	13	5 7/8	4 3/4	9	1 5/8	6 1/2	N/A	11	N/A
12.5 & 15	22	21 1/4	15	8 3/8	4 3/4	10	1 5/8	7 1/2	N/A	11	N/A
20, 25, 30	24	28 1/2	17	9 7/8	14 1/2	4 1/8	1 1/4	15	7 3/4	17 3/4	19
35, 40, 48	26	34 1/2	19	9 7/8	20 1/2	4 1/8	1 1/4	18	6 3/4	19 3/4	25

UH SERIES
OPTIONS & ACCESSORIES



UHB BRACKETS									
HEATER KW	BRACKET	DIMENSIONS (IN.)							WEIGHT (LBS.)
		H	D	W	A	B	C	E	
3.3 -15	UHB-1	14 1/2	20 3/4	2 1/2	2 1/8	10 1/2	9 1/2	2	15
20 - 30	UHB-3	16	25	3 1/2	2 1/8	12	19 1/8	2	17
35 -48	UHB-4	17 1/2	28 3/4	3 1/2	2 1/8	13 1/2	19 7/8	2	20

SUFFIX	FACTORY INSTALLED OPTIONS
CA1F	HEAT PURGE FAN DELAY SWITCH & 24 VOLT CONTROL FOR 208, 2480, 277 VOLT UNITS
CA2F	HEAT PURGE FAN DELAY SWITCH & 120 VOLT CONTROL FOR 208, 2480, 277 VOLT UNITS
F	HEAT PURGE FAN CONTROL SWITCH FOR 480 VOLT UNITS
S	SUMMER FAN SWITCH
CA1	24 VOLT CONTROL FOR 3.3 - 15 KW UNITS
CA2	120 VOLT CONTROL FOR 3.3 - 15 KW UNITS
E	EPOXY PAINT COATING
T	IN-BUILT THERMOSTAT
D	DISCONNECT SWITCH

THERMOSTAT		
TUH1	40°-110° F	UNIT MOUNTED SINGLE POLE 25 AMP THERMOSTAT KIT (FIELD INSTALLED)
		REMOTE WALL MOUNTED THERMOSTATS MAY ALSO BE USED

DISCONNECT SWITCH

DISCONNECT SWITCH MUST BE DERATED FOR USE 80% OF TOTAL HEATER RATED AMPERAGE.
DISCONNECTS MAY BE FACTORY INSTALLED OR FIELD INSTALLED.

MAXIMUM RECOMMENDED MOUNTING HEIGHT	
KILOWATT	HEIGHT (FT.)
3 - 10	9
12 - 15	10
20 - 30	13
40 - 48	16

*MINIMUM MOUNTING HEIGHT IS 6'