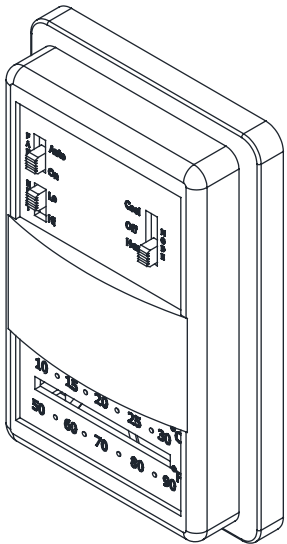


MADE IN THE U.S.A.

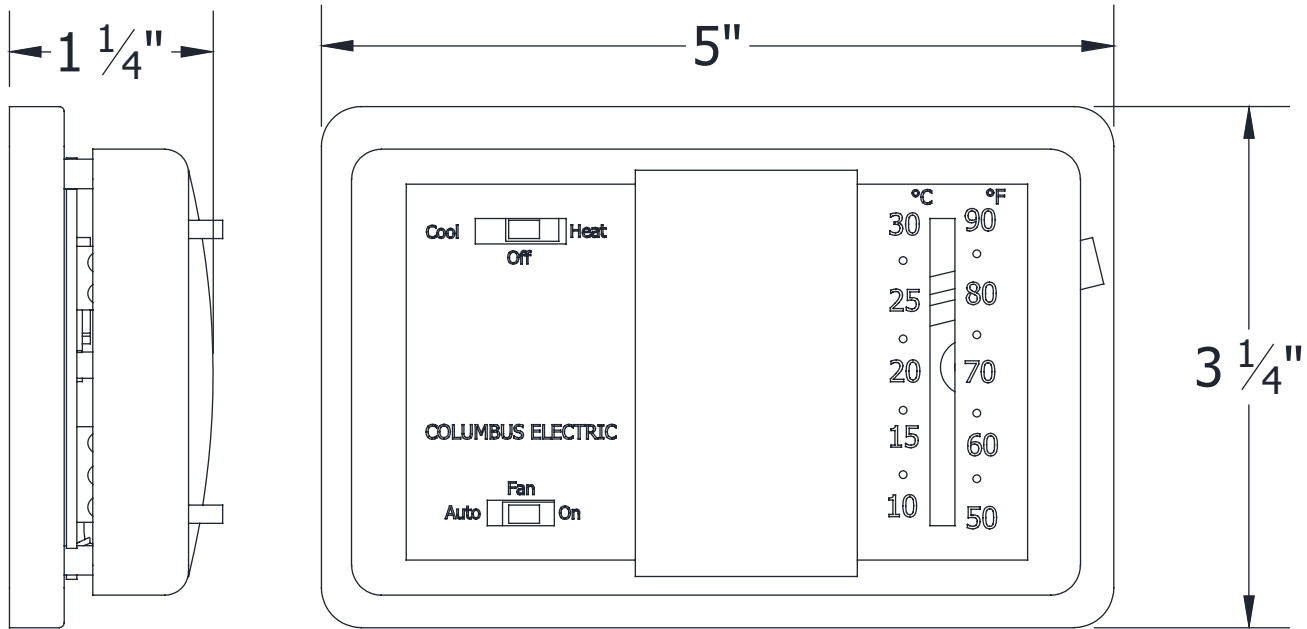
# UT SERIES

Low Voltage Thermostats

SALES ORDER NO.		QUOTE:	
CUSTOMER		DATE:	
PROJECT			
SALES REP			
ENGINEER			
CONTRACTOR			
SUBMITTED BY			
SUBMITTED BY			
APPROVED BY			
APPROVED BY			

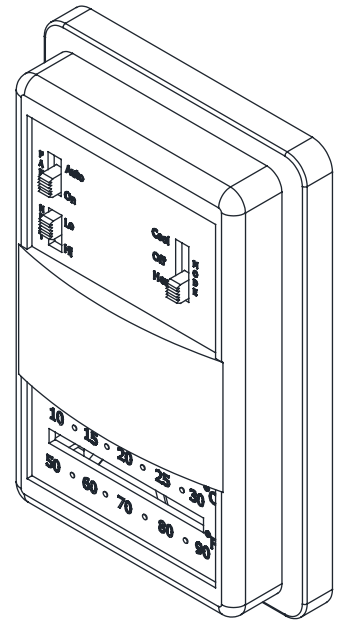
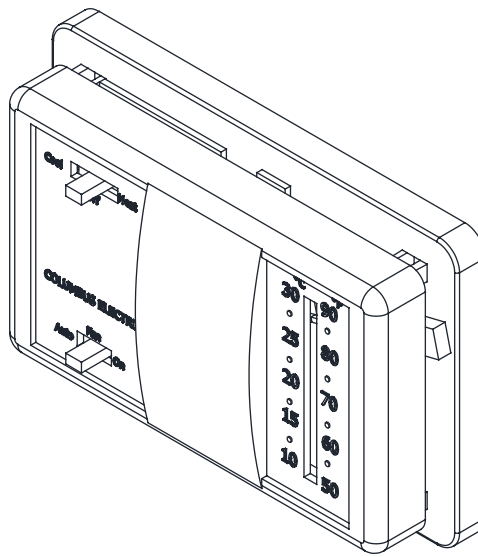


SUBMITTAL DATA SHEET						
QTY	MODEL	TAG	RANGE	CONNECTIONS	POS. OFF	ANTICIPATOR
NOTES/ SPECIAL						



**Features:**

- vertical or horizontal mounting
- 6 models
- long life sealed contacts
- leveling not required
- does not contain mercury
- Fahrenheit & Celsius temperature scales
- off-white product color



**Operational Specifications:**

**Setpoint Temperature Range**

50-90°F 10-32°C

**Rated Differential:**

2-3°F with anticipation

**Voltage:**

Millivolt, and 24 VAC (20-30V)

**Amp Rating**

1.0 Amp Max.

**Thermometer**

50-90°F Bi-metal

**Anticipation**

**Packaging Specifications:**

**Case Size**

3.25”H x 5”W x 1.38”D

**Individual Carton Size**

5.25”L x 3.38”W x 1.5”D

**Individual Carton Weight**

4.6 OZ

**Master Carton Qty**

50 Pcs

**Master Carton Size**

19”L x 11.5”W x 9”H Master

**Carton Weight**

17 LBS

MODEL	PCN #	DESCRIPTION	VOLTAGE	RANGE	TERMINALS	ANTICIPATOR	SWITCHES
UT1001	05230502	Heat only	24VAC & MV	50°-90°F	R & W	Yes	None
UT3001	05230602	Cool only	24 VAC	50°-90°F	R, Y & G	Yes	Cool/Off Fan/ Auto
UT5001	05231202	Single stage heat pump	24 VAC	50°-90°F	R, Y, G, B, O	Yes	Heat/Off/ Cool Fan/ Auto
UT6001	05231302	Deadband	24 VAC	50°-90°F	R, W & Y	Yes	None
UT8001	05230702	Heat/Cool	24 VAC	50°-90°F	RC, RH, W, Y, & G	Yes	Heat/Off/ Cool Fan/ Auto
UT8003	05235202	Heat/Cool Hotpod	24 VAC	50°-90°F	R, Y, G, W1, W2	Yes	Heat/Off/ Cool Fan/ Auto/Lo/Hi
UT9001	05231102	Heat only	Millivolt	50°-90°F	R & W	No	None